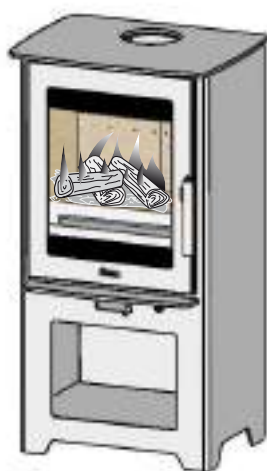
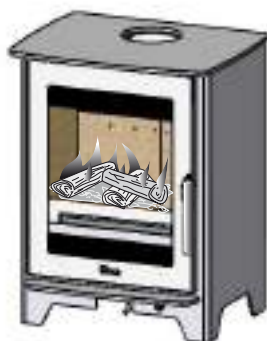


OPERATING AND INSTALLATION INSTRUCTIONS

INSPIRE 40-40H / 45-45H / 55-55H STOVE

is exempt for use in smoke control areas when burning dry wood



www.heta.dk

ECODESIGN READY



EN

DANISH DESIGN . DANISH QUALITY . DANISH PRODUCTION



Declaration of Performance EN

Regulation No. 305/2011
DOP-Inspire 40-40H 1858-2016

1. Unique identification code of product-type	Stove
2. Product name	Inspire 40-40H
3. Intended use or uses of the construction product, in accordance with the applicable technical specification	Room heater burning solid fuel without hot water supply
4. Name and contact address of the manufacturer	Heta A/S, Jupitervej 22, DK-7620 Lemvig. heta@heta.dk
5. Where applicable, name and contact address of authorized representative. E-mail.	Factory Manager Martin Bach, E-mail: martin.bach@heta.dk
6. System of assessment and verification of constancy of performance of the construction product	System 3
7. Notified body relevant to the assessment and verification of constancy of performance	Teknologisk Institut, DK-8000 Aarhus. Notified body No. 1235. Rapport nr. 300-ELAB-1858-EN-Rev. 1.

8. Declared Performance

Harmonized technical specification	EN 13240:2001/A2:2004
Emission	CO 0,09% / 1103 mg/Nm ³ Nox 92 mg/Nm ³ Dust 27 mg/Nm ³ Dust (NS3058/3059) 2,86 g/kg OGC (CEN/TS 15883) 123 mgC/Nm ³ ved 13% O ₂

Fire safety

Reaction to fire	A1
Test of fire safety in connection with the burning of wood	Approved
Distance to combustible materials	Minimum distances in mm
Rear	120/190
Sides distance to combustible materials	340/400
Distance to floor from lower edge of the door	170
Furniture distance	900

Safety

Mechanical resistance (to carry a chimney / flue)	Not tested (NPD)
Electrical safety	NA
Surface temperature	Approved
Cleanability	No specification

Thermal output

Nominal heat output	4,5 kW
Room heat output	4,5 kW
Energy efficiency	η 81%
Fluegas temperature at nominal heat output	T 262°C
Water heating output	NA
Maximum water operating pressure	NA

9.

The performance of the product identified in points 1 and 2 is in conformity with the declared performance in point 8. This declaration of performance is issued under the sole responsibility of the manufacturer.

Signed on behalf the manufacturer of

18.08.2016

Heta A/s
JUPITERVEJ 22 - DK-7620 LEMVIG
Tlf. +45 9663 0600 - Fax +45 9663 0816
Martin Bach

In case of any change of the above-mentioned production type this Declaration of Performance becomes invalid.
Heta A/S, Jupitervej 22, DK-7620 Lemvig, Tlf. +45 9663 0600, www.heta.dk



Declaration of Performance EN

Regulation No. 305/2011
DOP-Inspire 45-45H 1987-2016

1. Unique identification code of product-type	Stove
2. Product name	Inspire 45-45H
3. Intended use or uses of the construction product, in accordance with the applicable technical specification	Room heater burning solid fuel without hot water supply
4. Name and contact address of the manufacturer	Heta A/S, Jupitervej 22, DK-7620 Lemvig. heta@heta.dk
5. Where applicable, name and contact address of authorized representative. E-mail.	Factory Manager Martin Bach, E-mail: martin.bach@heta.dk
6. System of assessment and verification of constancy of performance of the construction product	System 3
7. Notified body relevant to the assessment and verification of constancy of performance	Teknologisk Institut, DK-8000 Aarhus. Notified body No. 1235. Rapport nr. 300-ELAB-1987-EN-Rev. 1.

8. Declared Performance

Harmonized technical specification	EN 13240:2001/A2:2004										
Emission	<table> <tr> <td>CO</td> <td>0,08% / 1052 mg/Nm³</td> </tr> <tr> <td>Nox</td> <td>115 mg/Nm³</td> </tr> <tr> <td>Dust</td> <td>8 mg/Nm³</td> </tr> <tr> <td>Dust (NS3058/3059)</td> <td>1,89 g/kg</td> </tr> <tr> <td>OGC (CEN/TS 15883)</td> <td>74 mgC/Nm³ ved 13% O₂</td> </tr> </table>	CO	0,08% / 1052 mg/Nm ³	Nox	115 mg/Nm ³	Dust	8 mg/Nm ³	Dust (NS3058/3059)	1,89 g/kg	OGC (CEN/TS 15883)	74 mgC/Nm ³ ved 13% O ₂
CO	0,08% / 1052 mg/Nm ³										
Nox	115 mg/Nm ³										
Dust	8 mg/Nm ³										
Dust (NS3058/3059)	1,89 g/kg										
OGC (CEN/TS 15883)	74 mgC/Nm ³ ved 13% O ₂										

Fire safety

Reaction to fire	A1
Test of fire safety in connection with the burning of wood	Approved
Distance to combustible materials	Minimum distances in mm
Rear	150/195
Sides distance to combustible materials	300
Distance to floor from lower edge of the door	120
Furniture distance	860

Safety

Mechanical resistance (to carry a chimney / flue)	Not tested (NPD)
Electrical safety	NA
Surface temperature	Approved
Cleanability	No specification

Thermal output

Nominal heat output	4,5 kW
Room heat output	4,5 kW
Energy efficiency	η 84%
Fluegas temperature at nominal heat output	T 221°C
Water heating output	NA
Maximum water operating pressure	NA

9.

The performance of the product identified in points 1 and 2 is in conformity with the declared performance in point 8. This declaration of performance is issued under the sole responsibility of the manufacturer.

Signed on behalf the manufacturer of

19.09.2016

 Heta A/s
JUPITERVEJ 22 - DK-7620 LEMVIG
TLF. +45 9663 0600 - FAX +45 9663 0616
Martin Bach

In case of any change of the above-mentioned production type this Declaration of Performance becomes invalid.
Heta A/S, Jupitervej 22, DK-7620 Lemvig, Tlf. +45 9663 0600, www.heta.dk



Declaration of Performance EN

Regulation No. 305/2011
DOP-Inspire 55-55H 3900-2016

1. Unique identification code of product-type	Stove
2. Product name	Inspire 55-55H
3. Intended use or uses of the construction product, in accordance with the applicable technical specification	Room heater burning solid fuel without hot water supply
4. Name and contact address of the manufacturer	Heta A/S, Jupitervej 22, DK-7620 Lemvig. heta@heta.dk
5. Where applicable, name and contact address of authorized representative. E-mail.	Factory Manager Martin Bach, E-mail: martin.bach@heta.dk
6. System of assessment and verification of constancy of performance of the construction product	System 3
7. Notified body relevant to the assessment and verification of constancy of performance	RRF Rhein-Ruhr feuerstätten Prüfstelle GmbH. 46047 Oberhausen, Deutschland Notified body No. NB 1625 Rapport nr. RRF 40 14 3900

8. Declared Performance

Harmonized technical specification	EN 13240:2001/A2:2004
Emission	CO 0,1% / 1250 mg/Nm ³ Nox 130 mg/Nm ³ Dust 28 mg/Nm ³ Dust (NS3058/3059) 1,97 g/kg OGC (CEN/TS 15883) 100 mgC/Nm ³ ved 13% O ₂

Fire safety

Reaction to fire	A1
Test of fire safety in connection with the burning of wood	Approved
Distance to combustible materials	Minimum distances in mm
Rear	150/220
Sides distance to combustible materials	420
Distance to floor from lower edge of the door	430
Furniture distance	1200

Safety

Mechanical resistance (to carry a chimney / flue)	Not tested (NPD)
Electrical safety	NA
Surface temperature	Approved
Cleanability	No specification

Thermal output

Nominal heat output	6,3 kW
Room heat output	6,3 kW
Energy efficiency	η 80%
Fluegas temperature at nominal heat output	T 263°C
Water heating output	NA
Maximum water operating pressure	NA

9.

The performance of the product identified in points 1 and 2 is in conformity with the declared performance in point 8. This declaration of performance is issued under the sole responsibility of the manufacturer.

Signed on behalf the manufacturer of

18.08.2016

Heta A/s
JUPITERVEJ 22 - DK-7620 LEMVIG
TLF +45 9663 0600 - FAX +45 9663 0616
Martin Bach

In case of any change of the above-mentioned production type this Declaration of Performance becomes invalid.
Heta A/S, Jupitervej 22, DK-7620 Lemvig, Tlf. +45 9663 0600, www.heta.dk

Congratulations on your new wood stove, we are confident that you will be more than satisfied with your new Heta stove. Especially if you follow the following advice and instructions.

Inspire 40-40H, 45-45H and 55-55H wood stoves are approved according to EN 13240, NS 3058 and 3059. These approvals, means that the wood stove meets a variety of specifications and requirements, ensuring it is made of quality materials, minimum environmental impact and that it has an optimum fuel economy.

Operating Instructions Contents

Declaration of Performance	2-4
Before installation.....	6-7
1. Operating instructions.....	8
1.1 Before using.....	8
1.2 First firing	8
1.3 Regulating the airflow	8
1.4 Lighting the stove.....	8
1.5 Refueling	8
1.6 Emptying the ash	9
1.7 Reduced burning.....	9
1.8 Risk of explosion.....	9
1.9 Draft conditions in the chimney	10
1.10 Fuel.....	10
1.11 Operating problems	11
1.12 Chimney fires	12
1.13 Troubleshooting	13
1.14 Maintenance.....	13
1.15 Cleaning the glass.....	13
1.16 Maintenance schedule	13
1.17 Cleaning/Replacing bicks after chimney sweeping	14
1.18 Parts Inspire 40-40H	15
1.19 Parts Inspire 45-45H	16
1.20 Parts Inspire 55-55H	17
1.21 Stove data table EN 13240	18
1.22 Garantee.....	18
2. Installation Instructions	19

Heta A/S

Jupitervej 22,
DK-7620 Lemvig
Phone: +45 9663 0600
E-mail: heta@heta.dk

Copyright © 2014
Heta is a registered
trademark of Heta A/S

Printed in Denmark
Subject to printing errors
and changes.

24.02.2021
0037-1395 Version 3,6

BEFORE INSTALLATION

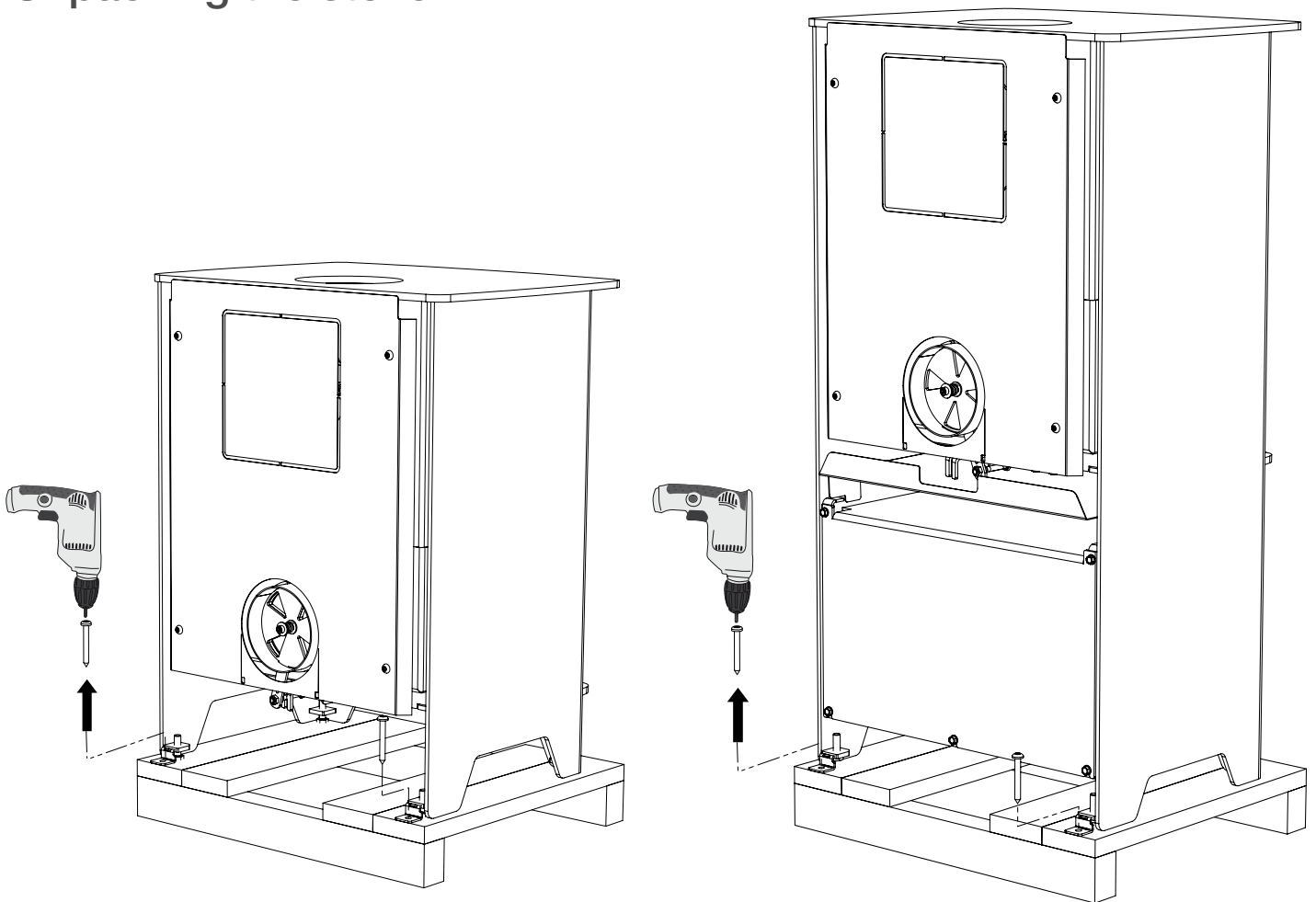
Heta wood stoves are quality products, therefore, your first impression is very important! We have a good logistics network, which transports Heta products with great care for our dealers. Nevertheless, when in transport or handling, damage of the often-heavy stoves can occur. It is important that upon receipt check your Heta product completely and report any damage or defects to your dealer.

The packaging must be disposed of as follows:


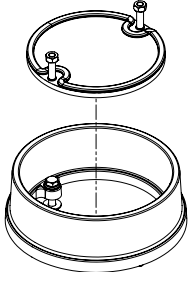

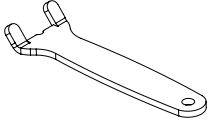
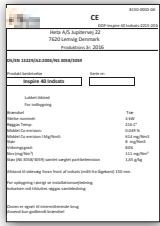
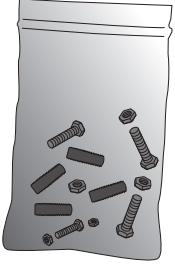

Wood is untreated and able to burn in the stove.

Plastic and cardboard you can drop off at your local recycling center.

Unpacking the stove



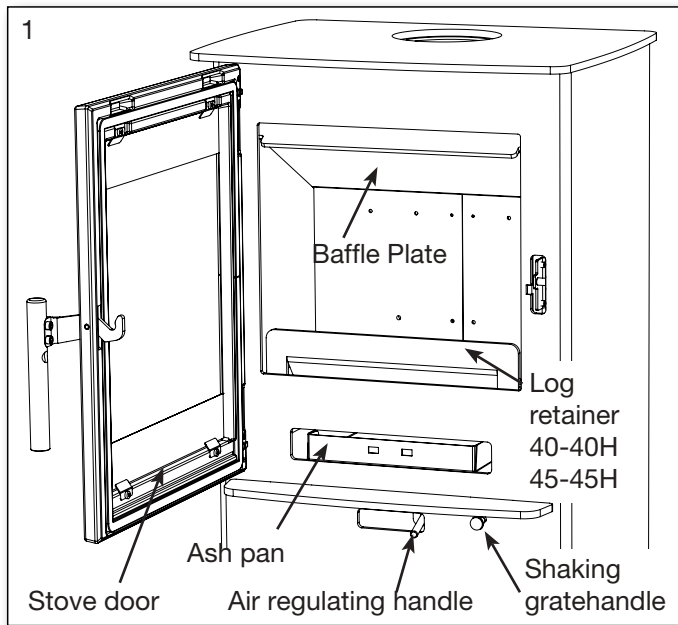
With your new wood stove you should find the following:

<p>Operating / Instruction manual</p>		<p>Flue collar set 5032 0026</p> <p>Outlet cover 4012 0005</p> <p>Flue collar 4025 0007</p>	
<p>Heta glove</p>		<p>Ash pan handle 1020-0001</p>	
<p>Data plate</p>		<p>2 x M8x25 0008-0206 2 x M6x30 0008-1118 2 x Washer 0008-0501 2 x Nuts 0008-1402</p>	
<p>Q.C. check Standard V1,30</p>		<p style="text-align: center;">Required tools are not supplied.</p>	

1. OPERATING INSTRUCTIONS

1.1 Before using

Before the wood stove is used make sure required installation conditions, are met. See page 19.



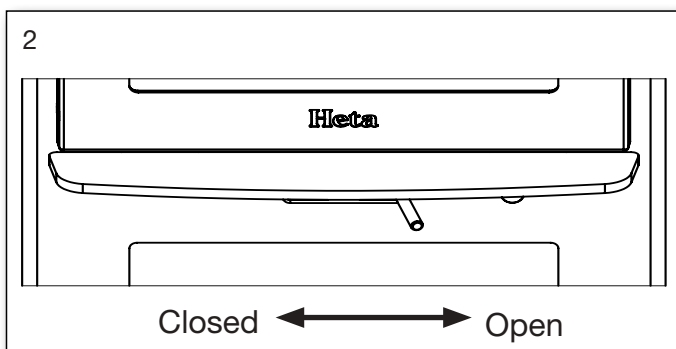
1.2 First firing

The stove paint is fully cured from the factory, but a minor unpleasant odour could still arise.

1.3 Regulating the air flow

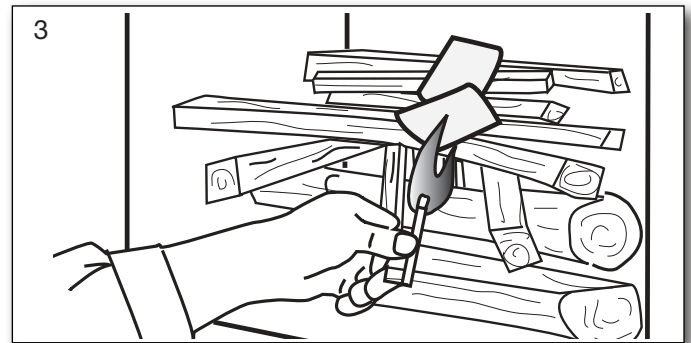
The stoves combustion air is regulated by means of a handle below the firing door.

The air is full open to the right, closed to the left.



1.4 Lighting the stove

Place two pieces of wood on the bottom. Stack kindling on top in layers with air between. Set fire starter (bag, brick, paraffin) on the top, now you are ready to light the fuel. The flames must work from the top down.



The use of lighter fluid, oils or any liquid fuels is strictly forbidden from use in a wood stove.

Fully open the combustion air into the start-up air position and the door ajar (about one cm open). Once the fire is established and the chimney is hot (after about 3-5 minutes) closed door and regulate the air into operating position. We recommend, all of the first fuel is burned with the combustion air fully open in the operating position. This ensures the stove and chimney are thoroughly heated.



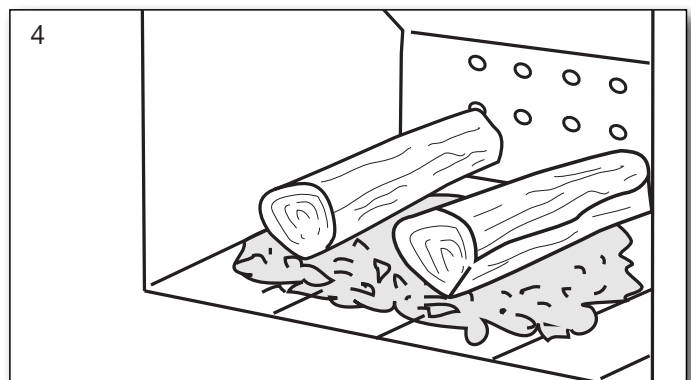
Startup/Lighting

Scan the code and select a language.

1.5 Refueling

Refueling of your stove should be done while there is still a good layer of embers. Distribute the embers with the majority of them to the front. Place pieces of wood equivalent to about 1 kg on top of the embers perpendicular to the door. Now open the combustion air completely. If the stove and/or chimney cools down too much, it may be necessary to use the start-up air and possibly have the door ajar.

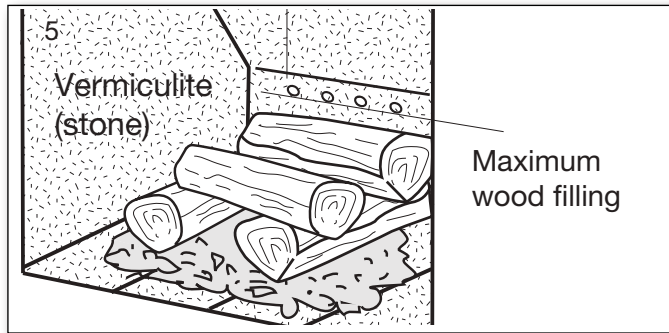
The wood will then ignite within a very short time (Typically 1 to 3 minutes). Once the fuel is ignited. Close the door and regulate the air back to open.



rating air. When the fire is well established, you can now regulate the operating air to the desired combustion level.

Rated output (see DOP of page 2) measured when the combustion air is about 80% open.

Ensure when refueling that the wood is not too close, it will cause poorer combustion, less heat out-put and lower efficiency.



The fuel load, must be maintained below the top series of air holes and within the outer vent in each side. Fig. 5

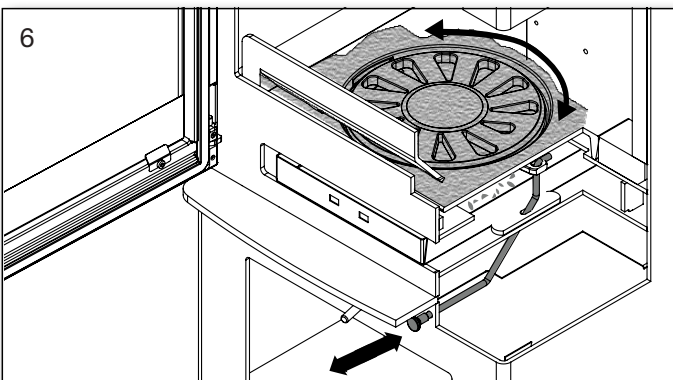


When refueling be careful to place the fuel into the combustion chamber gently, (use the provided glove). By not doing so you risk cracking or breaking the vermiculite.

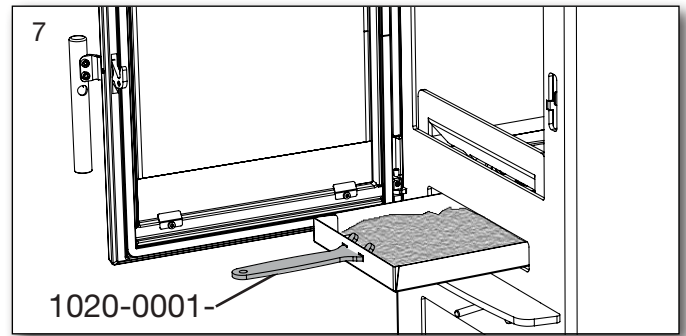
If there is reduced draft in the chimney, we recommend opening a window at stoking. This will give better ventilation to the room and more oxygen for combustion.

1.6 Emptying the ash

By using the shaker grate, it rotates back and forth so the ash falls through the holes and into the ashtray, see Fig. 6. It is advantageous to leave a layer of ash in the bottom of the combustion chamber on top of the grate as insulation.



For emptying the ash pan - use the supplied handles 1020-0001 use of the ashtray tool, see Fig. 7.



It is an advantage for the next firing to leave a layer of ash lying in the bottom of the firebox.



Be careful when emptying the ashes out. There can be hot embers left for a long time.

1.7 Reduced burning

The stove is, designed for intermittent use.

It is important to maintain the layer of hot embers. Lower heat out-put occurs when no flames come from the tree, when it becomes glowing charcoal.

If you are looking for less heat out-put, achieve this by fueling with smaller volumes of wood and a lower operating air. You may not completely close the operating air during firing.

Be aware that the stove will naturally soot if the operating air is too low. This is not good for the environment. There is also a risk for the glass, the chimney and other parts will become sooted.

By a combination of the above and possibly burning damp wood. Can lead to high levels of soot that it becomes sticky. Causing the sealing of the door to tear off when opening the door the next day.

1.8 Explosion!!!



It is very important never to leave The stove after start up or refueling, before the fire is established. (Typically 1 to 3 minutes)

Explosion can occur if filled with too much fuel in the stove, the production of large volumes of gas, which can explode if the air supply becomes too low.

Warning!



One must always use caution around the stove seen, as it gets very warm during use. (In excess of 90° C).

Children should avoid contact with the stove.

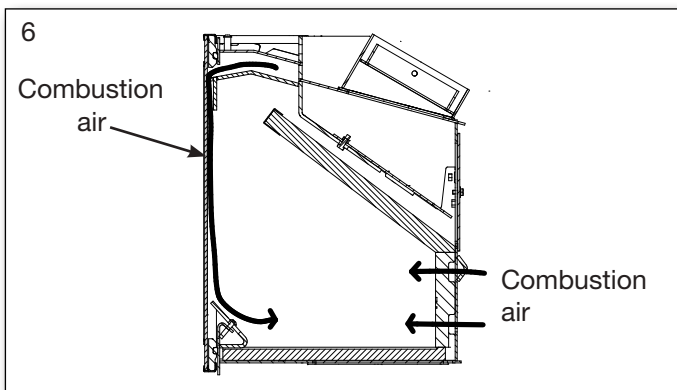
Setting up a fence if you have small children may be necessary.

Do not place flammable objects like drying racks, furniture, curtains too close to the stove.

1.9 Draft conditions and the chimney

Poor draft will not allow the stove to burn, as it should. The glass can soot, requires cleaning of the chimney more often, smoke can escape out when the door is open and it gives poor fuel efficiency. Leading to unnecessary polluting of the environment.

Good draft will allow the stove to achieve optimal combustion and the highest possible efficiency. Heta wood stoves are constructed so that it itself provides an optimal blend of combustion air. This provides a high efficiency/heat, clean glass and low environmental impact.



Minimum chimney draft for Inspire 40-40H: 13 pascal, Inspire 45-45H: 12 pascal and Inspire 55-55H: 12 pascal.

It is the draft that the stove has been tested and approved on. The minimum draft is necessary to provide clean burning, beautiful flame picture, as well as achieving the rated efficiency.

There is a risk of smoke escaping into the room if the door is opened during vigorous firing, or if there is a lack of air supply to the room, for ex. if an extraction fan is in use.

Flue gas temperature at the rated output is for
Inspire 40-45H 263°C, relative to 20°C
Inspire 45-45H 221°C, relative to 20°C
Inspire 55-55H 263°C, relative to 20°C.

Flue gas flow is:

Inspire 40-40H: 3,7 g/sec.

Inspire 45-45H: 4,1 g/sec.

Inspire 55-55H: 5,7 g/sec.

The chimney height and diameter, as well as the temperature difference between the flue gas and outside temperature generates the chimney draft. Chimney insulation is therefore important as new efficient stoves create lower flue temperatures. Wind and weather conditions also influence draft, in some cases it may be disadvantageous wind direction, combined with the position of the chimney can cause negative draft (it blows through the chimney), causing smoke escape from the stove.

Before using after a long period of inactivity, check that the chimney is free for any blockages. (soot build-up, bird nests, leaves etc.).

Reduced draft can occur when:

- The temperature difference is too small between smoke gasses and outdoor temperature, for ex. poorly insulated chimney
- Too short of a chimney
- The outside temperature is high, and indoor temperature is low f. ex. in summer
- False air in the chimney
- Chimney is blocked
- Air tight house (lack of combustion air supply)
- Poorly placed chimney for the surroundings, for ex. the ridge and trees may cause turbulence

Good draft occurs when:

- The difference in temperature in the chimney (warmer) and outside temperature (colder)
- It is clear weather
- The chimney has the right height min 4 meters above the stove, and clear of the roof ridge

1.10 Fuel

Your new stove is EN approved for firing with wood fuel. You must therefore only burn clean, dry wood in your stove. Never use your stove to burn driftwood, as this may contain a lot of salt which can damage both the stove and the

chimney. Similarly, you must not fire your stove with refuse, painted wood, pressure-impregnated wood or chipboard, as these materials can emit poisonous fumes and smoke.

Correct firing using well seasoned wood provides optimal heat output and maximum efficiency. At the same time, correct firing prevents environmental damage in the form of smoke emissions and reduces the risk of chimney fires.

If the wood is damp and inadequately seasoned, a large proportion of the energy in the fuel will be used to vaporize the water, and this will all disappear up the chimney. Thus, it is important to use dry, well seasoned wood, i.e. wood with a moisture content of less than 20 %. Achieve this by storing the wood for 1–2 years before use.

Pieces of firewood with a diameter of more than 10 cm should be split before storing. The pieces of firewood should be of an appropriate length (approx. 19-25 cm) so that they can lie flat on the bed of embers.

If you store your wood outdoors, it is best to cover it.

Examples of fuel values

for different woods and their typical densities per cubic meter, specified for 100% wood with a moisture content of 18%.

Wood	kg/m ³	Wood	kg/m ³
Beech	710	Willow	560
Oak	700	Alder	540
Ash	700	Scotch pine	520
Elm	690	Larch	520
Maple	660	Lime	510
Birch	620	Spruce	450
Mountain pine	600	Poplar	450

It is advised not to use oil-containing woods like teak tree and mahogany, as this can cause damage to the glass.

Heating value in wood

You have to use about 2.4 kg normal wood to replace one litre of heating oil. All woods have almost the same heating value per kg, which is about 5.27 kW/hour for absolute dry wood.

Wood with a moistness of 18% has a efficiency of about 4.18 kW / hour per kg, and one litre heating oil contains about 10 kW / hour.

CO₂ release

At combustion 1000 litres of heating oil forms 3.171 tons CO₂. As wood is a CO₂ neutral heat/energy source, you save the environment about 1.3 kg CO₂ every time you have used 1 kg normal wood.

1.11 Operational problems

The chimney must be swept at least once a year, we recommend the use of a NACS (national association of chimney sweeps) registered chimney sweep.

In the event of smoke or malodorous fumes are being produced, you must first check to see whether the chimney is blocked.

The chimney must, of course, always provide the minimum draft necessary to ensure that it is possible to regulate the fire. Please note, however, that chimney draft is dependent on the weather conditions. In high winds, the draft can become so powerful that it may be necessary to fit a damper in the flue gas pipe to regulate the draft.

When cleaning the chimney, soot and other deposits may come to fall on the baffle plate, remove and clean it. In cases where the wood burns too quickly, this may be due to excessive chimney draft. You should also check to make sure that the door seal and ash pan seal is intact and correctly fitting.

If the stove is generating too little heat, this may be because you are firing with wet wood. In this case, much of the heating energy is used to dry the wood, resulting in poor efficiency, potentially damaging the vermiculite and an increased risk of soot deposits in the chimney.

1.12 Chimney fire

In case of a chimney fire, which often results from incorrect operation/maintenance or prolonged use of damp wood, close the door and the air supply completely, to help slow/smother the fire.

Call the fire department.

The stove and chimney must be inspected before use again.

1.13 Troubleshooting table

Fault	Cause	Troubleshooting	Solution
Lighting problems. When the stove is cold, smoke seeps into the room. Once the combustion chamber has heated up, the stove burns well.	Inadequate chimney draft. The chimney only has sufficient draft when it is hot.	You can test using a lighter whether flame is drawn into the combustion chamber.	Improve the chimney.
The stove burns poorly after the warm-up phase, and the glass slowly soots up.	Soot in the flue pipe.	Check the flue pipe regularly, as the problem arises slowly.	Clean regularly, and limit the use of horizontal flue pipes. Do not use firewood which generates large quantities of ash.
If the stove burns poorly after start-up, and the glass slowly soots up.	Inadequate chimney draft.	The fault usually already occurs during lighting. Measure the chimney draft.	Improve the chimney draft.
	Insufficient air supply.	Check the air supply.	Read the operating instructions and instruct all users.
	Damp wood.	Use clean, dry wood with a maximum moisture content of 20%.	Firewood should ideally be dried for at least one year after splitting.
	Firewood pieces too large.	The optimum size is a length of 25 cm and max. diameter of 10 cm.	Use smaller pieces of firewood.
	Insufficient air supply to the room. Range hoods, airtight windows, etc.	Ensure there is sufficient fresh air supply, open a window, check the outdoor air supply.	Depending on the cause, windows must be opened or the outdoor air connection cleaned.
	Insufficient air supply to the room. Range hoods, airtight windows, etc	Ensure there is sufficient fresh air supply, open a window, check the outdoor air supply.	Depending on the cause, windows must be opened or the outdoor air connection cleaned.
The vermiculite in the combustion chamber is becoming very worn.	Wood and flue gases wear down the vermiculite.	Investigate whether the wear is normal.	Normal wear and minor cracks are of no significance. It should be replaced when the steel of the combustion chamber is visible.
Too rapid combustion.	Too much chimney draft.	To test, you can open the cleaning hatch, but remember to close it again.	Measure the chimney draft and install a damper in the flue pipe if necessary.
	The door or ash pan/drawer seal is defective.	While cold, close a piece of paper in the door – the seal should hold the paper gently in place so it does not fall out by itself. Normal wear.	Replace the seal.
The vermiculite in the combustion chamber is cracked.	Shocks or impacts while adding firewood.	Normal wear	Cracks only have cosmetic significance. Replace when the steel of the combustion chamber is visible.
Steel surfaces in the combustion chamber have oxidised.	The temperature in the combustion chamber is too high.	Unsuitable fuel is being used (such as coal). Check the quantity of firewood being used, read the operating instructions.	If there are clear cracks or weaknesses in the stove body, it must be replaced.
The stove whistles	Too much chimney draft	To test, you can open the cleaning hatch, but remember to close it again.	Install a damper.
The stove 'clunks'	Usually due to tension in the metal plates.	Generally only occurs while heating up and cooling down.	Adjust the metal plates.
The stove ticks	Normal expansion and contraction due to temperature changes.	A normal sound.	Ensure that the temperature in the combustion chamber is as constant as possible.
The stove creaks.	The temperature in the combustion chamber is too high.	Use less firewood. Also check the seal in the ash pan/drawer.	See the operating instructions.
The stove smells. The surface is steaming.	The paint on the stove surface is not yet fully hardened.	See the operating instructions regarding the first firing.	Ensure there is sufficient ventilation.
Condensation in the combustion chamber.	Moisture in the vermiculite.	Check the condition of the vermiculite.	Evaporates by itself after the stove has been lit a few times.
	Damp wood.	Measure the moisture content.	Use dry firewood.
Condensation from the flue pipe.	The pipe is too long or the chimney is too cold.	Check the flue pipe's length and heat loss.	Improve the flue pipe, insulate the chimney.
	Damp wood	Measure the moisture content.	Use dry firewood.

1.14 Maintenance

The surface of the stove is treated with a heat-resistant paint. The stove should be cleaned with a damp cloth.

Any damage to the surface in the form of chips or scratches can be repaired using touch-up paint, which is available in spray cans.

1.15 Cleaning the glass

Incorrect firing, for example using wet wood, can result in the viewing window becoming covered in soot. This soot can be easily and effectively removed by using proprietary stove glass cleaner.

1.16 Diagram for the maintenance

Maintenance / Period	Stove Owner					Qualified Technicia	
	Before Autum	Daily	2-3 days	30 days	60-90 days	1st Year	2st Year
Cleaning the chimney (see. Chimney)	C						
Cleaning the chimney and stove	C				C		
Cleaning the stoves firebox	C	VI			C		
Cleaning combustion air intake	C				C		
Cleaning ash bucket (small)	C	VI	VI				
Cleaning ash bucket 8 Liter	C		VI	C			
Cleaning of the firebox	C	VI		C			
Checking / switch, gasket for door	C/S	VI					C/S
Checking / changing, gasket for glass	C/S	VI					C/S
Checking / switch, gasket for ashpan	C/S	VI					C/S
Checking / changing gasket for flue pipe	C/S	VI					C/S
Checking / changing vermiculite	C/S	VI					C/S
Lubricate hinges	L	VI			L		
Lubricate lock	L	VI			L		

For the lubricant used a heat-resistant product. (300c)

C = Cleaning

C/S = Checking /Switch

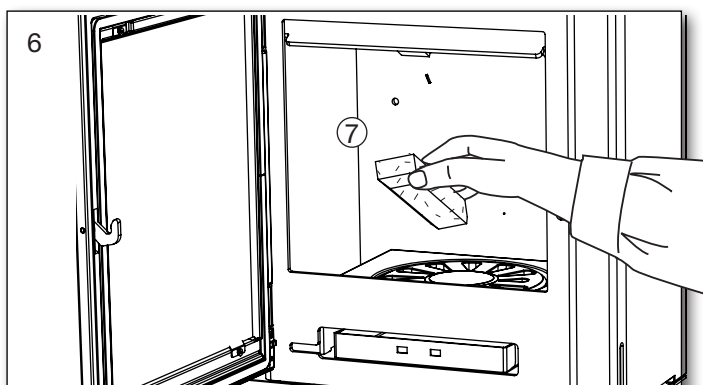
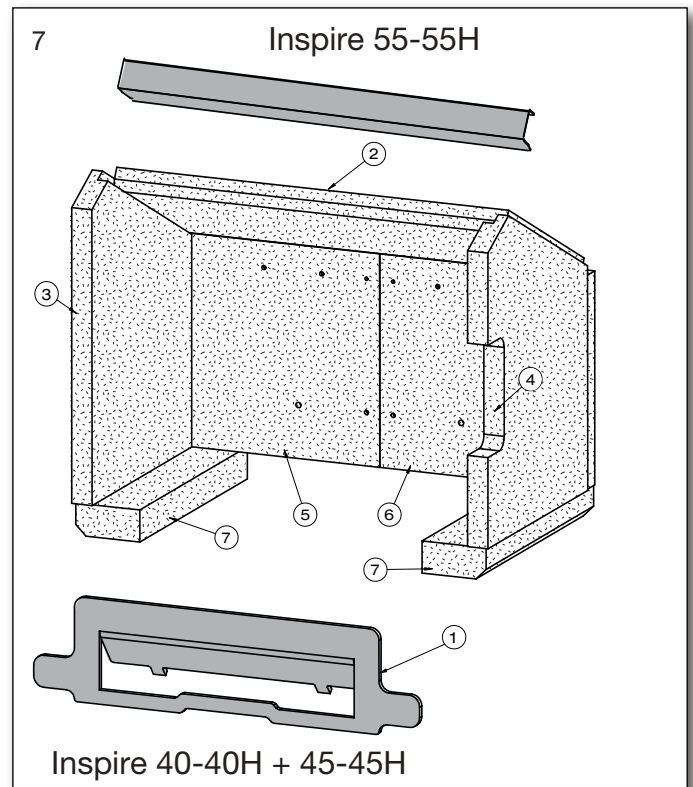
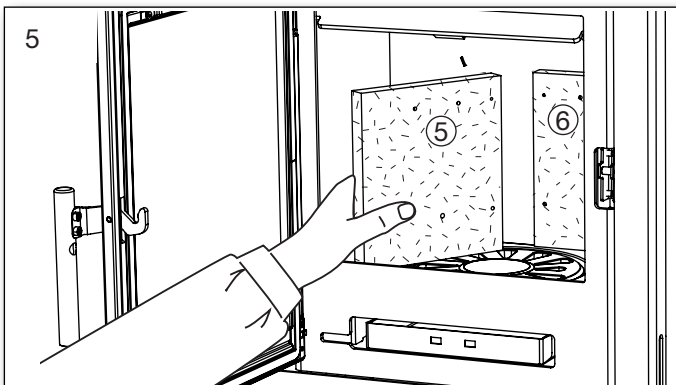
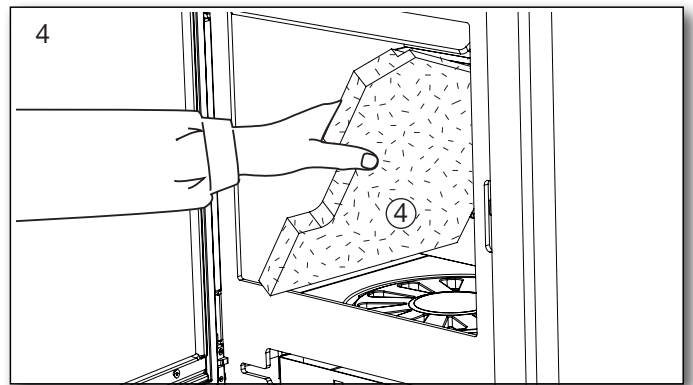
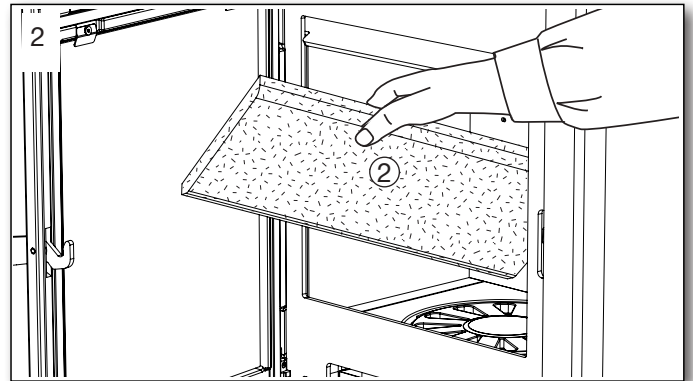
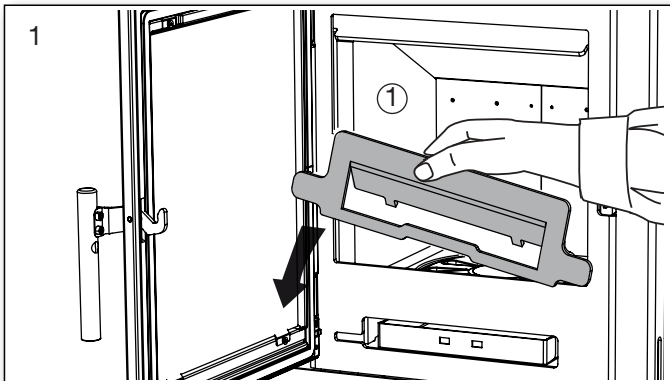
L = Lubricate

VI = Visual Inspection, pos. cleaning/replacing/adjusting

1.17 Cleaning after sweeping or before replacing vermiculite stones

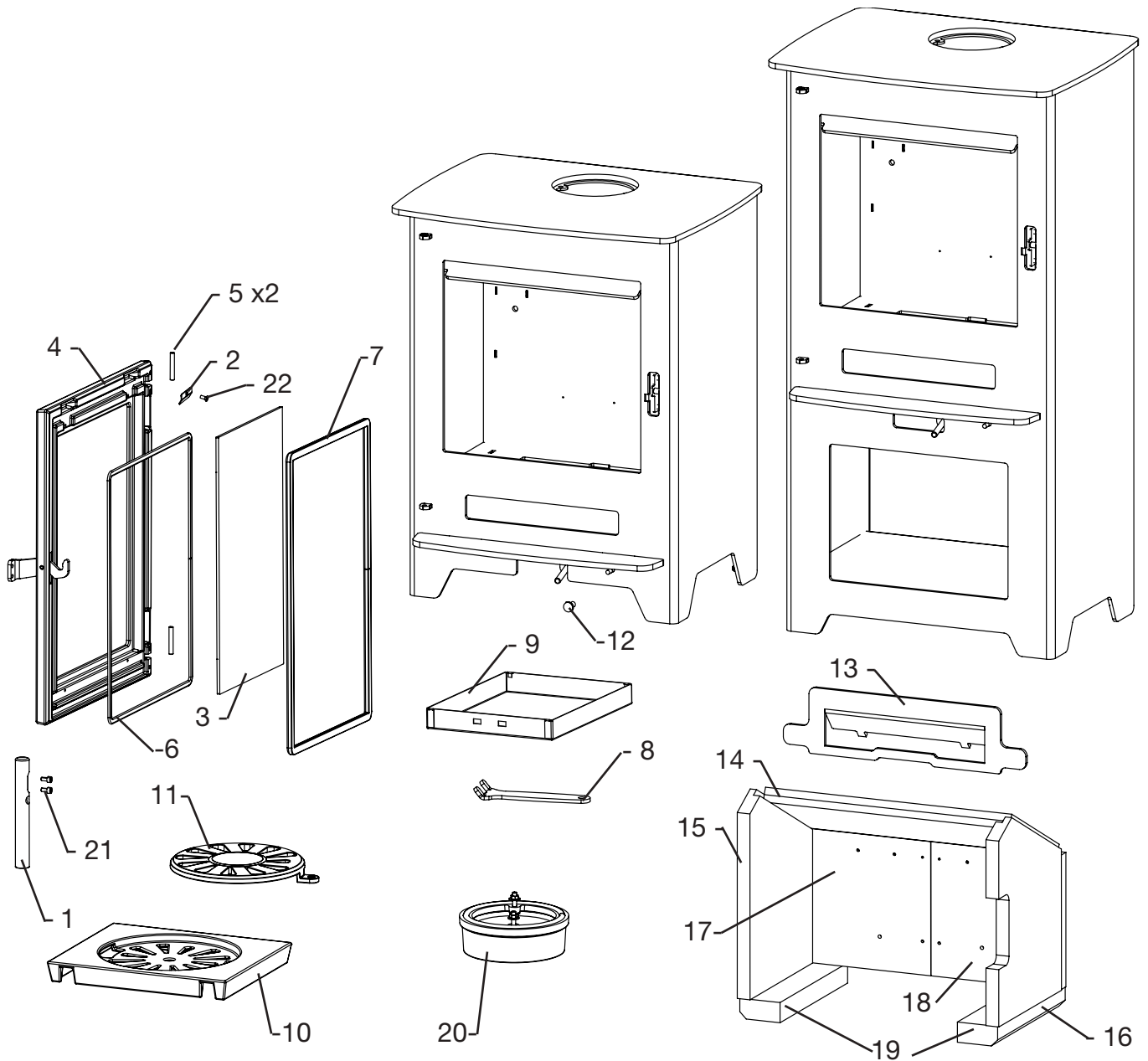
Note: it may be necessary to clean/vacuum the holes and air ducts behind the rear stone

Order of removing Fire bricks.



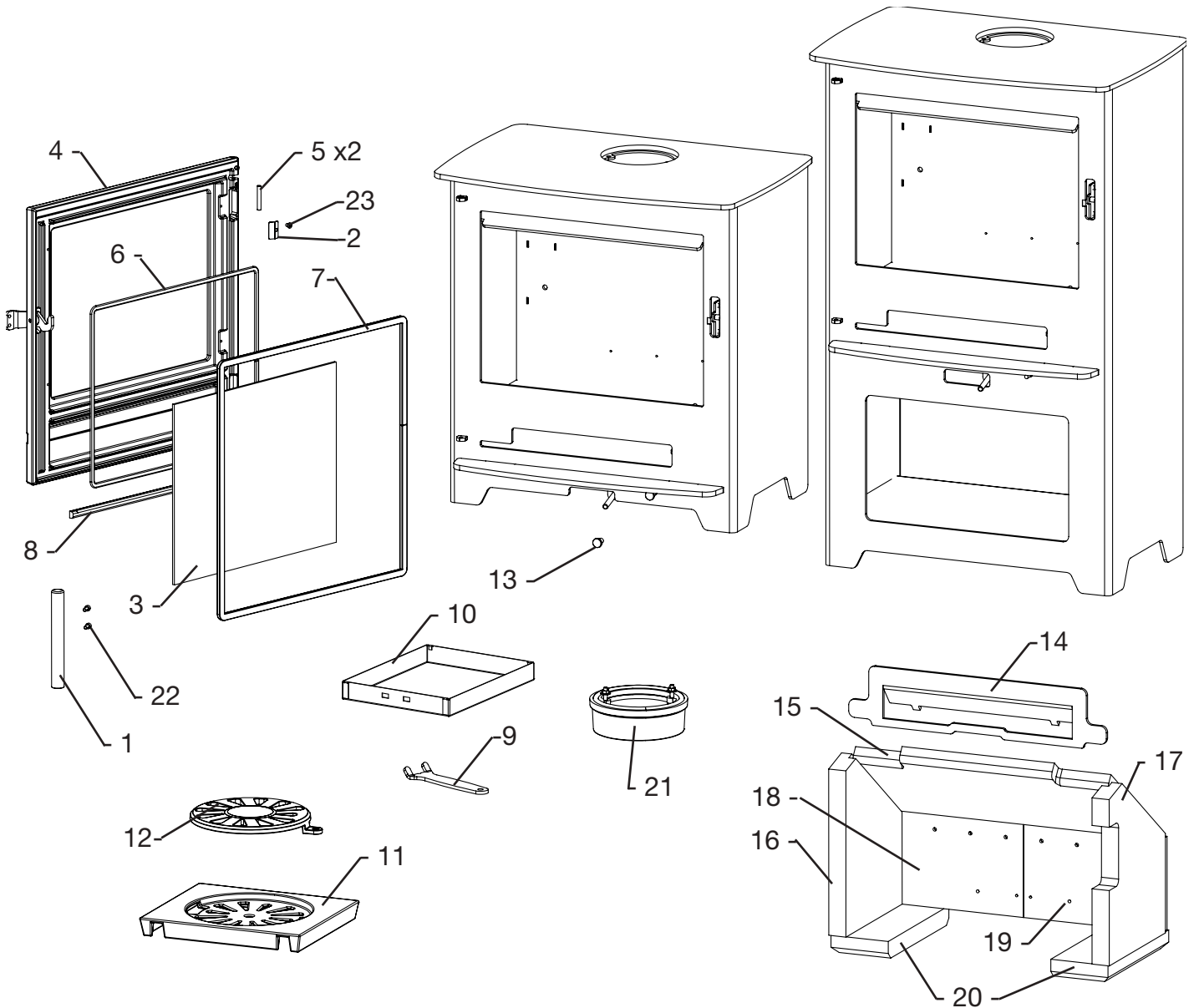
Replace in reverse order. Starting with Fig. 6.

1.18 Parts Inspire 40-40H Stove



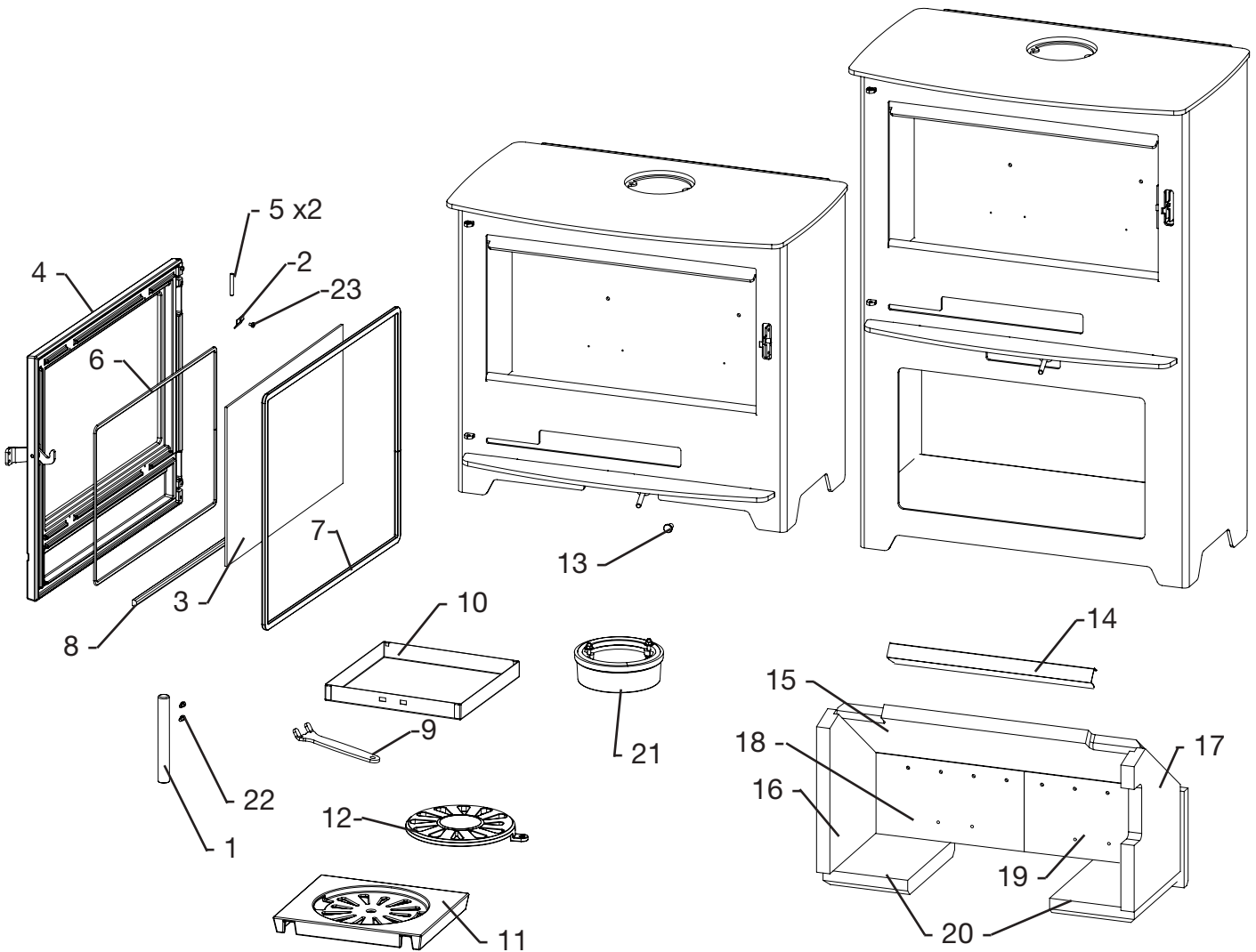
Pos. No.	Name	Qty.	Pos. No.	Name	Qty.
1	0016-0031 Handle	1	11	0030-0201 Shaking grate, Ø195 mm	1
2	1013-0529 Glass clips	4	12	0015-2013 Shaking grate handle	1
3	0021-0053 Glass	1	13	1019-0026 Log retainer	1
4	4005-0042 Door, with glass tape	1	14	0023-0150 Baffle plate	1
5	0008-9103 Hinge Pin	2	15	0023-0153 Left stone	1
6	0023-3013 Glass seal 3x8 mm	1,3 m	16	0023-0152 Right stone	1
7	0023-3008 Door seal ø12	1,5 m	17	0023-0177 Left back stone	1
8	1020-0001 Handle for ash pan	1	18	0023-0178 Right back stone	1
9	1013-022872 Ash pan	1	19	0023-0154 Bottom stone	2
10	0030-0020 Shaking grate	1	20	5032-0026 Flue collar set	1
			21	0008-2005 M5x10	2
			22	0008-2306 M4x8 A2	4

1.19 Parts Inspire 45-45H Stove



Pos. No.	Name	Qty.	Pos. No.	Name	Qty.		
1	0016-0031	Handle	1	12	0030-0201	Shaking grate, Ø195 mm	1
2	1013-0529	Glass clips	4	13	0015-2013	Shaking grate handle	1
3	0021-0054	Glass	1	14	1019-0027	Log retainer	1
4	4005-0046	Door, with glass tape	1	15	0023-0156	Baffle plate	1
5	0008-9103	Hinge Pin	2	16	0023-0159	Left stone	1
6	0023-3013	Glass seal 3x8 mm	1,3 m	17	0023-0158	Right stone	1
7	0023-3008	Door seal ø12	1,72 m	18	0023-0179	Left back stone	1
8	0023-3008	Door seal ø12	0,4 m	19	0023-0180	Right back stone	1
9	1020-0001	Handle for ash pan	1	20	0023-0160	Bottom stone	2
10	1013-022872	Ash pan	1	21	5032-0026	Flue collar set	1
11	0030-0020	Shaking grate	1	22	0008-2005	M5x10	2
				23	0008-2306	M4x8 A2	4

1.20 Parts Inspire 55-55H Stove



Pos. No.	Name	Qty.	Pos. No.	Name	Qty.
1	0016-0031 Handle	1	12	0030-0201 Shaking grate, Ø195 mm	1
2	1013-0529 Glass clips	4	13	0015-2013 Shaking grate handle	1
3	0021-0030 Glass	1	14	1027-0417 Baffe support	1
4	4005-0047 Door, with glass tape	1	15	0023-0170 Baffle plate	1
5	0008-9103 Hinge Pin	2	16	0023-0173 Left stone	1
6	0023-3013 Glass seal 3x8 mm	1,55 m	17	0023-0172 Right stone	1
7	0023-3008 Door seal ø12	1,88 m	18	0023-0171 Left back stone	1
8	0023-3008 Door seal ø12	0,52 m	19	0023-0175 Right back stone	1
9	1020-0001 Handle for ash pan	1	20	0023-0174 Bottom stone	2
10	1013-022873 Ash pan	1	21	5032-0026 Flue collar set	1
11	0030-0020 Shaking grate	1	22	0008-2005 M5x10	2
			23	0008-2306 M4x8 A2	4

1.21 Stove data table in accordance with en 13240 testing

Tested as a freestanding oven and with uninsulated flue

Stove type	Nominal fluegas temperature, at 20°C room temperature C°	Flue mm	Fuel volume kg	Draft min. mbar	Nominal output tested kW	Actual efficiency %	Distance to flammable materials i mm				Stove weight kg
							at the sides	Door bottom to combustible floor	rear the stove	to furnitures	
Inspire 40-40H	263	ø120/ ø150	1,3	0,13	4,5	81	340*/ 400	170	120*/ 190	900	74/ 91
Inspire 45-45H	221	ø120/ ø150	1,3	0,12	4,9	84	300	120	150*/ 195	860	80/ 104
Inspire 55-55H	263	ø120/ ø150	1,5	0,12	6,3	80	420	430	150*/ 220	1200	108/ 131

* Installed with an insulated flue.

The nominal output is the output to which the stove has been tested.
The test was carried out with the combustion air 65%.

1.21 Guarantee

Heta wood stoves, subjected to a strict quality control during production and before delivery to the dealer.

Therefore, the stoves guarantee is
FOR FIVE YEARS
 Against defects in manufacturing

Should you have cause to make a complaint, please quote our invoice no.

Warning



Any unauthorized alterations to the stove and the use of non-original parts will void the warranty.

The guarantee does not cover:

Wearing parts / fragile parts such as:

- Vermiculite stones in the combustion chamber, glass, seals and the casted bottom or shaking grate.
- Damage caused by improper use.
- Transportation costs for warranty repair.
- Assembly / disassembly of warranty repair.

Installation Instructions

Contents

2.	Installation instructions	20
2.1	Distance requirements	20
2.2	Floor	20
2.3	Chimney connection	20
2.4	Combustion air and ventilation	21
2.5	Stovedrawings/measurments	22
2.6	Clearances for installation - EN 13240 40-45-55.....	23
2.7	Clearances for installation - EN 13240 40H-45H-55H.....	24
2.8	Mounting the flue collar.....	25
2.9	Changing to a back flue outlet	25
3.	Appendix A.....	26

Remember

The stove and chimney installation, must comply with local regulations, including those referring to national and European standards.

2. Installation instructions

The stove installation must be in accordance with national, European and possibly local regulations. You must follow local regulations with regard to installation of chimney and connection to the chimney. We recommend that you let a professional Heta dealer install the stove. Alternatively, you can ask the local chimney sweep before installation. Be aware that it is always the owner himself who has responsibility for ensuring that applicable rules are complied with.

A modern stove places heavy demands on the chimney due to the high efficiency. It may be necessary to enhance or even replace an old chimney.

Remember

1. Always ensure free access to any cleaning doors in a chimney.
2. Always ensure ample fresh air to the room.
3. Exhaust/extraction fans in the house can reduce or create negative draft in the chimney. Reduced draft can lead to the stove having adverse combustion properties. It may result in smoke coming out of the stove when the door is open. A negative draft due to an exhaust/extraction fan can cause the chimney to work in reverse, drawing smoke into the house because of the fan.
4. Any air vents must not be covered.

2.1 Distance Provisions

There is a difference between installation next to flammable wall or non-flammable wall. If the wall is made of non-flammable material, the stove in principle may be placed flush against it.

We recommend a minimum of 5 cm to facilitate air circulation around the stove.

The minimum distance to combustibles can be found on the model plate provided with the stove or on page 18 of this manual.

Pay special attention to the distance to flammable floor, which is also applicable, although there is a steel/glass plate on the floor. The floor must be constructed of f. eg. concrete, tile or similar non-combustibles up to 170mm valid from the bottom edge of the stoking door of the stove.

170 mm for Inspire 40-40H,

120 mm for Inspire 45-45H,

430 mm for Inspire 55-55H

2.2 Floor

You must ensure that the floor can support the weight of the stove and a top-mounted steel chimney.

In front of the fireplace insert, the substrate must consist of non-combustible material, for ex. Steel/glass plate, stone or tile floor. The size of the non-combustible surface must follow the applicable national and local regulations. Protecting your floor from embers that may fall out of the oven.

Distances see data table page 18.

Pay special attention to the distance from flammable floor, which is also valid even if there are a steel, glass, stone or tile over flammable materials. It is the floor itself, which must be non-flammable. (Concrete, tile or similar). These stoves can be installed on a 12 mm non-combustible hearth.

2.3 The chimney connection

The chimney opening must follow national and local regulations. However, the area of the opening should never be less than 115 cm², which corresponds to a diameter of 121 mm. If a damper is fitted in the flue gas pipe, there must always be at least 20 cm² of free passage, even when the damper is in its "closed" position.

If local regulations permit, two contained stoves can be connected to the same chimney. However, you must abide by local regulations regarding the distance between the two connections.

The insert stove must never be connected to a chimney that is linked to a gas fire stove.

An efficient stove makes high demand on chimney properties – so always have your local chimney sweep evaluate your chimney.



Connection to a brick chimney

Brick a thimble into the chimney and seat the flue gas pipe in this.

The thimble and flue gas pipe must not penetra-

te the chimney opening itself, but must be flush with the inside of the chimney duct. Joins between brickwork, the thimble and flue gas pipe must be sealed with fireproof material and / or beading. Heta A/S stresses that it is of utmost importance that this is done correctly with very tight joints. As mentioned earlier, we recommend that setup and installation be left to a professional Heta dealer.

Connection to a steel chimney

When fitting a connection from a top outlet stove directly to a steel chimney, we recommend fitting the chimney tube inside the flue gas spigot so that any soot and condensation drops into the stove itself rather than collecting on the exterior surface of the stove.

For connections to chimneys that are run through ceilings, all national and local regulations regarding distance to flammable material must be followed. It is important that the chimney is fitted with roof support so that the top panel of the stove is not required to bear the entire weight of the chimney (excessive weight may damage the stove).

2.4

Combustion air and Ventilation

The insert stove is approved as a room air dependent insert stove in accordance with EN 13240. All the combustion air in the inset stove comes from the room in which it is fitted. However, by connecting a sealed air inlet to the insert stove's air intake connector, the stove can be supplied with external combustion air. In this respect, the following requirements must be met:

- Only approved materials may be used from the ventilation unit to the air inlet vent.
- The air inlet vent must be fitted correctly and insulated to prevent formation of condensate. The cross section of the vent and grille must be at least 78 cm².
- If the vent leads out into the open air, please note that the grille must be fitted with suitable wind protection. There must be no risk that the grille can get clogged by leaves, etc.

Ventilation

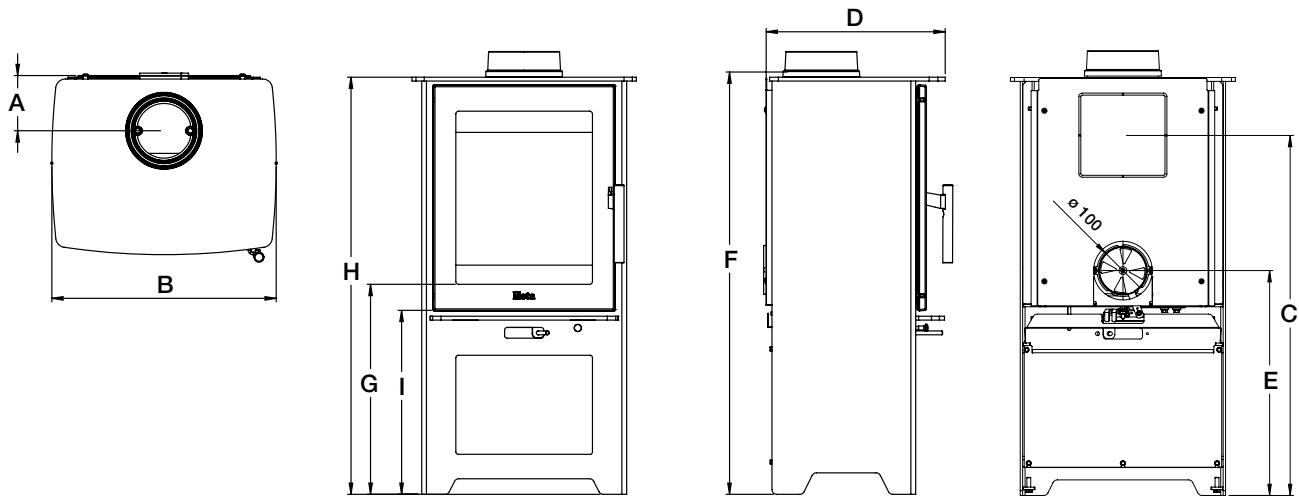
Adequate ventilation must be provided in accordance with building regulations (Doc J Oct 2010) especially when installing in newer build properties when the stove is not going to be installed to an outside air supply.

The Inspire 40-40H and 45-45H has a nominal output of less than 5kW and does not need additional ventilation in older properties where it will be ventilated by natural leakage.

The Inspire 55-55H (6,3kW) requires additional ventilation because it exceeds the 5kW

Houses built after 2008 where the air leakage rate is less than 5 m³ / hour / m² then a ventilator equivalent to 550 mm² per kW output will be required (4.5 kW x 550 mm² = 2475 mm²) unless the stove is connected to an outside fresh air supply.

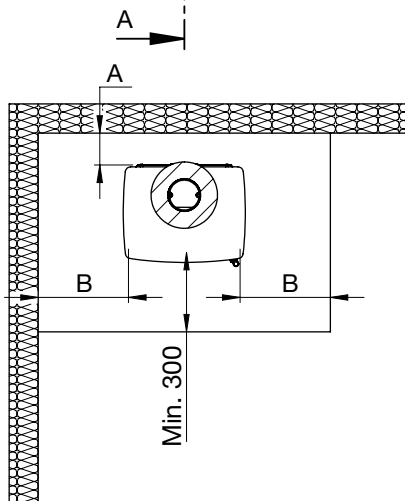
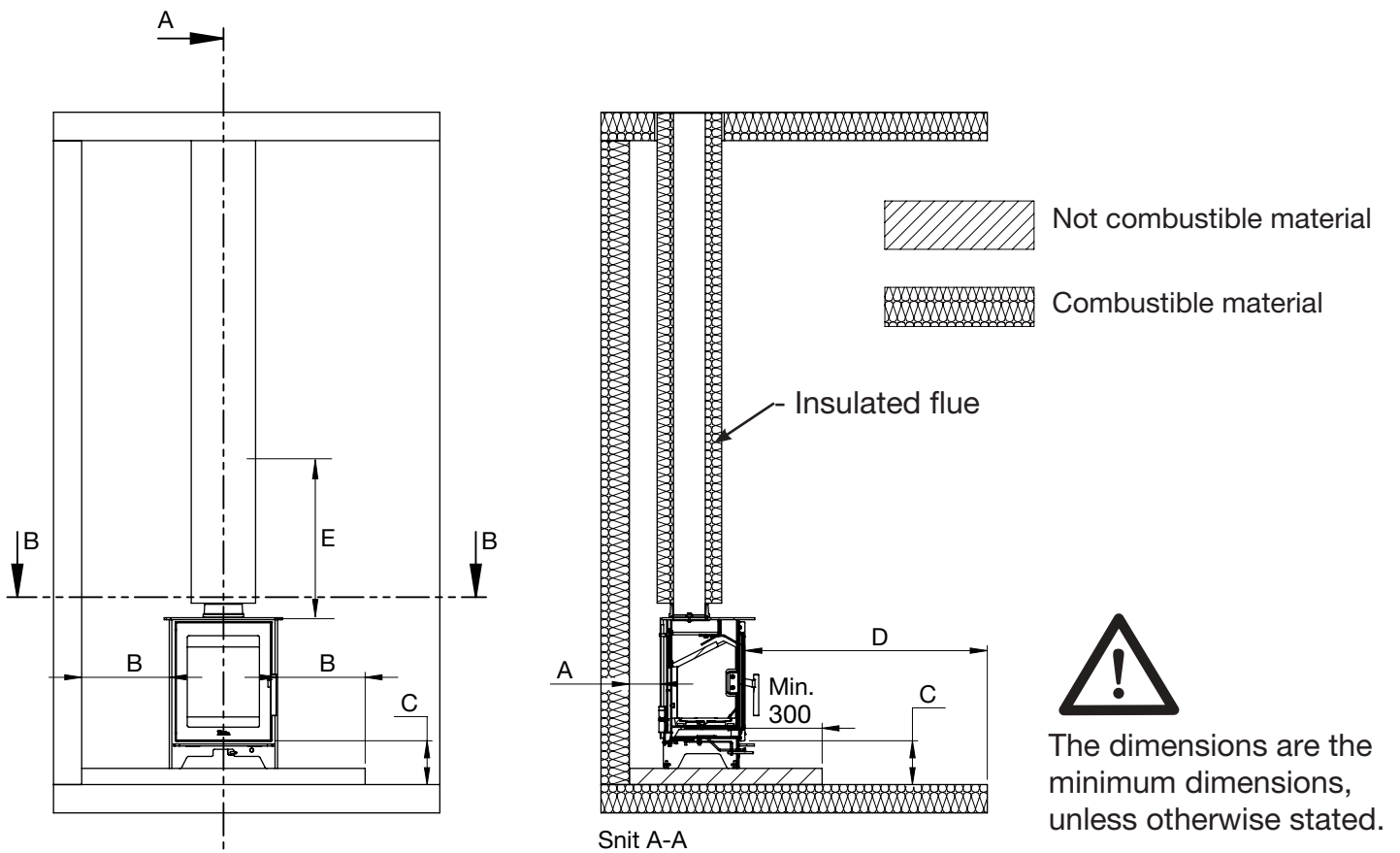
2.5 Stovedrawings/measurments



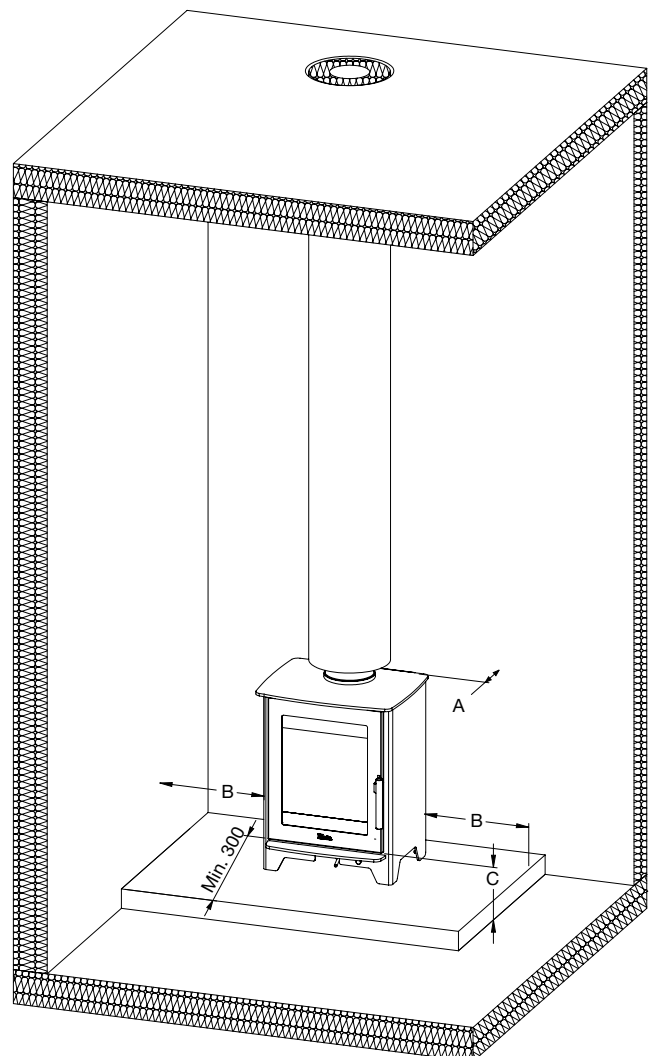
Type	A	B	C	D	E	F	G	H	I
Inspire 40	117	460	467	367	190	595	160	585	106
Inspire 40H	117	460	737	367	460	865	430	855	377
Inspire 45	119	540	451	377	165	565	211	555	79
Inspire 45H	119	540	751	377	465	865	511	855	380
Inspire 55	133	652	451	403	165	565	212	555	79
Inspire 55H	133	652	806	403	520	920	567	910	434

F: Measurements to openings

2.6 Clearances for installation EN 13 240 - Inspire 40-45-55



Snit B-B

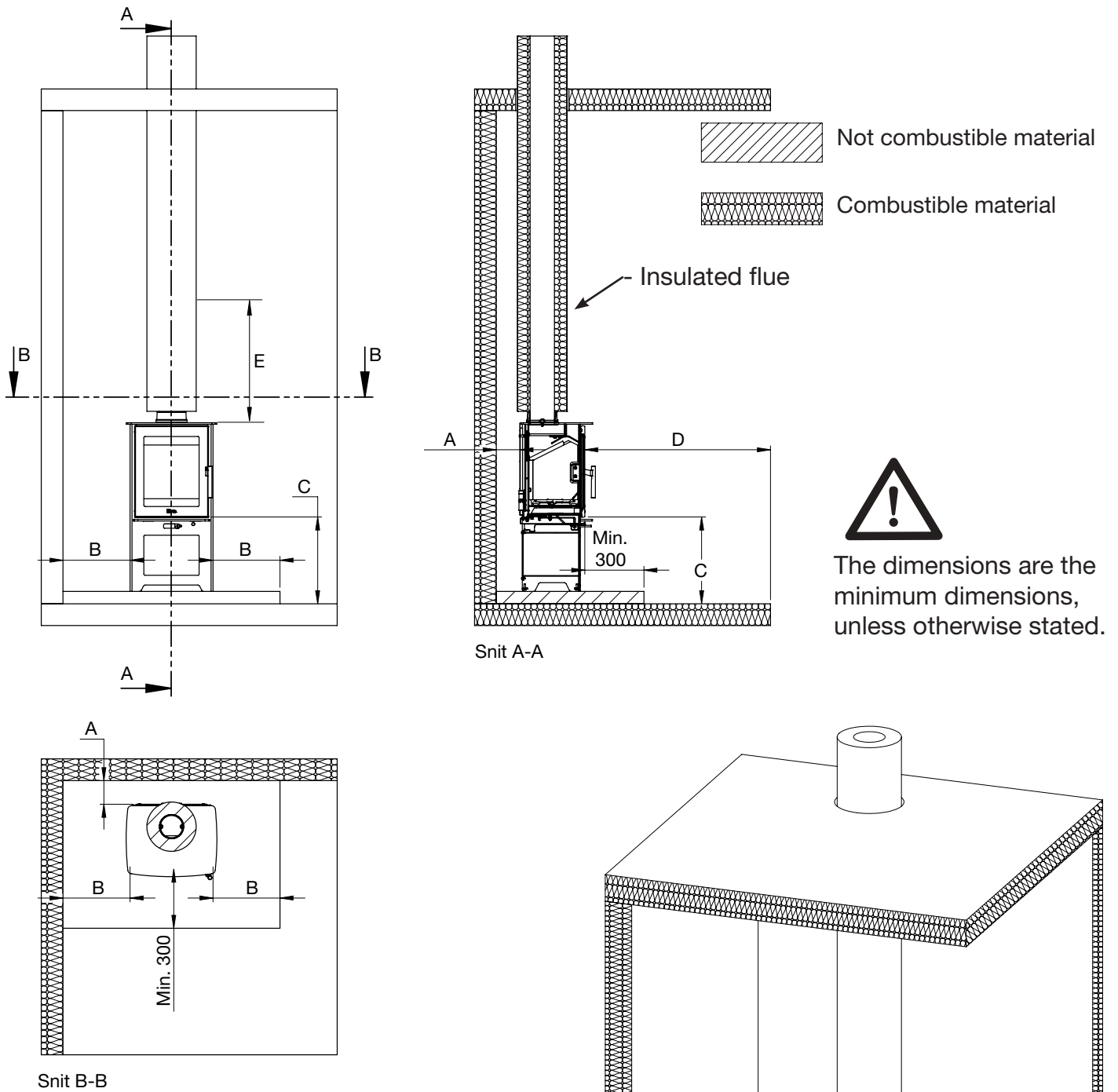


Clearances

Stove Minimum dimensions in mm	Distance to flammable materials				
	A rear the stove	B at the sides	C door bottom to combus- tible floor	D to furni- tures	E over the stove
Inspire 40	120*/ 190	340*/ 400	170	900	400
Inspire 45	150*/ 195	300	120	860	400
Inspire 55	150*/ 220	420	430	1200	500

* Installed with an insulated flue.

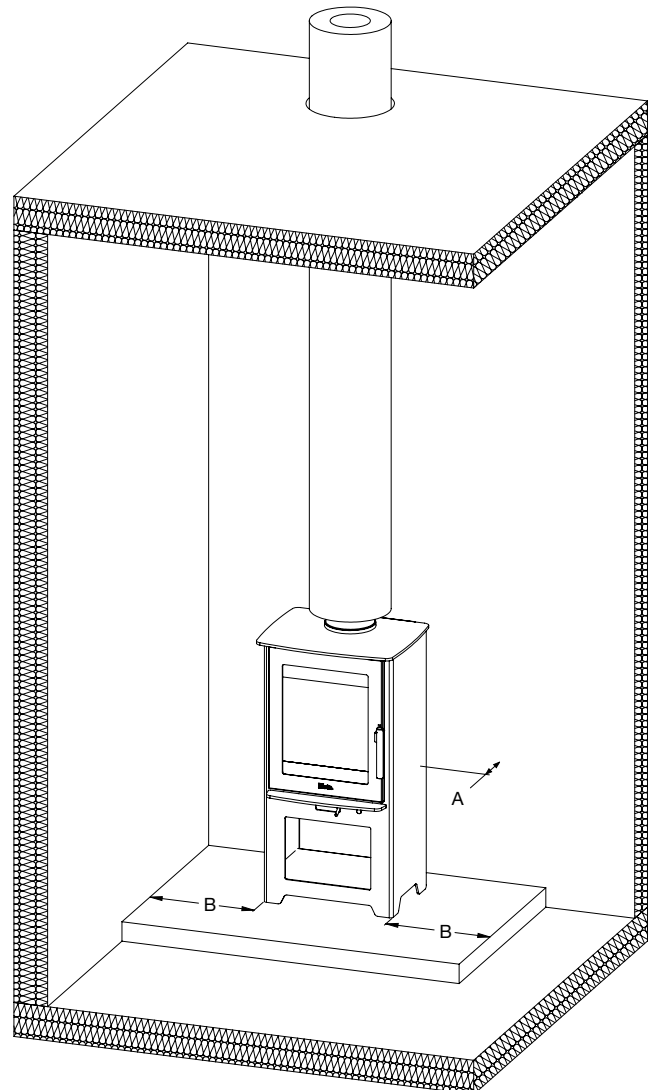
2.7 Clearances for installation EN 13 240 - Inspire 40H-45H-55H



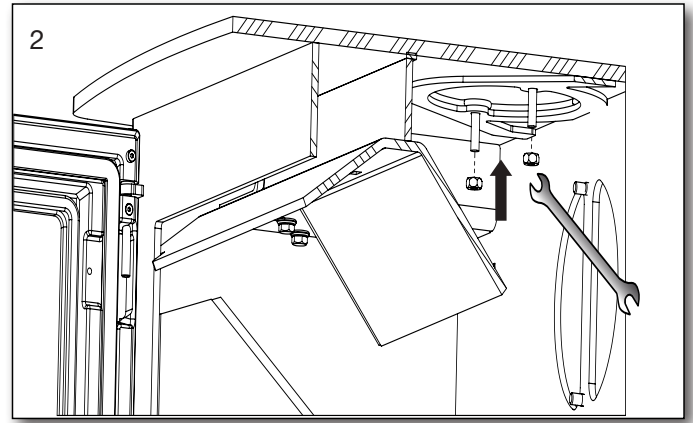
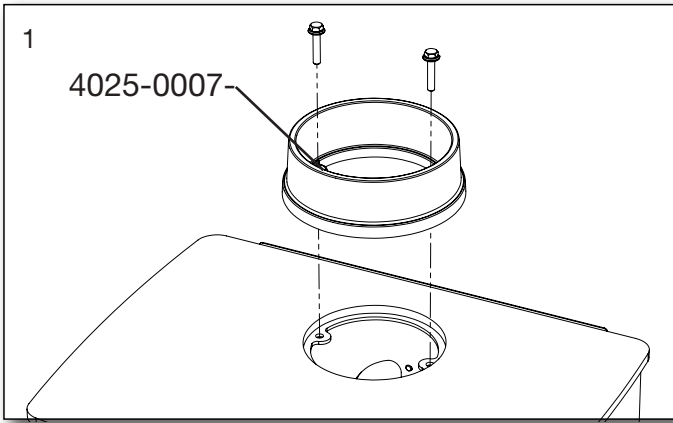
Clearances

Stove	Distance to flammable materials				
	A rear the stove	B at the sides	C door bottom to combustible floor	D to furnitures	E over the stove
Inspire 40H	120*/190	340*/400	170	900	400
Inspire 45H	150*/195	300	120	860	400
Inspire 55H	150*/220	420	430	1200	500

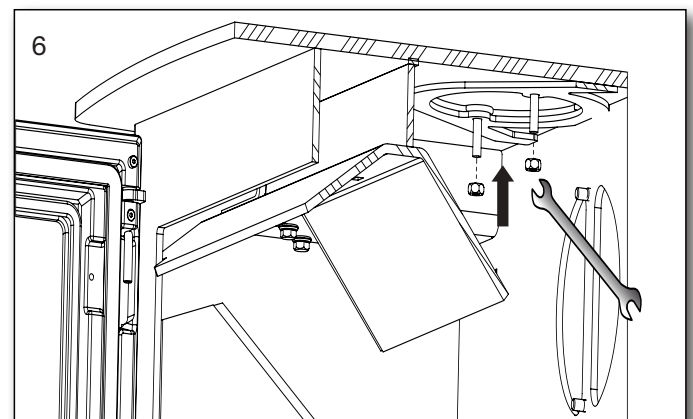
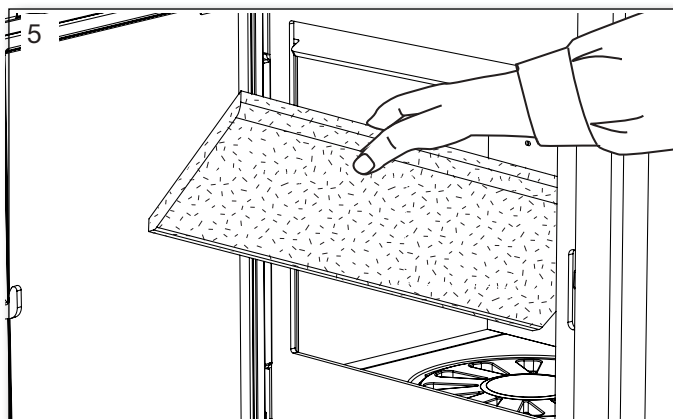
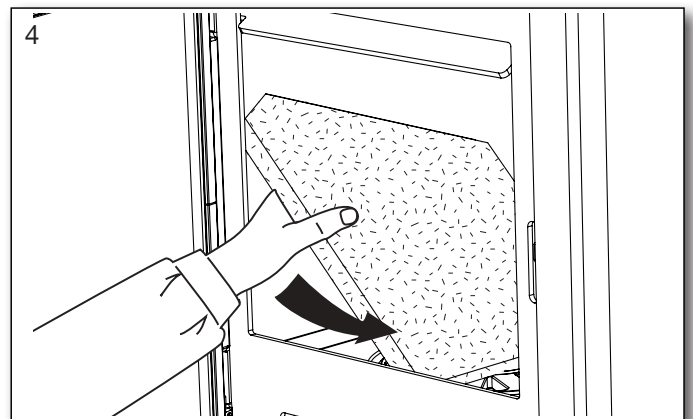
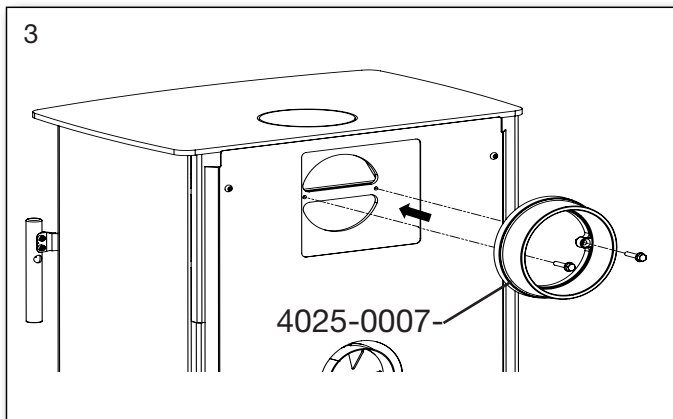
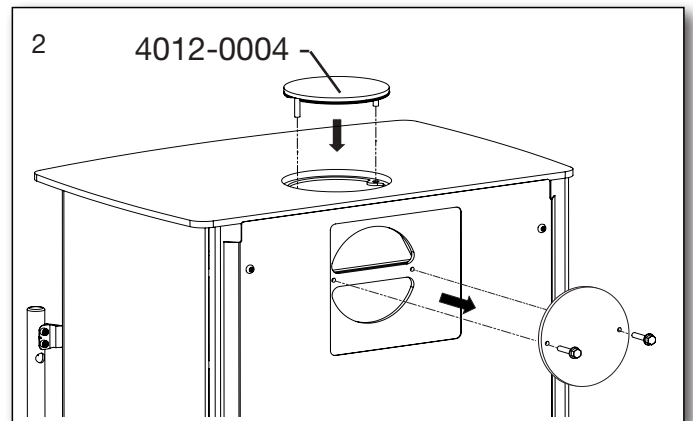
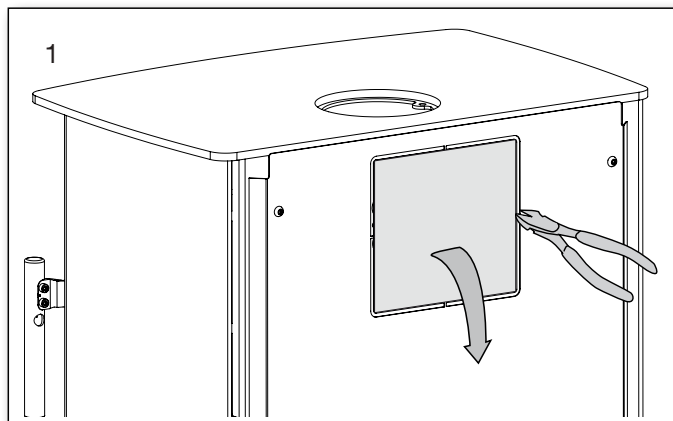
* Installed with an insulated flue.



2.8 Mounting of the flue collar



2.9 Changing to a back outlet



3. Appendix A

The Clean Air Act 1993 and Smoke Control Areas Under the Clean Air Act local authorities may declare the whole or part of the district of the authority to be a smoke control area. It is an offence to emit smoke from a chimney of a building, from a furnace or from any fixed boiler if located in a designated smoke control area. It is also an offence to acquire an "unauthorised fuel" for use within a smoke control area unless it is used in an "exempt" appliance ("exempted" from the controls which generally apply in the smoke control area).

The Secretary of State for Environment, Food and Rural Affairs has powers under the Act to authorise smokeless fuels or exempt appliances for use in smoke control areas in England. In Scotland and Wales this power rests with Ministers in the devolved administrations for those countries. Separate legislation, the Clean Air (Northern Ireland) Order 1981, applies in

Northern Ireland. Therefore it is a requirement that fuels burnt or obtained for use in smoke control areas have been "authorised" in Regulations and that appliances used to burn solid fuel in those areas (other than "authorised" fuels) have been exempted by an Order made and signed by the Secretary of State or Minister in the devolved administrations.

The Inspire 40 have all been recommended as suitable for use in smoke control areas when burning dry wood logs.

Further information on the requirements of the Clean Air Act can be found here: <https://www.gov.uk/smoke-control-area-rules>

Your local authority is responsible for implementing the Clean Air Act 1993 including designation and supervision of smoke control areas and you can contact them for details of Clean Air Act requirements.

