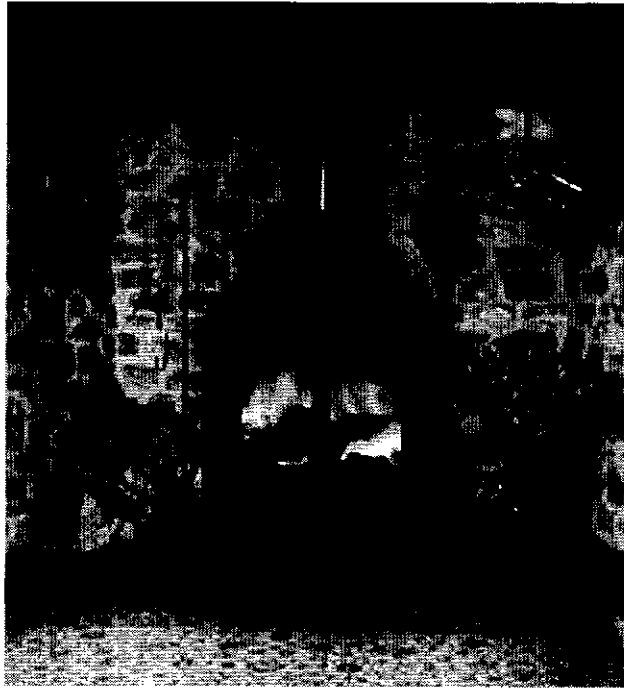


# STOVAX

---



## ***Stockton 3/4/5/6/7/8/11*** ***Free Standing Stove***

**MODELS: 7118/7101/7102/7119/7160/7127/7161/7100/7162/7120/7163/7103/7104/  
7105/7113/7113LC/7113HC/7128/7114/7106/7106LC/7106HC/7116/7116LC/7116HC/7117**

## **Installation Instructions** **For Use in Great Britain and Eire**

This product is suitable for use in the stated countries. To install the product in other countries it is essential to obtain translated instructions and in some cases the product may require modification. Contact Stovax to obtain further information.

### **IMPORTANT**

**Please read these instructions carefully before using the appliance.  
Keep them safe for future reference and when servicing the stove.**

# TECHNICAL SPECIFICATION

## STOCKTON STOVE

| <b>Model</b>   |            |         | Stockton 3 | Stockton 4 | Stockton 5 | Stockton 6 | Stockton 6HL | Stockton 7 | Stockton 8 | Stockton 8 SL | Stockton 11 |
|--|------------|---------|------------|------------|------------|------------|--------------|------------|------------|---------------|-------------|
| Stockton 3 - 7118  |            |         |            |            |            |            |              |            |            |               |             |
| Stockton 4 - 7101/7102                                   |            |         |            |            |            |            |              |            |            |               |             |
| Stockton 5 - 7119/7160/7108/7127                         |            |         |            |            |            |            |              |            |            |               |             |
| Stockton 6 - 7100/7162/Stockton 6HL - 7117               |            |         |            |            |            |            |              |            |            |               |             |
| Stockton 7 - 7120/7163                                   |            |         |            |            |            |            |              |            |            |               |             |
| Stockton 8 - 7103/7104/7105/7113/7113LC/7113HC/7114/7128 |            |         |            |            |            |            |              |            |            |               |             |
| Stockton 11 - 7106/7106LC/7106HC/7116/7116LC/7116HC      |            |         |            |            |            |            |              |            |            |               |             |
| Nominal Heat Output                                      | Wood       | kW      | 3.75       | 4.0        | 4.9        | 6.0        | 6.0          | 7.0        | 8.0        | 7.0           | 11.0        |
|  | Solid Fuel | kW      | 3.75       | 4.0        | 4.9        | 6.0        | 6.0          | 7.0        | 8.6        | 7.0           | N/A         |
| Flue Draught at Nominal Heat Output                      | All Fuels  | mm Wg   | 1.25       | 1.25       | 1.25       | 1.25       | 1.25         | 1.25       | 1.25       | 1.25          | 1.25        |
|  |            | inch Wg | 0.05       | 0.05       | 0.05       | 0.05       | 0.05         | 0.05       | 0.05       | 0.05          | 0.05        |
| Flue Gas Mass Flow                                       | Wood       | g/s     | 3.8        | 3.8        | 2.6        | 5.2        | 5.2          | 6.1        | 7.0        | 7.0           | 11.40       |
|  | Solid Fuel | g/s     | 2.9        | 2.9        | 3.2        | 6.2        | 6.2          | 6.8        | 7.3        | 7.3           | N/A         |
| Flue Gas Temperature at Spigot/Socket                    | Wood       | °C      | 408        | 369        | 369        | 427        | 427          | 446        | 446        | 446           | 453         |
|  | Solid Fuel | °C      | 408        | 369        | 369        | 427        | 427          | 446        | 446        | 446           | N/A         |
| Flue Outlet Size (Top or Rear Option)                    |            | mm      | 125        | 125        | 125        | 150        | 150          | 150        | 150        | 150           | 180         |
|  |            | inch    | 5          | 5          | 5          | 6          | 6            | 6          | 6          | 6             | 7           |

|        |  |    |    |    |     |     |     |     |     |     |     |
|--------|--|----|----|----|-----|-----|-----|-----|-----|-----|-----|
| Weight |  | kg | 76 | 83 | 120 | 140 | 150 | 130 | 140 | 120 | 160 |
|--------|--|----|----|----|-----|-----|-----|-----|-----|-----|-----|

|                   |            |   |
|-------------------|------------|---|
| Recommended Fuels | Wood       | Seasoned wood (less than 20% moisture content)  |
|                   | Solid Fuel | Briquetted smokeless fuel suitable for closed appliances. (Not Stockton 11)<br>(Ancit - Phurnacite - Taybrite - Homefire ovals) |

As tested to the requirements of EN 13240 for intermittent operation.

# TECHNICAL SPECIFICATION

## 1. STANDARD FEATURES

- Primary air (under grate air for full multifuel use)
- Airwash (for woodburning / clean glass)
- Pre-set secondary air control (to ensure complete burning of flue gases)
- Riddling grate system for clean de-ashing (when fitted with multi-fuel kit)
- Removable door handle
- Top or rear flue exit option

## 2. PACKING LIST

- User Instructions
- Installer Instructions
- Guarantee card
- Accessory catalogue
- Pair leather gloves
- Door handle tool

# SITE REQUIREMENTS

**Before installation of this product please read these instructions fully.**

It is very important to also understand the requirements of the UK Building Regulations (England and Wales – Document J / Scotland - Part F), along with any local regulations, and working practices that may apply. Should any conflict occur between these instructions and these regulations then the regulations shall apply.

All electrical connections should meet the requirements of UK Building Regulations (England and Wales – Document P / Scotland - Part N).

Your local Building Control Office would be happy to advise should questions arise, regarding the requirements of the regulations.

The Stockton Stove should be fitted by a HETAS (GB only) registered installer, or approved by your local building control officer. Your Stovax dealer should be able to arrange this service for you.

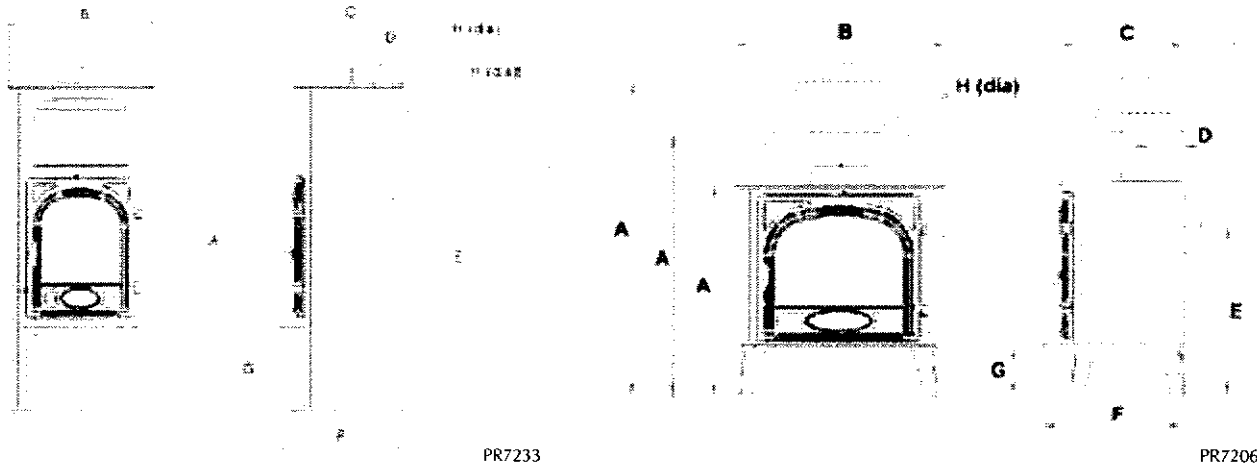
Your building insurance company may also require you to inform them that you have installed a new heating appliance, so check with your insurers that your cover is still valid after installing the Stockton Stove.

When completing the installation and building works you should comply with your responsibilities under the Health and Safety at Work Acts, and any new regulations, which may be introduced during the lifetime of these instructions.

**A faulty installation could cause danger to the inhabitants and structure of the building.**

# SITE REQUIREMENTS

## STOCKTON STOVE DIMENSIONS



| Description    | Model     | A    | B   | C   | D   | E   | F   | G   | H (dia) |
|----------------|-----------|------|-----|-----|-----|-----|-----|-----|---------|
| Stockton 3     | 7118      | 510  | 389 | 291 | 90  | 405 | 338 | 96  | 125     |
| Stockton 4     | 7101      | 572  | 389 | 291 | 90  | 465 | 338 | 112 | 125     |
| Stockton 5     | 7119      | 544  | 481 | 294 | 90  | 436 | 335 | 120 | 125     |
|                | 7108      |      |     |     |     |     |     |     |         |
| Stockton 5 LC  | 7160      | 684  | 503 | 294 | 90  | 436 | 335 | 120 | 125     |
|                | 7161      |      |     |     |     |     |     |     |         |
| Stockton 6     | 7100      | 609  | 456 | 339 | 90  | 501 | 380 | 120 | 125     |
|                | 7117      |      |     |     |     |     |     |     |         |
| Stockton 6 HL  | 7117      | 1020 | 456 | 338 | 90  | 913 | 380 | 263 | 125     |
| Stockton 7     | 7120      | 580  | 536 | 341 | 105 | 455 | 385 | 121 | 150     |
|                | 7163      |      |     |     |     |     |     |     |         |
| Stockton 8 FT  | 7103      | 620  | 603 | 366 | 105 | 495 | 411 | 141 | 150     |
|                | 7128/7113 |      |     |     |     |     |     |     |         |
| Stockton 8 LC  | 7104      | 758  | 624 | 366 | 105 | 495 | 411 | 141 | 150     |
|                | 7113LC    |      |     |     |     |     |     |     |         |
| Stockton 8 HC  | 7105      | 911  | 624 | 366 | 105 | 495 | 411 | 141 | 150     |
|                | 7113HC    |      |     |     |     |     |     |     |         |
| Stockton 8 SL  | 7114      | 589  | 603 | 288 | 105 | 474 | 338 | 119 | 150     |
| Stockton 11 FT | 7106      | 678  | 723 | 403 | 117 | 541 | 467 | 162 | 180     |
|                | 7116      |      |     |     |     |     |     |     |         |
| Stockton 11 LC | 7106LC    | 870  | 759 | 403 | 117 | 541 | 467 | 162 | 180     |
|                | 7116LC    |      |     |     |     |     |     |     |         |
| Stockton 11 HC | 7106HC    | 1100 | 759 | 403 | 117 | 541 | 467 | 162 | 180     |
|                | 7116HC    |      |     |     |     |     |     |     |         |

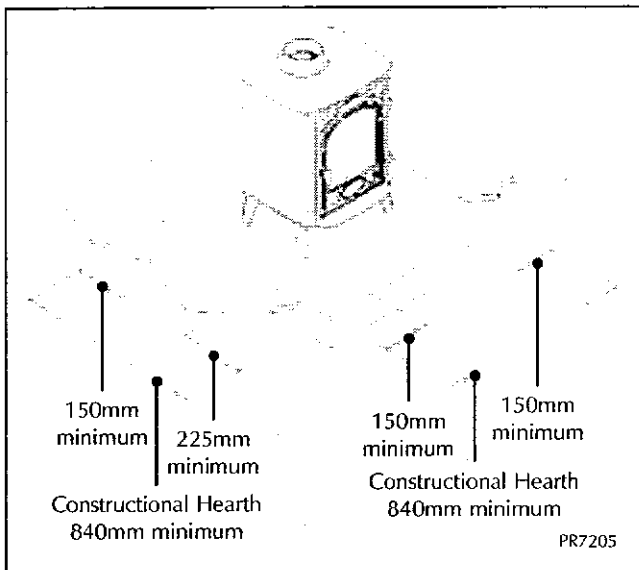
Additional information covering the installation of the Stockton stove may be found in the following British Standard: BS8303

# SITE REQUIREMENTS

## HEARTH DIMENSIONS

The Stockton stove must stand on a constructional hearth with the minimum dimensions as shown in diagram below.

Check that the structure of the building has a suitable loadbearing capacity for the hearth and Stockton stove. If in doubt consult a structural engineer for advice before proceeding.



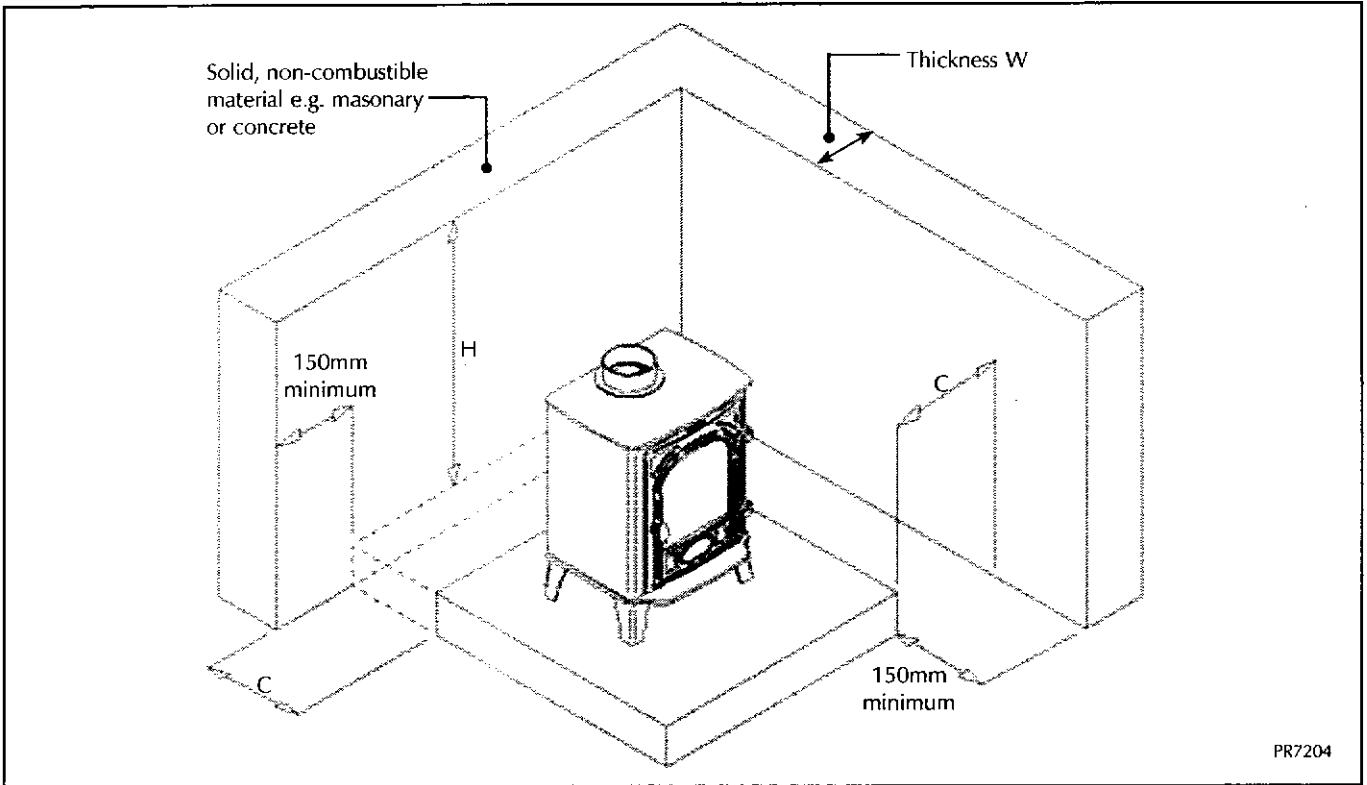
If you are fitting the appliance into an existing hearth setting check that it complies with the current construction regulations and is the minimum sizes shown.

If you have no existing fireplace or chimney, it is possible to construct a suitable chimney and hearth setting. However this should be constructed to comply with the requirements of both current national and local regulations with the design approved by your local building control officer. Masonry chimney systems built with clay or concrete liners or pre-fabricated block systems should be constructed in accordance with BS 6461 : Part 1. Factory made insulated systems should comply with BS 4543 : Part 2 and be installed to BS 7566 : Parts 1 to 4.

Remember that any new chimney added to your property may also require planning permission.

# SITE REQUIREMENTS

## WALLS NEXT TO A HEARTH



| Location of Stove and Hearth   | Dimensions of non-combustible material around Stove |                      |   |
|--|---|----------------------|---|
|  | Distance 'C'  | Thickness 'W'        | Height 'H'  |
| If the hearth <b>touches</b> the wall and the stove is placed 0-50mm from the same wall the non-combustible material has to be the dimensions as shown   | Zero mm   | 200mm                | Height of stove + 300mm or 1200mm<br>(take largest dimension) |
| If the hearth <b>touches</b> the wall and the stove is placed 51-300mm from the same wall the non-combustible material has to be the dimensions as shown | Zero mm   | 75mm                 | Height of stove + 300mm or 1200mm<br>(take largest dimension) |
| If the hearth does <b>not touch</b> the wall but is <b>less than 150mm</b> from it, the non-combustible material has to be the dimensions as shown       | 0-150mm   | 75mm                 | 1200mm  |
| If the hearth does <b>not touch</b> the wall but is <b>more than 150mm</b> from it, the non-combustible material has to be the dimensions as shown       | Over 150mm  | No minimum thickness | No minimum height   |

**Suitable clearance should be around the stove to enable the correct fitting and maintenance of the stove.**  
**Any clearances should be confirmed by making a site survey and a physical check of wall thickness and dimensions.**

# PRE-INSTALLATION CHECKS

It is important that adequate ventilation exists and the flue or chimney system that is to be used is in good working condition. Products of combustion that enter the room could be a serious health risk. Before installation of this product we recommend that the flue or chimney system and ventilation requirements are inspected by a competent person, and passed as suitable for use with the appliance to be fitted. In particular the following should be checked:

## 1. FLUE OR CHIMNEY

- 1.1 The construction of the flue or chimney system should meet the requirements of the Building Regulations with sizes as shown below.
- 1.2 An, approved, factory made system suitable for solid fuel use, complying with BS 4543: Part 2, may be used when installed to the requirements of BS 7566: Parts 1 to 4, the manufacturer's instructions and the requirements of Building Regulations.
- 1.3 New masonry chimney systems built with clay or concrete liners or pre-fabricated block systems should be constructed in accordance with BS 6461 : Part 1, and the requirements of Building Regulations, may be used.
- 1.4 A flexible flue liner system may be used, if it is independently certified for use with solid fuel systems, and is installed according to the manufacturer's instructions and the requirements of Building Regulations. If an appliance is being replaced on an existing flexible flue liner system, the liner system should be replaced, unless it can be proved to be recently installed and can be seen to be in good condition.
- 1.5 The flue exit from the building should be positioned to comply with the requirements of the Building Regulations.
- 1.6 Any existing flue should be confirmed as suitable for the new intended use, as defined in the Building Regulations.
- 1.7 Any existing flue or chimney system must be inspected and swept by a NACS registered (UK only) chimney sweep, to confirm that the system is structurally sound and free from any obstructions.
- 1.8 Suitable access should be provided to enable the collection and removal of debris.
- 1.9 Provision should be made to sweep and inspect the flue when the appliance is installed.
- 1.10 No other heating appliances should be connected to, or share, the same flue or chimney system.
- 1.11 Check the flue draught. This should be done with all windows and doors closed and any extraction fans in this or adjoining rooms running at maximum speed. (See next section for additional ventilation requirements)

Note: A guide containing general information on chimneys and flues is obtainable from: -

The British Flue & Chimney Manufacturers' Association,

FETA  
2 Waltham Court  
Milley Lane  
Hare Hatch  
Reading  
Bucks. RG10 9TH

Tel : - 0118 9403416      e-mail :- [info@feta.co.uk](mailto:info@feta.co.uk)

- 1.12 Where a hearth, fireplace, flue or chimney is provided or extended (including cases where a flue is provided as part of refurbishment work), information essential to the correct appliance and use of these should be permanently posted in the building, to meet Requirement J4 of the Building Regulations (England and Wales), F3.12 (Scotland).



# PRE-INSTALLATION CHECKS

| <b>Model</b>   |  |      | Stockton 3 | Stockton 4 | Stockton 5 | Stockton 6/6HL | Stockton 7 | Stockton 8 | Stockton 8 SL | Stockton 11 |
|--|--|------|------------|------------|------------|----------------|------------|------------|---------------|-------------|
| Stockton 3 - 7118  |  |      |            |            |            |                |            |            |               |             |
| Stockton 4 - 7101/7102                                   |  |      |            |            |            |                |            |            |               |             |
| Stockton 5 - 7119/7160/7108/7127                         |  |      |            |            |            |                |            |            |               |             |
| Stockton 6 - 7100/7162                                   |  |      |            |            |            |                |            |            |               |             |
| Stockton 7 - 7120/7163                                   |  |      |            |            |            |                |            |            |               |             |
| Stockton 8 - 7103/7104/7105/7113/7113LC/7113HC/7114/7128 |  |      |            |            |            |                |            |            |               |             |
| Stockton 11 - 7106/7106LC/7106HC/7116/7116LC/7116HC      |  |      |            |            |            |                |            |            |               |             |
| Flue/Chimney Size  | Without Liner System Round (diameter)  | mm   | 150        | 150        | 150        | 150            | 150        | 150        | 150           | 150         |
|  |  | inch | 6          | 6          | 6          | 6              | 6          | 6          | 6             | 7           |
|  | Without Liner System (square) Minimum Dimension  | mm   | 135        | 135        | 135        | 135            | 135        | 135        | 135           | 135         |
|  |  | inch | 5½         | 5½         | 5½         | 5½             | 5½         | 5½         | 5½            | 6½          |
|  | With Liner or Factory made System (diameter)<br><small>installed in accordance with manufacturers instructions</small> | mm   | ‡150       | ‡150       | 150        | 150            | 150        | 150        | 150           | 180         |
|  |  | inch | ‡6         | ‡6         | 6          | 6              | 6          | 6          | 6             | 7           |
| Flue/Chimney minimum height*                             |  |      | m          | 4          | 4          | 4              | 4          | 4          | 4             | 4           |
|  |  |      | feet       | 13         | 13         | 13             | 13         | 13         | 13            | 13          |

\* When measured from the top of the flue, with no horizontal sections and a maximum of 4 bends with angles of less than 45°

‡ May be 125mm (5") if burning low volatiles (smokeless) fuels approved for use in Smoke Control Areas. See web site <http://ukSmokecontrolareas.co.uk> for more information about approved fuels.

## 2. ADDITIONAL VENTILATION

- 2.1 Additional ventilation will be required to comply with the requirements of the Building Regulations. This should be provided using a permanently open air vent, of the size listed, which is positioned so that it is not liable to be blocked both inside and outside the building.
- 2.2 Extractor fans or cooker hoods should not be placed in the same room or space as the appliance.
- 2.3 **If any of these checks reveal problems do not proceed with the fitting of the appliance until they have been rectified.**

| <b>Model</b>   |                 |  | Stockton 3 | Stockton 4 | Stockton 5 | Stockton 6/6HL | Stockton 7 | Stockton 8 | Stockton 8 SL | Stockton 11 |
|--|-----------------|--|------------|------------|------------|----------------|------------|------------|---------------|-------------|
| Stockton 3 - 7118  |                 |  |            |            |            |                |            |            |               |             |
| Stockton 4 - 7101/7102                                   |                 |  |            |            |            |                |            |            |               |             |
| Stockton 5 - 7119/7160/7108/7127                         |                 |  |            |            |            |                |            |            |               |             |
| Stockton 6 - 7100/7162/Stockton 6HL - 7117               |                 |  |            |            |            |                |            |            |               |             |
| Stockton 7 - 7120/7163                                   |                 |  |            |            |            |                |            |            |               |             |
| Stockton 8 - 7103/7104/7105/7113/7113LC/7113HC/7114/7128 |                 |  |            |            |            |                |            |            |               |             |
| Stockton 11 - 7106/7106LC/7106HC/7116/7116LC/7116HC      |                 |  |            |            |            |                |            |            |               |             |
| Additional Ventilation                                   | mm <sup>2</sup> |  | 0          | 0          | 0          | 550            | 1100       | 1650       | 1650          | 3300        |
|  | cm <sup>2</sup> |  | 0          | 0          | 0          | 5.5            | 11         | 16.5       | 16.5          | 33          |
|  | in <sup>2</sup> |  | 0          | 0          | 0          | 0.85           | 1.70       | 2.56       | 2.56          | 5.12        |

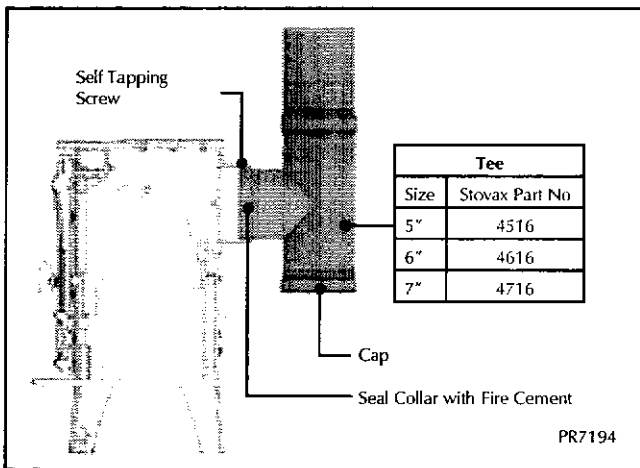
# INSTALLATION INSTRUCTIONS

Because each installation is unique to the property, it is not possible to give full details to suit every setting. However the installation should comply with the requirements of the Building Regulations and be made using "best practice" construction methods.

Remember that many fireplace openings will have a supporting lintel. Do not remove this without making provision to support the remaining structure of the building. **The Stockton stove must not form any part of the supporting structure.**

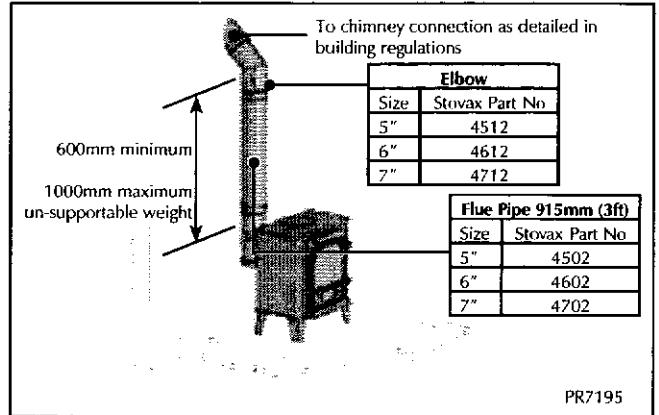
## 1. INSTALLING THE STOVE

- 1.1 Decide if the installation is to be top or rear flue exit, and fit and seal, with fire cement, the flue collar and blanking plate to suit. The flue collar attaches to the stove backplate or top plate with hexagonal headed bolts. The blanking plate is fixed to the unused flue outlet with fixing nuts.
- 1.2 Lift the stove into position on the prepared hearth area, taking care not to damage the hearth finish.
- 1.3 Connect the stove to the chimney system, using Stovax enamelled flue pipe and seal the connecting joints. Typical top and rear flue connections are shown.
- 1.4 Rear flue pipe installation

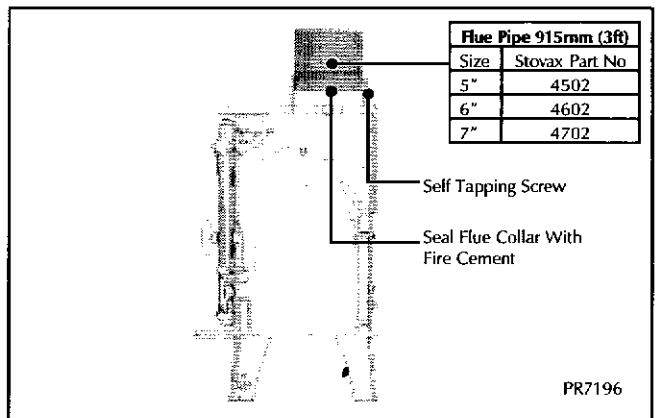


Connect a tee by inserting it into the flue spigot and sealing using fire cement and secure with a suitable self tapping screw. The cap supplied with the tee is used as the cleaning access.

Typical rear flue installation. Flue to be installed in accordance with manufacturers instructions.

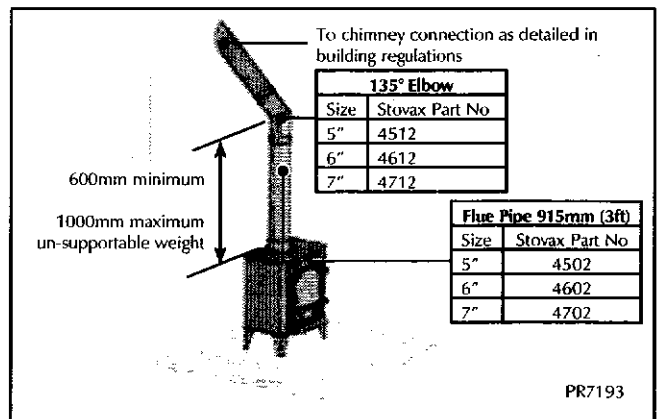


### 1.5 Top flue pipe installation



Connect a flue pipe by inserting it into the flue spigot and sealing using fire cement and secure with a suitable self tapping screw.

Typical top flue installation. Flue to be installed in accordance with manufacturers instructions.



# INSTALLATION INSTRUCTIONS

## 2. FITTING FIREBRICKS

- 2.1 To fit the firebricks slide them into position on each side of the firebox, with the chamfered edges against the sides of the firebox. The back edge of the brick should be held in place by the side of the back cast iron panel.
- 2.2 If the stove is fitted with 4 firebricks above the grate slide the first up until it touches the baffle support pin and slide the second brick into position below it. If the stove is fitted with 6 firebricks, slide 2 bricks into position below the side grate supports.
- 2.3 Repeat this procedure for the other side of the stove.

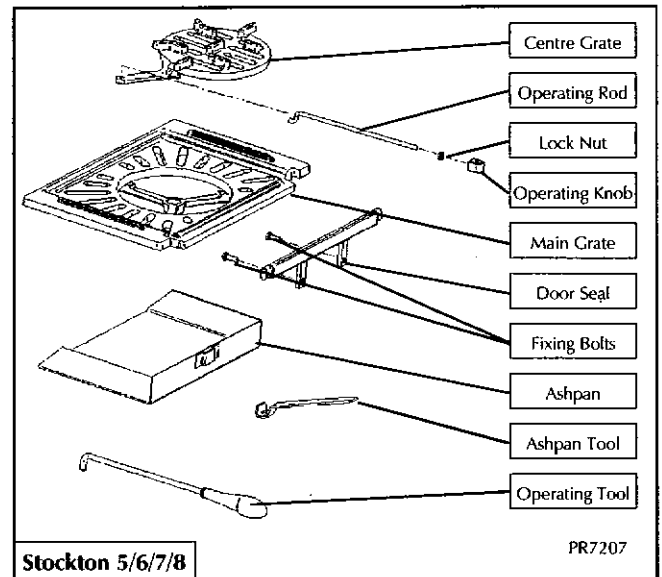
## 3. FITTING BAFFLE

- 3.1 Pass the baffle through the door and rotate so that the front of the baffle rests on the two 10mm pins and the back of the baffle rests on the cast iron air chamber at the rear of the stove.
- 3.2 The front lip of the baffle should point downwards.

## 4. FITTING MULTIFUEL KIT TO WOOD STOVE (OPTIONAL) STOCKTON 5/6/7/8

Stockton 5 kit – 7108 fits product 7119 / 7160  
Stockton 6 kit – 7110 fits product 7100  
Stockton 7 kit – 7109 fits product 7120  
Stockton 8 kit – 7111 fits product 7103 / 7104 / 7105  
/ 7113 / 7113LC / 7113HC

- 4.1 These instructions cover the fitting of the optional multifuel kit to a wood stove, to enable the burning of manufactured smokeless fuels as listed in the User Instructions.
- 4.2 Remove the log retainer if fitted.
- 4.3 Remove the fire bricks (if previously fitted) from above steel grate support rails that are fixed to the side of the stove firebox.
- 4.4 Remove the blanking bolt that is fitted in the grate operating rod hole on the front of the stove. (Near the lower left-hand corner of the door).

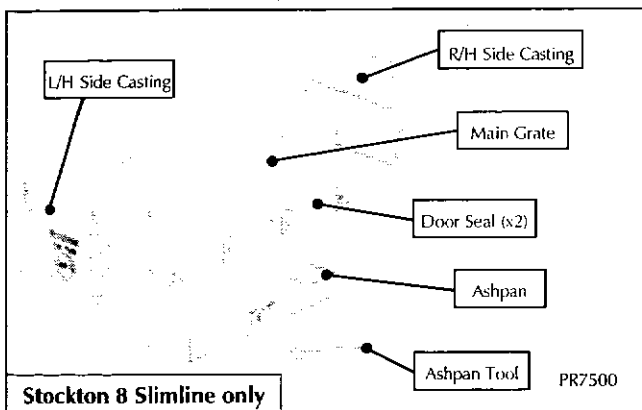


- 4.5 Place the main grate into place on the steel runners. Ensure that the grate sits flat and locates in the fixing slots in the supports.
- 4.6 Refit the firebricks above the grate.
- 4.7 Fit the operating rod to the centre grate after removing the operating knob and nut from the end of the rod.
- 4.8 From the inside of the stove firebox feed the operating rod through the hole in the front of the firebox, while dropping the centre grate into position in the main grate.
- 4.9 Refit the operating knob and lock into position with the nut.
- 4.10 Refit the log retainer.
- 4.11 Place the ashpan under the grate.
- 4.12 Fit the additional door seal to the back of the door as detailed.
- 4.13 Remove the air control cover fixing bolts, note how the air slider is assembled for ease of replacement.
- 4.14 Fix the additional seal to the back of the door using the new, longer, fixing bolts to replace the air control cover. The seal should line-up with the front of the main grate.
- 4.15 Check that the door closes correctly.

# INSTALLATION INSTRUCTIONS

## 5. FITTING MULTIFUEL KIT TO STOVE (OPTIONAL) STOCKTON 8 SLIMLINE

Stockton 8 Slimline kit - 7111SL fits product 7114



- 4.1 These instructions cover the fitting of the optional multifuel kit to the wood stove, to enable the burning of manufactured, smokeless fuels as listed in the User Instructions.
- 4.2 Remove the log retainer if fitted.
- 4.3 Fit side fire bricks, as detailed in section 2.
- 4.4 Slide the L/H and R/H side castings into position against the side bricks.
- 4.5 Place the main grate onto the side castings, with the 2 small corner cut-outs at the front.
- 4.6 Refit the log retainer.
- 4.7 Place the ashpan under the grate.
- 4.8 Fit the additional seals to the back of each door using the one long fixing bolt (new) and one existing fixing bolt. Note how the cover and air control are fitted to enable reassembly.
- 4.9 The additional seal should pass under the front edge of the main grate, and can be adjusted to ensure the correct fit.
- 4.10 Check that the door closes correctly.

# COMMISSIONING

- 1.1 Confirm all internal parts are correctly fitted.
- 1.2 Check the door alignment and catch operation, adjust if required as detailed on page 11 of the User Instructions.
- 1.3 Inspect the door seals for damage and check the operation of the air controls.
- 1.4 Carry out a final smoke draw test, by first warming the flue with a blowlamp, or similar, for about 10 minutes. Then place a smoke pellet on the centre of the grate, with the air controls open, and close the door. Smoke should now be drawn up the flue and be seen to exit from the flue terminal. This test should be completed with all doors and windows in the room where the stove is fitted closed. Should this test fail the suitability of the flue system and ventilation should be re-checked.
- 1.5 Light the appliance and gently allow the temperature to increase slowly to operating levels. Check that no combustion products are entering the room. When the Stove has reached a steady operating condition open the main fire door and carry out a spillage test with a smoke match or pellet around the door opening.
- 1.6 If excessive spillage does occur allow the appliance to cool and re-check the suitability of the flue system and ventilation.
- 1.7 Explain the safe operation of the stove and the use of the controls to the user, along with the need to only use suitable fuels. Also explain the cleaning and routine maintenance requirements.
- 1.8 Explain the requirements to use a suitable fireguard when children, elderly or infirm persons may be near the appliance.
- 1.9 **Record dealer/supplier details and installer details in user instructions.**
- 1.10 **Record serial number in user instructions.** This number will be required when ordering spare parts and making warranty claims.
- 1.11 **Give the copy of the user instructions to the customer.**