

# Gotham 900

Featuring OMNIGLIDE®

*This product is only suitable for well insulated spaces or occasional use*



## Installation & Precautions

Carefully remove the fire from the packing, checking that neither the heater nor the power cable has been damaged during transport. Do not operate the fire if either is damaged. Please bear in mind the weight of the fire before removal from the packaging and installation. Consider if help is required. Any alteration to the power cable should only be done by a qualified electrician and to the Flamerite Fires guidelines stated below. Your fire is guaranteed for one year from the date of purchase. In the unlikely event of a breakdown you have access to our customer services team, simply call **01543 251122** during office hours, 9am – 5pm or e-mail on [info@flameritefires.com](mailto:info@flameritefires.com) The accessories are found in a box that is packed at the side of the fire.

### INSTALLATION

**Where a chimney is not blocked off completely it will cause the heater to cut out during use. ONLY if installing into a chimney and you are not sure that you have cut off the draw 100% we recommend covering the slots in the rear and at either side.**

**Automatic safety cut out:** The heater is fitted with an automatic cut out to prevent any damage due to overheating. The element will continually and automatically cut out if the airflow is obstructed. **Never** cover the air outlets. To reset, switch the fire off, disconnect from the mains supply, remove the cause of the overheating, check the micro switches and allow to cool for a suitable period then switch the fire back on. **Caution:** In order to avoid a hazard due to inadvertent resetting of the thermal cut out, the appliance must not be supplied through an external switching device, such as a timer, or connected to circuit regularly switched on and off by a utility.

**Electrical connections.** Your appliance comes fitted with a plug that incorporates a 13A fuse. The replacement fuses must be 13A and ASTA approved. If the fuse cover is lost the plug must not be used until a replacement cover, of the same colour, is obtained from an electrical retailer. The appliance is fitted with a moulded plug if it is necessary cut off the plug, for any reason, it must be discarded immediately with the fuse removed. Under no circumstances should any attempt be made to reuse the plug, do not insert into any 13A socket as this could cause a hazard. If the mains cable is damaged it must be replaced by the manufacturer or an authorised technical service centre.

### **WARNING THIS APPLIANCE MUST BE EARTHED**

#### **IMPORTANT**

The wires in the mains lead are coloured in accordance with the following code.

|                   |         |
|-------------------|---------|
| Green and yellow: | EARTH   |
| Blue:             | NEUTRAL |
| Red:              | LIVE    |

As the colours of the wires in the mains lead of this appliance may not correspond with the colour markings in your plug proceed as follows: -

- The wire which is coloured green and yellow must be connected to the terminal in the plug which is marked with the letter E, or coloured green or coloured green and yellow, or marked with the earth symbol
- The wire which is coloured blue must be connected to the terminal in the plug which is marked with the letter N, or coloured black.
- The wire which is coloured brown must be connected to the terminal in the plug which is marked with the letter L, or coloured red.

**Insert the plug tightly into its IEC connector underneath the fire if not already done so. If the removal of the plug is absolutely necessary for installation, cut off in an area within 100mm only of the plug itself. Any further will affect your warranty.**

**Fixing set (not including white decorative screw head covers).**



**Using as a Hole in the Wall:** The inset dimensions are: depth 170mm, height 510mm and width 920mm. There must be enough clearance for the fire to comfortably fit into the hole. **DO NOT SQUEEZE INTO THE OPENING** this may deform the case and stop the glass from moving correctly. The height at which you may wish to fix the fire in the wall is up to you, though we recommend anywhere from 400-500mm from the floor to the bottom of the fire opening (not the fire case itself). Prior to sealing/plastering the wall around the fire, it must be secured into place using the 4 x 36mm screws and rawl plugs provided. Four larger holes should be visible at each corner of the opening, two on each side of the flange. Place the fire into the hole, mark off where the fixing holes are to be drilled. Remove the fire and drill the holes. When done push the rawl plugs into the drilled holes, lift and secure the fire into place.

**Please now test the fire and follow the rest of the instructions below before permanently boarding/sealing/plastering in place.**

**Using in the Kayden Suite:** Inserted from the back of the suite using the 10 x 12mm screws provided, five down each side.

**Using in the Gotham Suite:** The Suite will need to be fixed at two points.

**Warning: Due to the fireplace being of a narrow design, you should be mindful that during the installation there is a high risk of falling forwards or backwards. We recommend two persons throughout.**

Firstly the upper wall brackets should be fixed to the wall with the highest point of the chamfered edge facing forward/upward (Fig.1). A corresponding chamfered edge on the suite can be found on the back across the top. Fix both brackets level with the 4 x 60mm screws and rawl plugs provided. Once the upper brackets are in place, lift and hook onto the wall. The second fixing point is found in the log box. Two holes will be visible in the top corners for 2 x 50mm screws and rawl plugs to secure the suite at the bottom as well as at the top. Mark off on the wall where these two fixing holes are to be drilled. Remove suite, drill the holes and push the rawl plugs into the holes. The fire should now be inserted from the back of the suite using the 10 x 12mm screws provided, five down each side. Finally lift the suite onto the upper brackets and secure to the wall using the 2 x 50mm screws. Decorative white caps are provided.

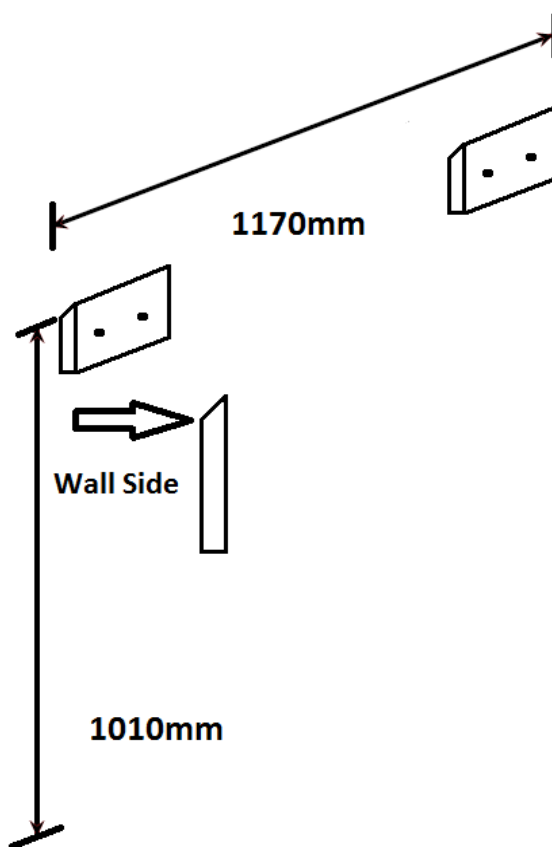


Fig.1

**Fuel Effects:** Once the fire has been installed in the correct position unpack the fuel effect from the accessory box. Pebbles maybe arranged in a random formation on top of the fuel bed. The Cinderwood log effect as in the images below in Fig.2.



Fig.2

**Fitting the Glass:** Whilst holding at the bottom of the glass, place the top edge through the fire opening up both sides of the interior making sure you start after the dampers and lift over the micro switch arm at the top. **IMPORTANT Fig.4: The glass must be placed on top of the metal arm and NOT under!** Allow the bottom edge of the glass to sit into the channel in front of the fuel bed. To remove the glass, in the open fully tilted position hold from the very top, pull out of the channel and carefully remove through the opening, bottom edge first.

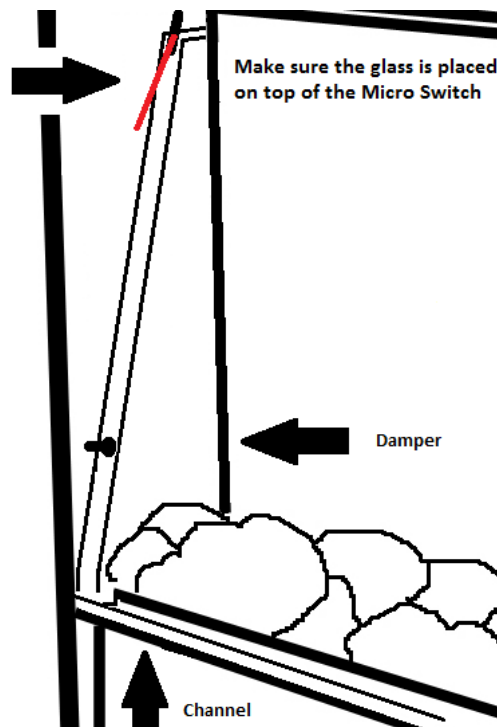


Fig.4

**Fitting Frame or Dresser Rail:** The dresser rail is a long black magnetic U channel that provides a neat edge along the bottom of the fire. Simply fit the rear of the channel in front of the glass whilst the front hangs over covering the join from wall to fire. This is not needed however if fitting the magnetic decorative frame.

## MAINTENANCE

**Before any maintenance/cleaning is undertaken, always disconnect the fire from the mains power supply.**

**Replacing Lamps** (Dimmable 240V 7W 3000k E14 LED lamps): Replacements are available from Flamerite Fires [info@flameritefires.com](mailto:info@flameritefires.com)  
Allow a suitable time for the lamps to cool then remove the glass & fuel effect (see Installation). Remove the two screws from either side of the fuel bed and lift out of place. Remove and replace the lamps, fuel bed, fuel effect and glass. Please note that replacement Lamps are only covered from purchase by a 2 year warranty

### **Cleaning**

The fire can be cleaned with a soft damp cloth and none abrasive glass cleaner.

## WARNINGS

- Do not open and close the glass repeatedly while the heater is on or the cut out will activate.
- Do not use the fire in the vicinity of a bath shower or swimming pool.
- Never use the fire to dry laundry.
- Never install the fire directly underneath a fixed main socket.
- Never cover the appliance during the operation of the fire.
- The use of an extension lead is not recommended.
- Particular caution should be applied to ensure that children do not play with the fuel effects.
- As with any electrical appliance whilst the instructions aim to cover as many eventualities as possible, caution and common sense should be applied when operating your appliance, particularly in the vicinity of small children.

**Areas around the fire will become hot when activated. We strongly recommend small children be kept away from having any direct contact with the appliance by means of fitting a fireguard. This appliance is not intended for use by persons (or children) with reduced physical sensory or mental capabilities or lack of experience or knowledge unless they have been given supervision or instruction concerning the use of the appliance by the person responsible for their safety. Children should be supervised to ensure they do not play with this appliance.**

## PROBLEM SOLVING

- **No power to the fire:** Check the wall socket, plug, fuse and lamps.
- **No illumination:** Make sure fire is turned on. Check heater is working, if so check lamps.
- **Illumination but heater blowing cold:** The safety cut out may have operated. Check for obstruction around the heater. If installed into a chimney or cavity wall is 100% of drawn air blocked off from the fire.
- **Noise when illuminated:** Due to moving parts, the electric fire will make a noise.
- **Noise from the heater when in use:** The sound of rushing air is normal.

## RECYCLING

Please recycle responsibly. Take your item to your local recycling centre – you can easily locate your nearest centre on the [Recycle Now website](#) or check with your retailer for details on either a collection service or a store take-back scheme (some may apply charges). Councils may offer a household recycling collection service for small electrical items; contact your local authority for more details.

| <b>Model identifier (s)</b>                              |   | <b>Gotham 900</b> |             |
|--|---|-------------------|-------------|
| <i>Item</i>  | <i>Symbol</i>   | <i>Value</i>      | <i>Unit</i> |
| <b>Heat output</b>                                       |   |                   |             |
| Nominal heat output                                      | Pnom  | 1.5               | kW          |
| Minimum heat output (indicative)                         | Pmin  | 0.75              | kW          |
| Maximum continuous heat output                           | Pmax,c  | 1.5               | kW          |
| <b>Auxiliary electricity consumption</b>                 |   |                   |             |
| At nominal heat  | elmax   | 0.24              | kW          |
| At minimum heat  | elmin   | 0.24              | kW          |
| In standby   | eISB  | 0.0015            | kW          |
| <b>Type of heat output/room temperature control</b>      |   |                   |             |
| With electronic room temperature control plus week timer |   |                   | Yes         |
| <b>Contact details:</b>                                  | Flamerite Fires Ltd. Greenhough Road, Lichfield. Staffs.<br>WS13 7AU e: <a href="mailto:info@flameritefires.com">info@flameritefires.com</a> t: 01543251122 |                   |             |