

# The Collection

by MICHAEL MILLER

# Celena

## **BALANCED FLUE LOG EFFECT GAS FIRE**

### **Installation, Maintenance & User Instructions**

**Hand these instructions to the user**

**Model No's DCBL\*\*RNB is only for use on Natural Gas (G20) at a supply pressure of 20 mbar in G.B. / I.E.**

**\*\* denotes cosmetic variant**

## **Information Requirements for Commission Regulation (EU) 2015/1188**

<b>Model Identifier</b>	<b>DCBL**RNB</b>
<b>Indirect Heating Functionality</b>	<b>No</b>
<b>Direct Heat Output</b>	<b>3.9kW</b>
<b>Indirect Heat Output</b>	<b>Not Applicable</b>
<b>Fuel</b>	<b>Natural Gas (G20)</b>
<b>NOx Emissions</b>	<b>130mg/kWh</b>
<b>Nominal Heat Output</b>	<b>3.9kW</b>
<b>Minimum Heat Output (Indicative, all models)</b>	<b>1.9kW</b>
<b>Useful Efficiency at Nominal Heat Output</b>	<b>90.5%</b>
<b>Useful Efficiency at Minimum Heat Output (Indicative)</b>	<b>50.0%</b>
<b>Auxilliary Power Consumption at Nominal Heat Output</b>	<b>0.000008kW</b>
<b>Auxilliary Power Consumption at Minimum Output</b>	<b>0.000008kW</b>
<b>Auxilliary Power Consumption at Standby Mode</b>	<b>0.000008kW</b>
<b>Permanent Pilot Flame Requirement</b>	<b>0.21kW</b>
<b>Type of Heat Output / Room Temperature Control</b>	<b>Two or more manual stages, with electronic room temperature control plus day timer.</b>
<b>Contact Details</b>	<b>BFM Europe Ltd. Gordon Banks Drive Trentham Lakes North Stoke-on-Trent ST4 4TJ Tel : 01782 339000</b>

# CONTENTS

		PAGE
<b>Section 1</b>	<b>Information and Requirements</b>	
1.0	Appliance Information	3
1.1	Conditions of Installation	4
1.2	Fireplace surround & suitability	4
1.3	Flue Terminal Position	5
1.4	Shelf position	6
1.5	Hearths	6
<b>Section 2</b>	<b>Installation of Fire</b>	
2.1	Unpacking the fire	6
2.2	Fireplace opening	7-8
2.3	Preparation of the wall	9
2.4	Preparation of the flue hole	10
2.5	Installation of the gas supply	11
2.6	Preparation of the flue duct	12
2.7	Securing the firebox to the opening	13
2.8	Installation of the firebox	14-16
2.9	Installation of the Boticelli surround	17-18
2.10	Checking mechanical fixing of the surround	19
2.11	Making the gas connection / pressure testing	20
2.12	Fitting the terminal guard	20
<b>Section 3</b>	<b>Assembling Fuel Bed and Commissioning</b>	
3.1	Fitting the log fuel bed	21-25
3.2	Fitting the batteries	26
3.3	Lighting the fire	27-31
3.4	Fitting the handset wall bracket	31
3.5	Instructing the user / product handover	31
<b>Section 4</b>	<b>Maintenance</b>	
4.1	Removal of the burner assembly	32
4.2	Removal of the gas valve	32
4.3	Removal of the pilot assembly	33
4.4	Removal of the control board / receiver unit	33
4.5	Parts shortlist	34
<b>Section 5</b>	<b>User Instructions</b>	
5.1	Conditions of Installation	35
5.2	About your new fire	36
5.3	Operating the fire	37-41
5.4	Removal / re-fitting the glass frame assembly	42
5.5	Removal / replacement of the fuel-bed	43-47
5.6	Cleaning the fire	47
5.7	Changing the batteries	48
5.8	User replaceable parts	48

This appliance is manufactured by :-

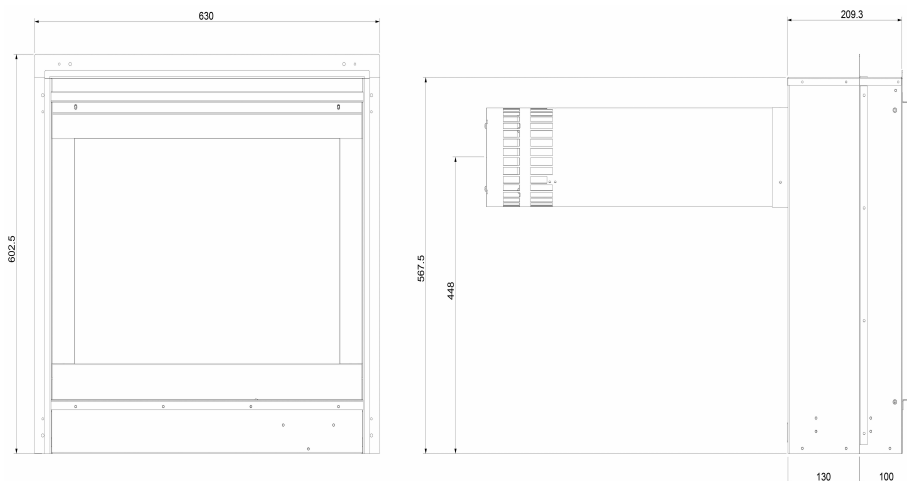
BFM Europe Ltd, Trentham Lakes,  
Stoke-on-Trent, ST4 4TJ.

# SECTION 1 INFORMATION AND REQUIREMENTS

## 1.0 APPLIANCE INFORMATION

Model	DCBL**RNB
Gas Type	** denotes cosmetic variant of product G20
Main injector (1 off)	Size 1.52mm
Pilot Type	Black Technigas "Polidoro" G27.2
Max. Gross Heat Input :	4.8 kW
Min. Gross Heat Input :	3.8 kW
Gas Rate :	0.445m <sup>3</sup> /hr
Cold Pressure :	20.0 +/-1.0 mbar
Electrode Spark Gap	4.0mm
Packed Weight	41.0kg
Gas Connection :	8mm Compression (supplied with fire)
Ignition :	Via remote, integral to control system

**Fig. 1**



## INSTALLATION REQUIREMENTS

### Efficiency Declaration

The efficiency of this appliance has been measured as specified in BS EN 613 : 2001 and the result after conversion to Gross using the appropriate factor from Table 4 of SAP 2009 is 82.2%. The test data from which it has been calculated has been certified by BSI. The efficiency value may be used in the UK Government's Standard Assessment Procedure (SAP) for energy rating of dwellings.

### 1.1 CONDITIONS OF INSTALLATION

It is the law that all gas appliances are installed only by a GAS SAFE Registered Installer, in accordance with these installation instructions and the Gas Safety (Installation and Use) Regulations 1998 as amended. Failure to install appliances correctly could lead to prosecution. It is in your own interest and that of safety to comply with the law.

The installation must also be in accordance with all relevant parts of the Local and National Building Regulations where appropriate, the Building Regulations (Scotland Consolidation) issued by the Scottish Development Department, and all applicable requirements of the following British Standard Code of Practice.

1. B.S. 5871 Part 2 Installation of Gas Fires
2. B.S. 6891 Installation of Gas Pipework
3. B.S. 5440 Parts 1 & 2 Installation of Flues and Ventilation
4. I.S 813 : 1996 Domestic Gas Installation, issued by the National Standards Authority of Ireland.

### 1.2 FIREPLACE / SURROUND SUITABILITY

The fire must only be installed on a hearth it **must not be installed directly onto carpet or other combustible floor materials.**

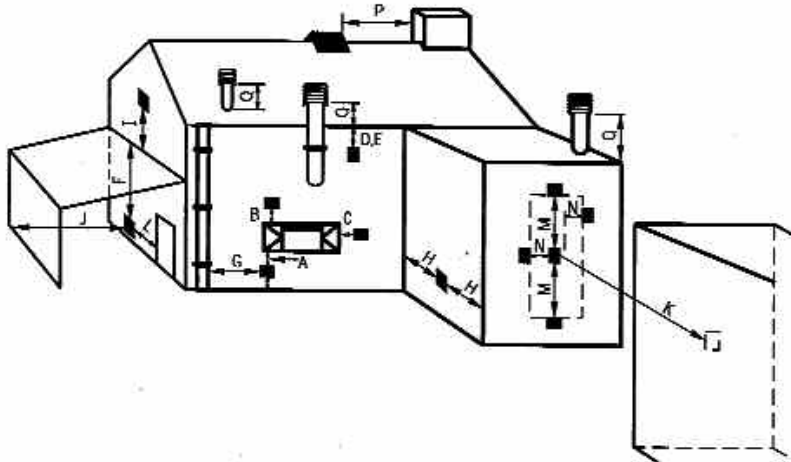
If a heating appliance is fitted directly against a wall combustible material must be removed from behind it. Soft wall coverings such as blown vinyl, wall paper etc. could be affected by the rising hot air and scorching and/or discoloration may result. Due consideration should be made to this when installing or decorating.

**This product can only be installed with surround designs available from the MM Collection or designs which meet the criteria as required by BFM Europe. For further details of specification requirements please contact BFM Europe Technical Service.**

### 1.3 FLUE TERMINAL POSITION

The minimum acceptable dimensions from the flue terminal to obstructions and ventilation openings are shown below and listed in the table. It is important that the position of the flue allows the free passage of air across it at all times. The minimum acceptable space from the flue terminal to obstructions and ventilation openings are specified below (figure 2).

Fig. 2



DIMENSION	TERMINAL POSITION	MINIMUM DIMENSION
A	Directly below an opening, air brick, opening window	300mm (12in)
B	Above an opening, air brick, opening window	300mm (12in)
C	Horizontally to an opening, air brick, opening window etc.	300mm (12in)
D	Below gutters, soil pipes or drain pipes	300mm (12in)
E	Below eaves	300mm (12in)
F	Below balconies or car port roof	600mm (24in)
G	From a vertical drain pipe or soil pipe	300mm (12in)
H	From an internal or external corner	600mm (24in)
I	Above ground roof or balcony level	300mm (12in)
J	From a surface facing the terminal	600mm (24in)
K	From a terminal facing the terminal	600mm (24in)
L	From an opening in the car port	1200mm (48in)
M	Vertically from a terminal on the same wall	1500mm(59in)
N	Horizontally from a terminal on the same Wall	300mm (12in)
O	NOT APPLICABLE	N/A
P	NOT APPLICABLE	N/A
Q	NOT APPLICABLE	N/A

## 1.4 SHELF POSITION

This fire must not be fitted below combustible shelf materials.

## 1.5 HEARTHES

If installing with a hearth panel this appliance must only be installed with the BFM Europe supplied hearth panel or an alternative item as dimensionally approved by BFM Europe. For hole in the wall installations with trims please see section 2.2.2 / 2.2.3

# SECTION 2 INSTALLATION OF FIRE

## 2.1 UNPACKING THE FIRE

Carefully lift the fire out of the carton. Remove the loose item packaging carefully from the front of the appliance. Check the contents as listed :-

### Packing Check List - All Models

- 1 off Combustion chamber & glass frame assembly
- 1 off Boxed ceramic fuel-bed set (packed inside combustion chamber)
- 1 off Wall plate and screws
- 1 off Flue terminal / pipe unit
- 1 off Flue terminal guard
- 1 off Installation / user book (combined)
- 1 off Guarantee card
- 1 off Loose items pack – containing :-
  - 1 off standard fixing kit
  - 4 off 1.5V AA batteries
  - 1 off 9V battery
  - 1 off thermostatic remote handset wall bracket and fixings
  - 4 off 8mm rawpugs & fixing screws
  - 1 off length of foil tape 500mm
  - 4 off 8mm nylon plugs
  - 4 off 30mm wood screws
  - 2 off surround securing brackets
  - 1 off glass removal tool
  - 1 off Embaglow material
  - 1 off 25mm grommet

### **Pack 2 of 2 - Limestone Surround**

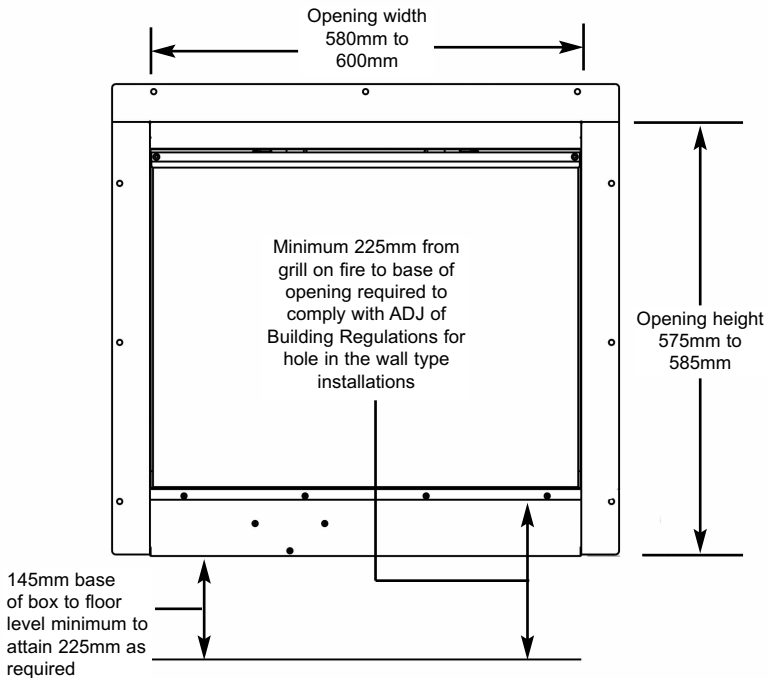
- 1 off hearth panel
- 1 off R/H leg
- 1 off L/H leg
- 1 off R/H infill section
- 1 off shelf top section
- 1 off top infill section
- 1 off shelf top infill section
- 1 off L/H infill section
- 1 off bottom infill section

## 2.2 FIRE PLACE OPENING

### 2.2.1 FIREPLACE OPENING FOR “ENGINE ONLY” APPLICATIONS

2.2.2 The front opening of the fire place must be between 580mm and 600mm wide, between 575mm and 585mm high and 205mm deep (130mm with spacer). If the opening exceeds these dimensions then an opening must be constructed from suitable non-combustible material. See below in figure 3.

Fig. 3



2.2.3 If fitting as a hole in the wall type installation with a trim the fire must be fitted in accordance with approved document J of the building regulations and hence at a height of 225mm above floor height, to achieve this please install the base of the firebox at a minimum height of 145mm from the floor level as shown above in figure 3.



## 2.2.4 FIREPLACE OPENING FOR SURROUND INSTALLATIONS

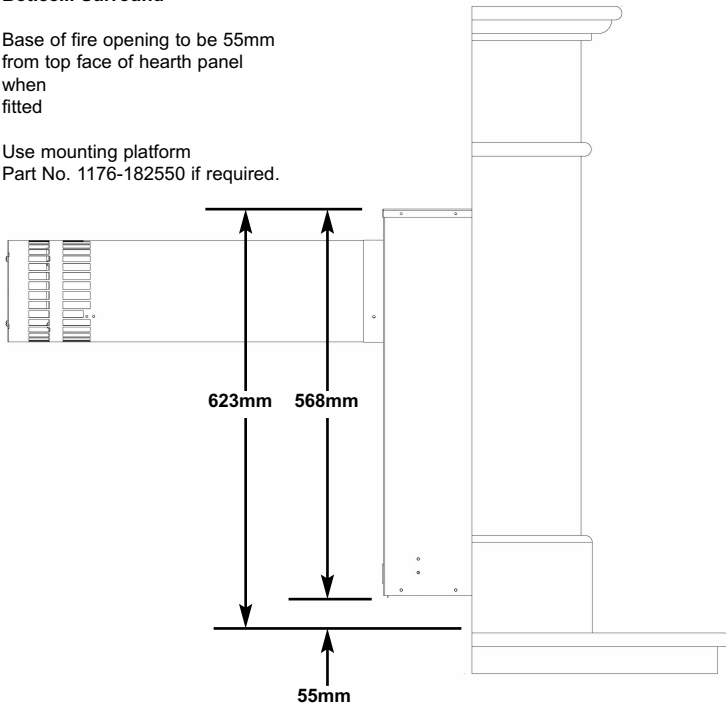
- 2.2.5 If fitting this fire with a surround supplied from BFM Europe then the fireplace opening of width 580mm minimum to 600mm maximum and height minimum 575mm to maximum 585mm needs to be prepared at the height shown in figure 4 below. Fit and bed the hearth panel in accordance with section 2.9.2 in order to obtain the correct position of the fire and the hole centre of the flue as detailed in section 2.3.2
- 2.2.6 There is a mounting platform available as an optional extra from the manufacturer to assist with installation, please request part no. 1176-182550.

**Fig. 4**

### Boticelli Surround

Base of fire opening to be 55mm from top face of hearth panel when fitted

Use mounting platform Part No. 1176-182550 if required.



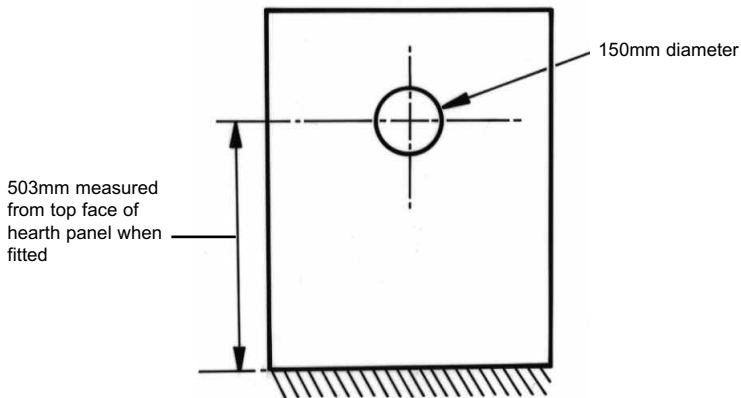
**NOTE :- If installing with a retailer designed surround package (i.e. not supplied by BFM Europe) then please consult the retailer to determine installation height required for the fire.**

## 2.3 PREPARATION OF THE WALL

2.3.1 The appliance and flue pipes must be installed at right angles to the mounting wall. The appliance itself should be installed vertically against a flat wall. Where an uneven wall surface is found, appropriate action should be taken to ensure that the appliance is not stressed or does not distort when installed.

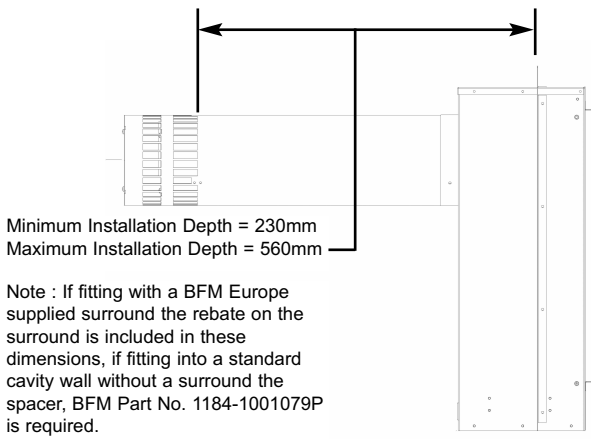
2.3.2 Ensure that the surface onto which the appliance is mounted onto is flat. The minimum height from the top face of the hearth to the centre of the flue is shown on figure 5 below for appliances fitted with BFM supplied surrounds when measured from the top face of the installed hearth panel.

**Fig. 5**



2.3.3 See figure 6 below that details minimum and maximum installation depths from mounting flange on fire to outer face of brickwork.

**Fig. 6**



## **2.4 PREPARATION OF THE FLUE HOLE**

2.4.1 Mark the position of the centre of the flue on the inner wall.

2.4.2 Cut hole for outer flue pipe. There are two possible methods to achieve this, either core drill or via hammer and chisel.

2.4.3 To core drill, proceed as follows :-

Drill a pilot hole through the wall, in position as specified in figure 5.

Using a 6" core drill, drill the flue hole.

To Hammer and chisel, proceed as follows :-

Mark the position of the centre of the flue pipe as specified in figure 5.

Mark the position of the hole around this point.

Chisel out the area as marked on the wall.

2.4.4 We then recommend that a cardboard cylinder is placed around the flue pipe and inserted in the chiselled out hole whilst making good.

**NOTE :- If the appliance is to be installed into a building under construction, it is recommended that a non-corrosive metal tube of 6" diameter be inserted into the position of the hole.**

## 2.5 ROUTING / INSTALLATION OF THE GAS SUPPLY

2.5.1 Before installing the firebox, decide from which side or if a rear connection to the gas supply is required. Plan the pipe run to enter the firebox from the left, right or rear and connect to the inlet elbow. See below :-

2.5.2 If concealed pipe work is required plan the pipe run to enter the fire box through the opening in the rear of the fire box and connect to the inlet elbow. See section 2.15 for burner removal to obtain access to the inlet elbow cover plate. See figure 7 & 8 below for a suggested concealed pipe layout.

Fig. 7

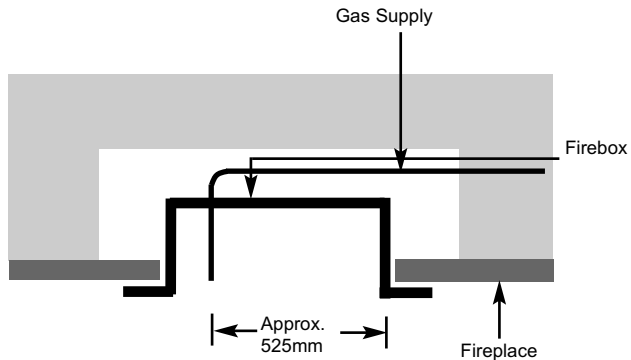
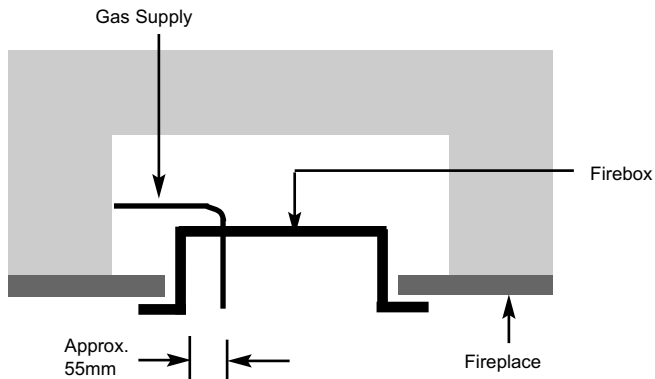


Fig. 8



**Note :** Before breaking into the gas supply a pressure drop test should be carried out to establish that the existing pipework is sound.

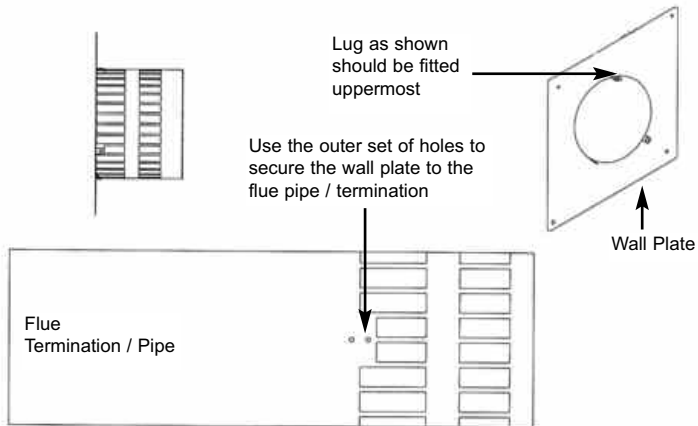
## 2.6 PREPARATION OF THE FLUE DUCT

- 2.6.1 Place the firebox into the fire opening with fire surround correctly secured in the final position. From the outside of the house measure from the face of the outside wall to the rear panel of the firebox through the flue hole. Cut the flue duct to this size.

### IMPORTANT : ENSURE THE PIPES ARE CUT SQUARELY.

- 2.6.2 The joint between the firebox and the flue duct as shown below in figure 9 must be secured with screws and sealed with the foil tape as supplied. In order to do this, the wall plate must be removed from the flue pipe / termination.

Fig. 9

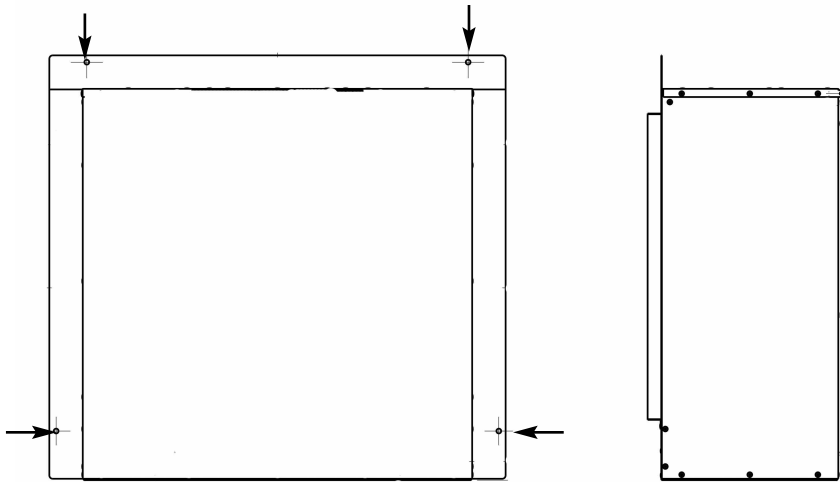


- 2.6.3 Due to the varying lengths of flue that will be required via differing installations it will be necessary to drill the flue pipe using the 3 off holes in the mounting flange on the rear of the combustion chamber as a guide for positioning. When the holes have been drilled and the screws fitted, wrap the joint with the foil tape supplied.
- 2.6.4 Re-fit the wall plate ensuring the outer set of holes as indicated above in figure 9 are used. Use a high temperature sealant to secure the wall plate to the outside wall of the property before securing with the screws and rawplugs supplied to ensure a mechanical fix.

## 2.7 SECURING OF FIREBOX TO THE OPENING

- 2.7.1 The firebox must be secured to the opening using four screws and wall plugs (not provided). See figure 10 below that indicates the hole centre positions available on the firebox to facilitate the screw fixing to the fireplace opening.

Fig. 10



## 2.8 INSTALLATION OF THE FIREBOX

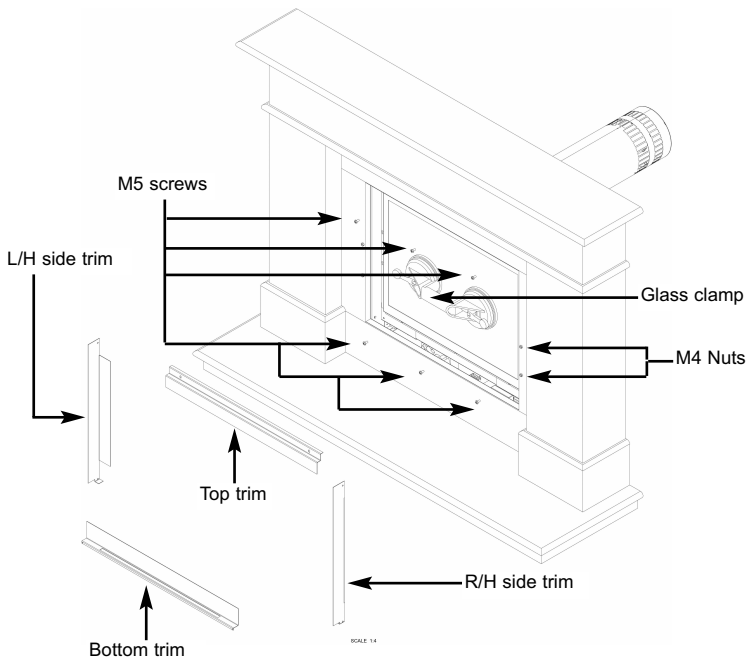
2.8.1 Remove the top trim, L/H trim & R/H trim (held in place by M4 screws) then lift the bottom trim clear of the firebox as shown below in figure 11.

2.8.2 Fit the glass clamp to the glass panel as shown below in figure 11.

2.8.4 Remove the 3 off M5 screws at the top and bottom of the glass frame and the 2 off M4 nuts at the left and right hand side of the glass frame as shown below in figure 11.

2.8.5 The glass frame can now be lifted clear via the glass clamp as shown below in figure 11.

**Fig. 11**



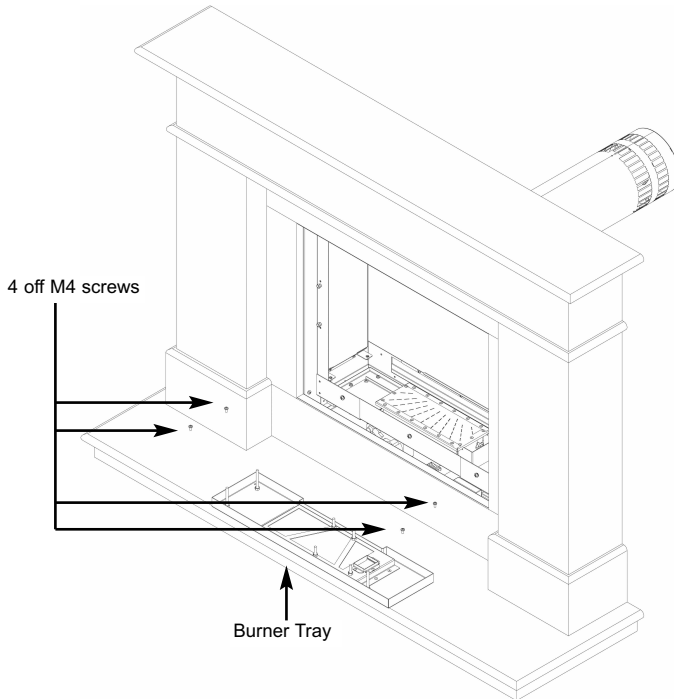
2.8.6 Store the glass panel in a safe place.

2.8.7 Re-assemble in reverse order when re-fitting the glass assembly.

**2.8.8 DO NOT OPERATE THE FIRE WITHOUT THE GLASS PANEL IN POSITION OR NOT CORRECTLY LOCATED.**

2.8.9 Remove the four off M4 screws which hold the burner tray in position as shown below in figure 12.

**Fig. 12**



2.8.10 Lift the burner tray clear from the firebox.

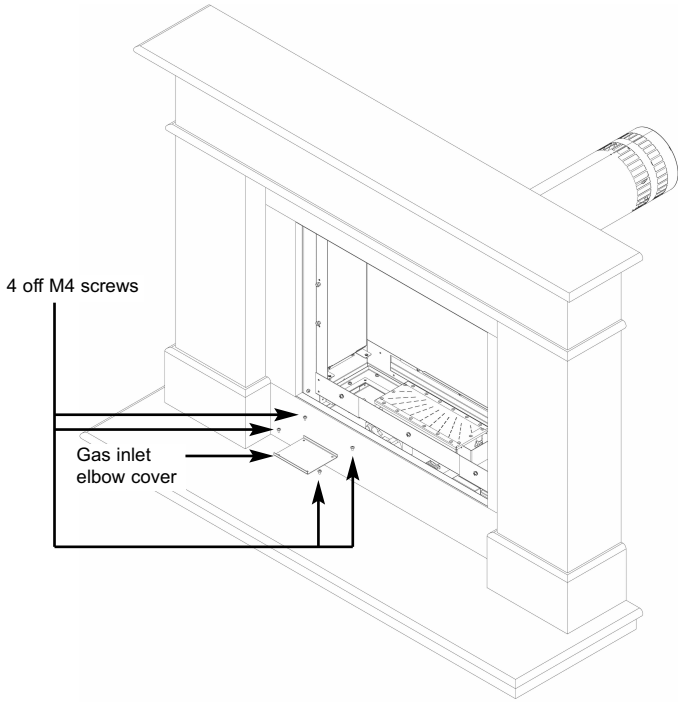
2.8.11 This will allow access to the gas inlet elbow cover which is situated to the left hand side of the burner.

2.8.12 Remove the gas inlet cover (held in position by 4 off screws) as shown overpage in figure 13.

2.8.13 Connect the gas supply pipe run prepared as per section 2.5 to the inlet elbow.



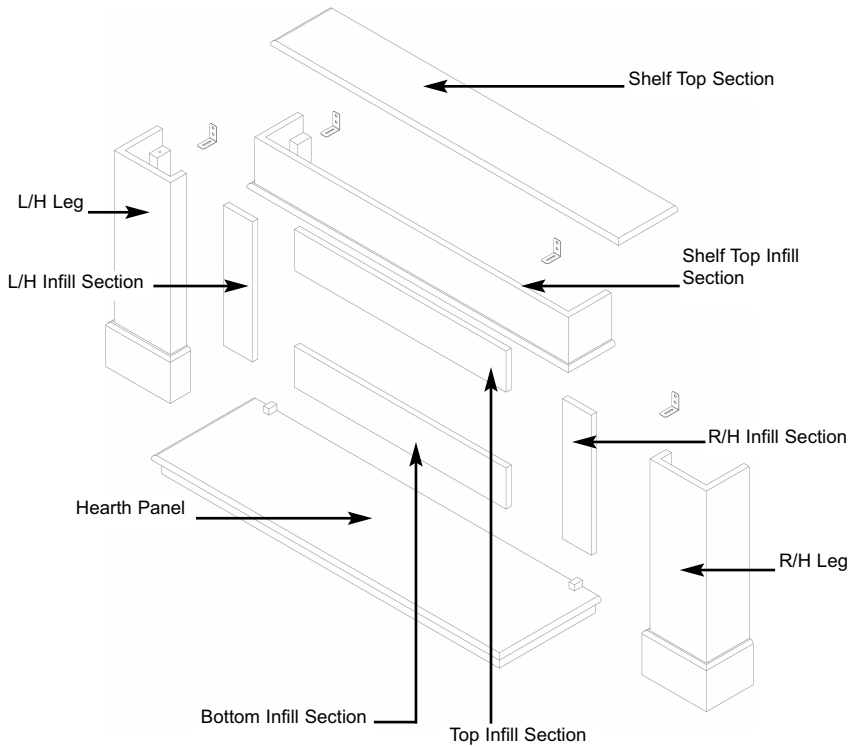
**Fig. 13**



## 2.9 INSTALLING THE “BOTICELLI” SURROUND

- 2.9.1 Unpack the surround from the wooden crate, check all parts are present as per figure 14 overpage and carefully store the components.
- 2.9.2 The underside of the hearth should be painted with a weak PVA (8 parts water to 1 part PVA). This will prevent staining penetrating through the stone. The hearth must be centered to the opening. If the fireplace is to be installed on a chimney breast ensure that the opening is also centered to the chimney breast. It is essential that the hearth is completely level. The hearth must be bedded down on bonding or an equivalent material. Avoid cement based products and ensure the hearth is firmly fitted and well supported. Allow the bedding material to set before any weight is placed onto the hearth. Wipe off any surplus bonding material with a wet sponge.
- 2.9.3 Fit bottom section to hearth, ensure it is central before fixing with a suitable mastic adhesive.
- 2.9.4 Fit brackets to top of legs, offer leg up to wall and mark position of fixing hole on wall, use shelf to ensure legs are correctly spaced / positioned. Remove shelf then cover hearth with dust sheet and drill the fixing holes. Remove the brackets from the legs, fix the side infills into place with suitable adhesive and secure the leg fixing brackets only to the wall. Fit legs to brackets that have been securely attached to the wall with fixings as detailed in 2.9.5
- 2.9.5 Assess the chimney breast onto which the fire is to be installed and ensure that it is of sound construction and suitable for supporting the weight of the surround. Fixings used to secure the leg brackets to the masonry of the chimney breast shall be of expansive stainless steel or galvanised steel type masonry fixings for dense concrete blockwork or brickwork. Where fixings are located into light weight blockwork or friable aggregate blocks, the fixings shall be of the resin anchor type.**
- 2.9.6 Fix the shelf top infill section and shelf infill into place again utilising the same procedure as for the legs, i.e. mark positions, drill holes to suit, remove brackets and secure brackets to wall with suitable fixings as detailed in 2.9.5
- 2.9.7 Fit shelf top section into place ensuring it is correctly centered, mark the position of holes for securing brackets on wall, remove shelf and drill wall and insert fixings in accordance with 2.9.5, these brackets can be recessed if required.
- 2.9.8 Once the fireplace is correctly installed, grout all of the joints including between the fireplace and the wall with a water based cream mastic or tile grout. Ensure all surplus grout is immediately removed by washing the stonework using a sponge and clean water.

## 2.9 - Fig. 14 - Boticelli Surround



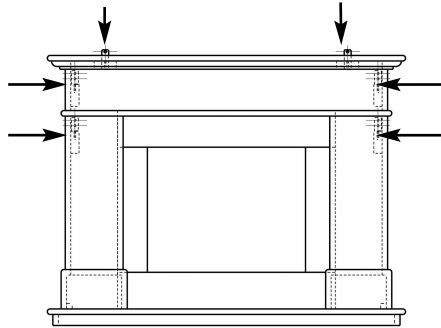
Contents of Boticelli surround :-

- 1 off hearth panel
- 1 off R/H leg
- 1 off L/H leg
- 1 off R/H infill section
- 1 off L/H infill section
- 1 off bottom infill section
- 1 off shelf top infill section
- 1 off shelf top section
- 1 off top infill section

## 2.10 CHECKING MECHANICAL FIXING OF SURROUND COMPONENTS

2.10.1 Ensure that the surround components as shown below in figure 15 are mechanically secured as indicated, this is required in accordance with the latest revision of *BS 1251 : 2015 Open Fireplace Components*.

**Fig. 15**



## **2.11 MAKING THE GAS CONNECTION / PRESSURE TESTING**

**THIS APPLIANCE IS INTENDED FOR USE ON A GAS SUPPLY WITH A GOVERNED METER.**

- 2.11.1 The gas connection should be made to the appliance inlet elbow to using 8mm rigid tubing.
- 2.11.2 Remove the pressure test point screw from the inlet elbow and fit a manometer.
- 2.11.3 Turn on the main gas supply and carry out a gas tightness test. Light the fire (see section 3.3 for instructions).
- 2.11.4 Check that the gas pressure is **20.0 mbar (+/- 1.0mbar) 8.0 in w.g.(+/- 0.4 in w.g.)**. Turn off the fire, remove the manometer and refit the pressure test point screw. Check the pressure test point screw for gas tightness with the appliance turned on using a suitable leak detection fluid or detector.

## **2.12 FITTING THE TERMINAL GUARD**

- 2.12.1 With the flue terminal in position, place the terminal guard over the top of the flue terminal and mark the position of the holes on the outer wall.
- 2.12.2 Remove the terminal guard and drill the 4 off 6 mm holes.
- 2.12.3 Insert the raw plugs into the drilled holes, replace the terminal guard over the top of the flue terminal and attach to the wall using the No.12 x 40mm screws provided with the terminal guard.

**NOTE :** In England & Wales, building regulations require that a terminal guard should be fitted if the terminal could come into contact with people near the building or be subject to damage. BFM Europe Ltd. also recommend the fitting of a flue terminal guard where regulations do not demand that it be fitted. A suitable flue terminal guard is supplied with the appliance.

## SECTION 3

### 3.1 ASSEMBLING THE LOG FUEL-BED

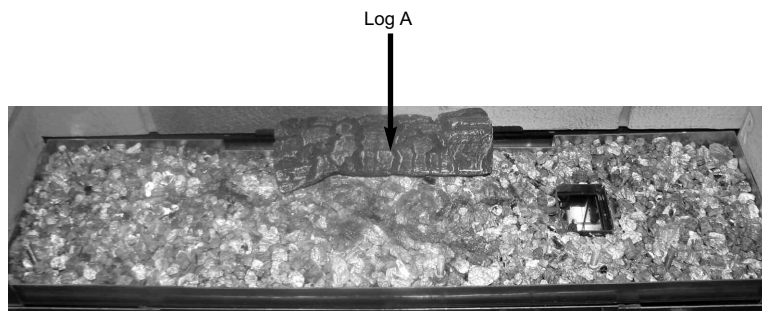
- 3.1.1 Lay an even layer of vermiculite material across the burner tray as shown below in figure 16.

**Fig. 16**



- 3.1.2 Place log "A" in a central position as shown below in figure 17, using the two location holes on the base of the log to position in line with the location pegs on the burner tray.

**Fig. 17**



- 3.1.3 Place log “B” in position at the right hand side of the burner as shown below in figure 18, using the location holes in the base of the log as a guide for placement onto the burner tray.

**Fig. 18**



- 3.1.4 Place log “C” in position at the right hand side of the burner as shown below in figure 19, using the locating hole in the base of the log and the location pin at the front right hand side as a guide for placement.

**Fig. 19**



- 3.1.5 Place log “D” in position at the left hand side of the burner as shown below in figure 20, using the locating hole in the base of the log and the location pin at the rear left hand side as a guide for placement.

**Fig. 20**



- 3.1.6 Place log “E” in position at the left hand side of the burner as shown below in figure 21, using the locating hole in the base of the log and the location pin at the front right hand side as a guide for placement. Log “E” should be positioned on top of log “D” as shown in figure 21 below.

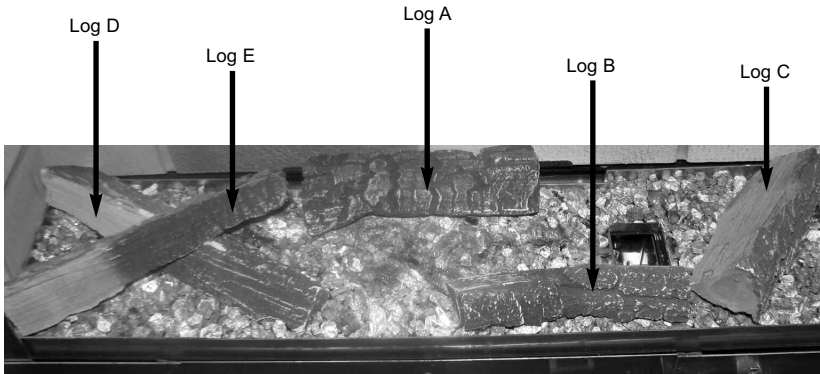
**Fig. 21**





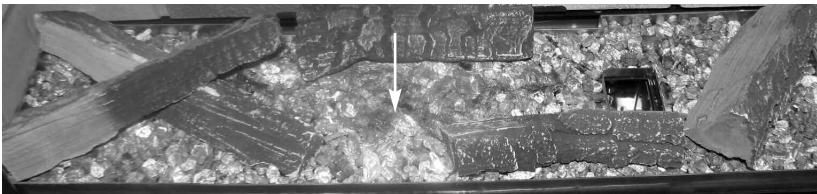
3.1.7 As a final check ensure that the logs are laid correctly as shown below in figure 22.

**Fig. 22**



3.1.8 If required fit the embaglow material over the flame ports. To do this separate into short strands and place randomly over the centre flame porting area as indicated by the arrows below in figure 23.  
**This material is only supplied to improve flame aesthetics and is optional to install.**

**Fig. 23**



3.1.9 Re-fit the glass frame assembly in reverse order to that described in section 2.5

**Warning : Use only the log fuel-bed supplied with the fire. When replacing the log fuel-bed remove the old log fuel-bed and discard it. Fit a complete log fuel-bed from the manufacturer, only use genuine replacements.**

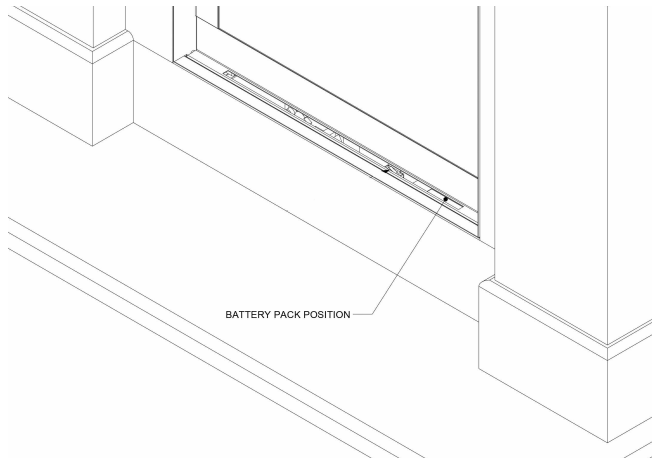
**THE FOLLOWING STATEMENT IS APPLICABLE TO ALL FUEL-BED COMPONENTS**

**This appliance does not contain any component manufactured from asbestos or asbestos related products.**

## 3.2 FITTING THE BATTERIES

- 3.2.1 The battery pack is located under the front grill at the right hand side as shown below in figure 24.

**Fig. 24**



- 3.2.2 Lift battery pack from its retaining bracket, remove rear cover (held in position by screw) and then fit 4 off AA batteries. Replace cover and then re-position battery pack within retaining bracket.
- 3.2.3 Fit 1 off 9V battery to handset - removing rear cover, fit batteries and replace rear cover.

### 3.3 LIGHTING THE APPLIANCE

**IMPORTANT : IF THE BURNER IS EXTINGUISHED FOR ANY REASON YOU MUST ENSURE THAT YOU WAIT A FULL FIVE MINUTES BEFORE ATTEMPTING TO RE-LIGHT THE FIRE.**

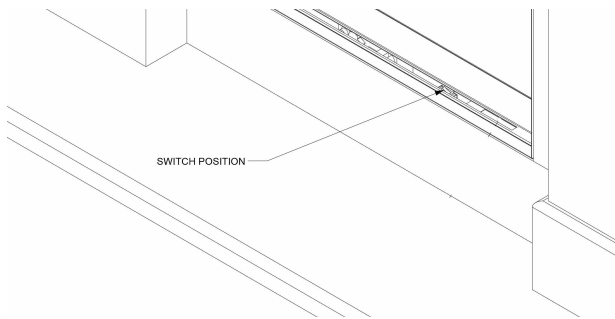
The product is controlled by the remote handset supplied with the fire. Ensure the 1 off 9V battery as supplied in the loose items pack has been fitted to the remote handset before attempting to use the handset.

There are 3 modes of operation of the product, "MANUAL mode", "TEMPERATURE mode" and "TIMER mode".

#### 3.3.1 Operation of the Fire in "MANUAL" mode

3.3.1.1 Locate the ON/OFF switch on the appliance, it is situated behind the access cover at the bottom of the as shown below in figure 25. Ensure that the on / off switch on the valve is in the "ON" (1) position

**Fig. 25**



3.3.1.2 The remote handset is now used to control all functions of the fire. To light the fire, press the "UP" arrow and "OFF" button simultaneously. as shown on figure 26 below. You will hear a click and the fire begins a 30 second ignition process. The pilot and main burner will light. The appliance is now in "MANUAL mode" which will be shown via the "MAN" graphic on the display of the handset as shown below in figure 26.

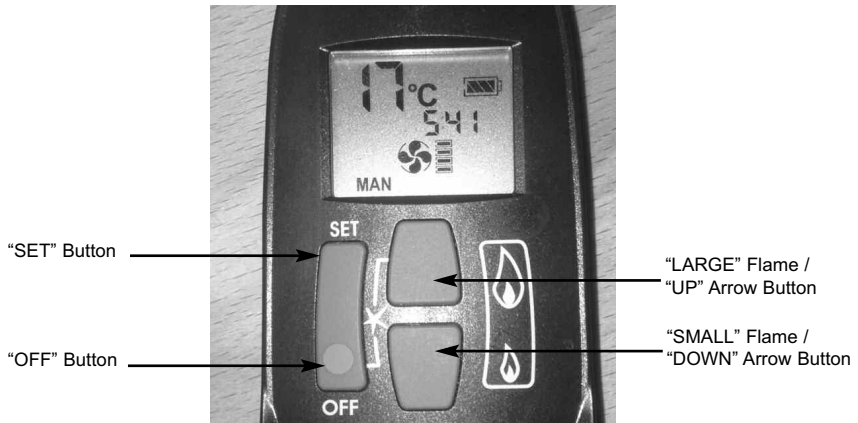
**Fig. 26**

Manual Graphic  
on Handset Display



3.3.1.3 With the product in “MANUAL” mode the fire can now be switched between HIGH rate heat input and LOW rate heat input by pressing the “DOWN” arrow on the handset. To reduce the flame height of the main burner incrementally, press the arrow momentarily. To reduce the heat input directly down to the minimum level, press the “SMALL” flame arrow on the handset twice, “LO” will be displayed. NOTE : The flame will go to HIGH rate heat input before going to designated LOW rate heat input. To return back to HIGH rate heat input press the “LARGE” flame button twice. To put the fire in In “STANDBY MODE” (only the pilot remains lit) press and hold the “SMALL” flame arrow on the handset. See figure 27 below.

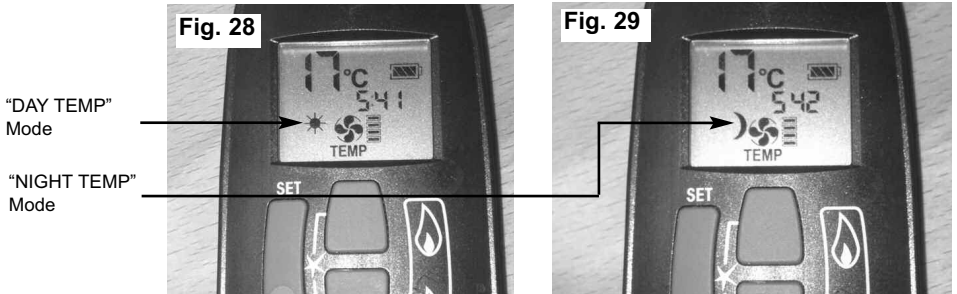
**Fig. 27**



3.3.1.4 To turn the fire off, press the “OFF” button, this will extinguish all flames including the pilot.

### 3.3.2 Operation of the Fire in “TEMPERATURE” mode

- 3.3.2.1 In order to change the mode of operation from “MANUAL” to “TEMPERATURE”, press the “SET” button, the fire will then change to either “DAY TEMP” (figure 28) mode or “NIGHT TEMP” mode (figure 29). To alternate between the 2, press the “SET” button. **The display on the handset will show the current temperature in the room.**



**NOTE :** The “SET” button allows you to alternate between all modes of operation :- “MANUAL”, “DAY TEMP”, “NIGHT TEMP”, “TIMER” and back to “MANUAL”. Alternatively, pressing either the “UP” or “DOWN” arrow allows the unit to revert to “MANUAL” mode. **Fire must be in standby mode (pilot must be lit) for temperature mode to be used.**

- 3.3.2.2 Within the “TEMPERATURE” mode there are options for either “DAY TEMP” or “NIGHT TEMP”. These temperatures can be set independently to allow a higher temperature to be maintained at night than during the day, or if setting the same temperature for day and night the fire will compensate for the generally cooler evening temperatures and automatically increase the heat input level accordingly.
- 3.3.2.3 To set the temperature, ensure the handset is in “TEMPERATURE” mode and then press the “SET” button until the “TEMP” display flashes then let go. Proceed to set the desired temperature by pressing the “UP” (large flame) or “DOWN” (small flame) arrows as necessary, then press “OFF” to complete the process.  
**NOTE :** Minimum temperature is 5°C, Maximum temperature is 30°C, or minimum 41F to maximum 86F when in Fahrenheit mode.
- 3.3.2.4 Press the “OFF” button to stop the display flashing or wait to return to “TEMPERATURE” mode. **NOTE :** If you set a temperature below the current room temperature the fire will switch to standby mode (pilot burner only) until the room has cooled to the temperature you have set on the handset display.
- 3.2.2.5 If you would like the “NIGHT TEMP” to turn the fire off then decrease the temperature until [----] is displayed.

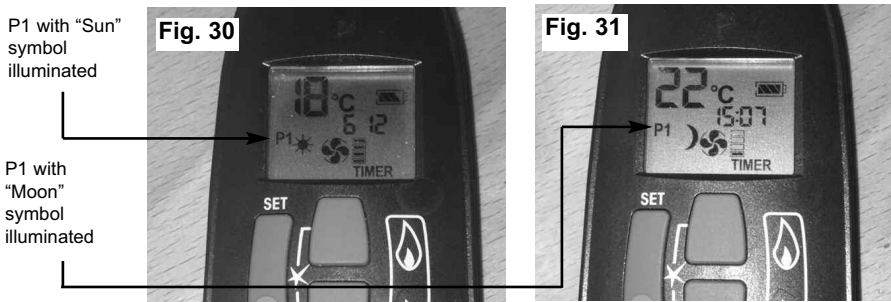
### 3.3.3 Operation of the Fire in “TIMER” mode

3.3.3.1 In order to change the mode of operation from “MANUAL” to “TIMER”, press the “SET” button, the fire will then alternate between the settings until the “TIMER” mode is displayed.

**NOTE :** The “SET” button allows you to alternate between all modes of operation :- “MANUAL”, “DAY TEMP”, “NIGHT TEMP”, “TIMER” and back to “MANUAL”. Alternatively, pressing either the “UP” or “DOWN” arrow allows the unit to revert to “MANUAL” mode. **Fire must be in standby mode (pilot must be lit) for temperature mode to be used.**

3.3.3.2 Within the “TIMER” setting mode there are two programmable settings you can make over a 24 hour period, namely P1 and P2. To set the timer, ensure the handset is in “TIMER” mode as detailed in section 3.3.3.1 above.

3.3.3.3 To set the P1 timed start setting, press and hold the “SET” button until the P1 (sun symbol is displayed as per figure 30 below) and the time flashes. Set the hour by pressing the “UP” (large flame) and set the minutes (in ten minute increments) by pressing the “DOWN” (small flame) as necessary, then press “OFF” button to complete the process. Repeat for the P1 (moon symbol is displayed as per figure 31 below) Set the hour by pressing the “UP” (large flame) and set the minutes (in ten minute increments) by pressing the “DOWN” (small flame) as necessary, then press “OFF” button to complete the process.



3.3.3.4 To set the P2 timed setting, press the “SET” button until the “TIMER” mode is displayed. Hold the “SET” button until the display flashes the current time for P1. Press the “SET” button again to scroll past the setting for P1 (sun) and P1 (moon). The time should now be flashing on the handset. Set the hour by pressing the “UP” (large flame) and set the minutes (in ten minute increments) by pressing the “DOWN” (small flame) as necessary, then press “OFF” button to complete the process.

### **3.3.4 Low Battery Signal**

- 3.3.4.1 When the battery in the handset needs replacing, “BATT” will be displayed on the handset.
- 3.3.4.2 Remove the cover on the rear of the handset and replace the 1 off 9V battery as necessary.

### **3.3.5 To Set the Time on the Remote Handset**

- 3.3.5.1 Simultaneously press the “UP” (large flame) arrow and “DOWN” (small flame) arrow buttons on the remote handset.
- 3.3.5.2 Press the “UP” (large flame) arrow to set the hour and the “DOWN” (small flame) arrow to set the minutes.

### **3.3.6 To Set the °C / 24 Hour or °F / 12 Hour Clock**

- 3.3.6.1 Press and hold the “OFF” and the “DOWN” (small flame) arrow buttons on the handset simultaneously until the display changes from °C to °F and vice versa

## **3.4 Fitting the handset wall bracket**

- 3.4.1 The wall bracket is supplied in the loose items pack and is optional to fit.
- 3.4.2 If fitting the wall bracket, **please be advised that the thermostatic sensor is contained within the handset itself, so the position of the wall bracket will therefore be the position of temperature measurement within the room.** To fit, position as necessary, mark hole positions, drill and secure with fixings provided.

## **3.5 Instructing the user / product handover**

- 3.5.1 Instruct the user on the operation of the fire and the handset.
- 3.5.2 Hand the glass clamp over and advise the customer to store it in a safe place.



## **SECTION 4 MAINTENANCE**

**Servicing should be carried out annually by a competent person such as a GAS SAFE registered engineer. It is a condition of the guarantee scheme that this is carried out by a competent person i.e a GAS SAFE registered Engineer in accordance with these servicing notes and that the thermocouple is changed annually as a condition of the guarantee.**

The condition of the logs should be checked and **if necessary the whole set should be replaced with a genuine replacement set.**

The burner assembly is designed to be removed as a complete unit for ease of access. **After any servicing work a gas tightness check must always be carried out.**

### **For Diagrams refer to Section 2**

#### **4.1 Removing the burner assembly from the fire.**

- 4.1.1 Prepare work area (lay down dust sheets etc.)
- 4.1.2 Remove the glass assembly, remove the ceramic logs and vermiculite.
- 4.1.3 Unscrew and remove the four screws which retain the fuel-bed support, then lift clear.
- 4.1.4 Remove the gas inlet elbow access panel via 4 off screws, isolate the gas supply and disconnect the valve inlet pipe from the gas supply into the fire.
- 4.1.5 Remove the 11 off screws which hold the burner tray to the firebox then lift the burner unit and controls assembly clear of the fire.
- 4.1.6 To refit the burner assembly, locate the burner unit and refit the 11 off screws. Refit the fuel-bed support and logs referring to section 3 for the correct log positions. Re-fit the glass frame assembly.

#### **4.2 Removing the gas control valve**

- 4.2.1 Remove the burner assembly as detailed in section 4.1
- 4.2.2 Disconnect the inlet pipe, main burner to injector pipe and pilot pipe.
- 4.2.3 Unscrew the interrupter and disconnect the wiring.
- 4.2.3 Remove the valve retaining screws and remove the valve. Re-assemble in reverse order and carry out a gas tightness test.

### **4.3 Removing the pilot assembly.**

- 4.3.1 Prepare work area (lay down dust sheets etc.)
- 4.3.2 Remove the burner assembly as detailed in section 4.1
- 4.3.3 Loosen the pilot nut and remove the two screws retaining the pilot assembly. Disconnect the ignition lead. Unscrew the thermocouple from the gas valve interrupter on the rear of the gas valve. Replace the pilot bracket gasket as necessary.
- 4.3.4 Re-assemble in reverse order with a replacement thermocouple and carry out a gas tightness test.

### **4.4 Removing the control board.**

- 4.4.1 Remove the burner assembly as detailed in section 4.1
- 4.4.2 Disconnect the interrupter wires, & wiring loom and then lift the control board clear. Replace in reverse order and re-code handset to the new receiver.

## 4.5 PARTS SHORTLIST

Replacement of any other parts must be carried out by a competent person such as a GAS SAFE registered gas installer. The part numbers of the main replaceable parts are as follows, these are available from your local The Collection by Michael Miller stockist, whose details can be found on the BFM Europe website, in the “stockist” section.

GV60 Gas control valve	B-92200
GV60 Receiver unit	B-153140
GV60 Remote control thermostatic handset	B-159270
GV60 8 wire cable	B-153720
GV60 On/off switch with cables	CV-104931
Thermocouple Interrupter	B-93300
Cable Interrupter	B-93310
Ignition wire	CV-104934
Glass assembly	1184-186120
Glass panel	B-1005255
Glass seal	B-1000533
Complete log set	B-1001819
Log “A” only	B-1001803
Log “B” only	B-1001806
Log “C” only	B-1001811
Log “D” only	B-1001813
Log “E” only	B-1001815
Emba-glow material	B-120070
Bag of vermiculite	CV-107116
Pilot assy	CV-104530

## SECTION FIVE - USER INSTRUCTIONS

### 5.1 Installation Information

#### Conditions of Installation

It is the law that all gas appliances are installed only by a competent (e.g. GAS SAFE) Registered Installer, in accordance with the installation instructions and the Gas Safety (Installation and Use) Regulations 1998. Failure to install appliances correctly could lead to prosecution. It is in your own interest and that of safety to comply with the law.

The fire may be fitted below a combustible shelf provided that the shelf is at least 200mm above the top of the appliance and the depth of the shelf does not exceed 150mm.

**No purpose made additional ventilation is normally required for this appliance when installed in G.B. When installed I.E. please consult document I.S. 813 : 1996 Domestic Gas Installation which is issued by the National Standards Authority of Ireland. Any purpose made ventilation should be checked periodically to ensure that it is free from obstruction.**

If the chimney or flue has been previously used by appliances burning fuels other than gas they must be swept prior to the installation of this fire.

If this appliance and surround is fitted directly on to a wall soft wall coverings such as wallpaper, blown vinyl etc. could be affected by the heat and hot air and may discolour or scorch. This should be considered when installing or decorating.

The Model number of this appliance is as stated on the rating plate affixed to the control panel of the fire and the appliance is manufactured by:-

BFM Europe Ltd.  
Trentham Lakes  
Stoke on Trent  
ST4 4TJ

## 5.2 ABOUT YOUR NEW CELENA GAS FIRE

The Collection by Michael Miller “Celena” log effect gas fires incorporate a unique and highly developed fuel bed which gives the realism of a loose log layout combined with realistic flames and glow. The use of durable ceramic material in the construction of the fuelbed components ensures long and trouble free operation.

Please take the time to fully read these instructions as you will then be able to obtain the most effective and safe operation of your fire.

### IMPORTANT SAFETY INFORMATION

#### WARNING

**This appliance is a heating appliance and as with all heating appliances a fireguard should be used for the protection of children, the elderly and infirm. Fireguards should conform to B.S. 8423 : 2002 (Fireguards for use with gas heating appliances).** It is important that this appliance is serviced at least once a year by a GAS SAFE registered engineer. During the annual service, replacement of the pilot must be carried out. **This is a condition of the manufacturers guarantee.** Any debris or deposits should be removed from the fuel bed from time to time. This may be carried out by referring to the cleaning section as described later in this book. Only the correct number and type of logs must be used and only complete and genuine replacement sets must be used. Always keep furniture and combustible materials well clear of the fire and never dry clothing or items either on or near to the fire. Never use aerosols or flammable cleaning products near to the fire when it is in use. **The ceramic fuel bed remains hot for a considerable period after use and sufficient time should be allowed for the fire to cool before cleaning etc.**

#### IMPORTANT NOTES :

**DO NOT UNDER ANY CIRCUMSTANCES USE THIS FIRE IF THE GLASS PANEL IS BROKEN, CRACKED OR MISSING.**

**THIS APPLIANCE IS NOT INTENDED FOR USE BY PERSONS (INCLUDING CHILDREN) WITH REDUCED PHYSICAL, SENSORY OR MENTAL CAPABILITIES, OR LACK OF EXPERIENCE AND KNOWLEDGE, UNLESS THEY HAVE BEEN GIVEN SUPERVISION OR INSTRUCTION CONCERNING USE OF THE APPLIANCE BY A PERSON RESPONSIBLE FOR THEIR SAFETY. CHILDREN SHOULD BE SUPERVISED TO ENSURE THAT THEY DO NOT PLAY WITH THE APPLIANCE. ANY ELECTRICAL WORK MUST BE CARRIED OUT BY A COMPETENT, QUALIFIED ELECTRICIAN. THIS APPLIANCE CAN BE USED BY CHILDREN AGED 8 YEARS AND ABOVE AND PERSONS WITH REDUCED PHYSICAL, SENSORY OR MENTAL CAPABILITIES OR LACK OF EXPERIENCE AND KNOWLEDGE IF THEY HAVE BEEN GIVEN SUPERVISION OR INSTRUCTION CONCERNING USE OF THE APPLIANCE IN A SAFE WAY AND UNDERSTAND THE HAZARDS INVOLVED. CHILDREN SHALL NOT PLAY WITH THE APPLIANCE. CLEANING AND USER MAINTENANCE SHALL NOT BE MADE BY CHILDREN WITHOUT SUPERVISION.**

## 5.3 LIGHTING THE FIRE / USER CONTROLS

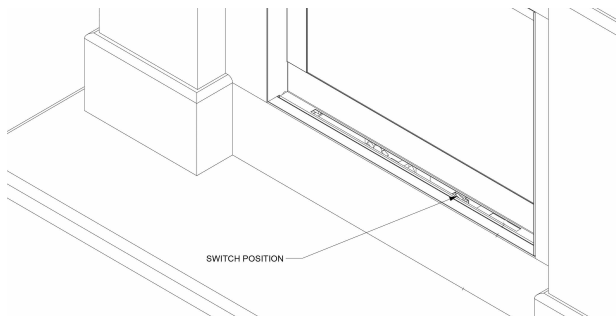
**IMPORTANT :** IF THE BURNER IS EXTINGUISHED FOR ANY REASON YOU MUST ENSURE THAT YOU WAIT A FULL THREE MINUTES BEFORE ATTEMPTING TO RE-LIGHT THE FIRE.

The product is controlled by the remote handset supplied with the fire. Ensure the 1 off 9V battery as supplied in the loose items pack has been fitted to the remote handset before attempting to use the handset. There are 3 modes of operation of the product, "MANUAL mode", "TEMPERATURE mode" and "TIMER mode".

### 5.3.1 Operation of the Fire in "MANUAL" mode

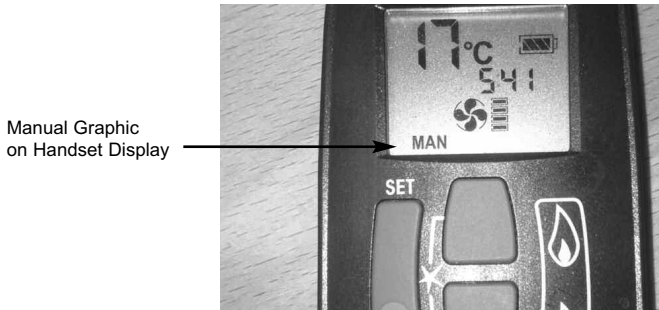
5.3.1.1 Locate the ON/OFF switch on the appliance, it is situated as shown below in figure 1. Ensure that the on / off switch is in the "ON" (1) position.

**Fig. 1**



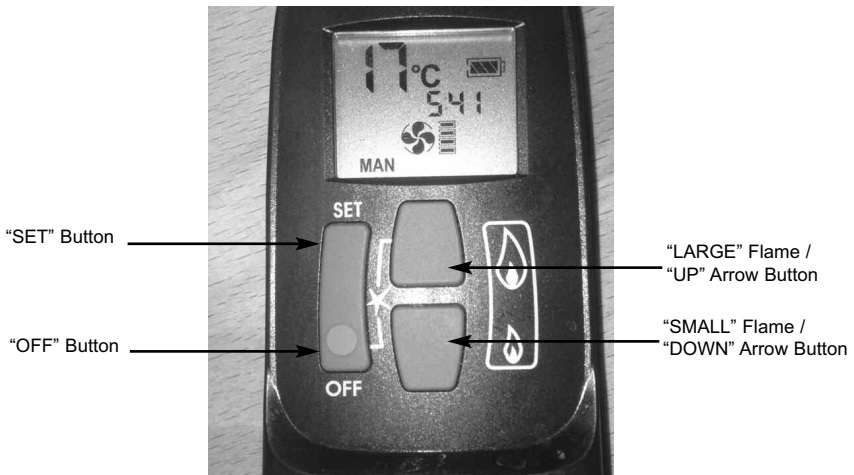
5.3.1.2 The remote handset is now used to control all functions of the fire. To light the fire, press the "UP" arrow and "OFF" button simultaneously as shown on figure 2 overpage. You will hear a click and the fire begins a 30 second ignition process. The pilot and main burner will light. The appliance is now in "MANUAL mode" which will be shown via the "MAN" graphic on the display of the handset as shown overpage in figure 2.

**Fig. 2**



5.3.1.3 With the product in “MANUAL” mode the fire can now be switched between HIGH rate heat input and LOW rate heat input by pressing the “DOWN” arrow on the handset. To reduce the flame height of the main burner incrementally, press the arrow momentarily. To reduce the heat input directly down to the minimum level, press the “SMALL” flame arrow on the handset twice, “LO” will be displayed. NOTE : The flame will go to HIGH rate heat input before going to designated LOW rate heat input. To return back to HIGH rate heat input press the “LARGE” flame button twice. To put the fire in In “STANDBY MODE” (only the pilot remains lit) press and hold the “SMALL” flame arrow on the handset. See figure 3 below.

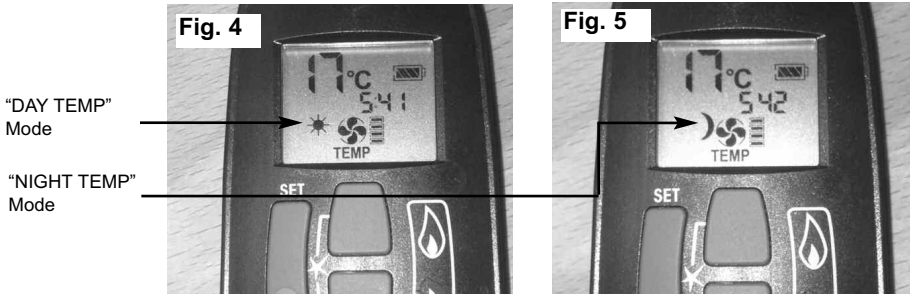
**Fig. 3**



5.3.1.4 To turn the fire off, press the “OFF” button, this will extinguish all flames including the pilot.

### 5.3.2 Operation of the Fire in “TEMPERATURE” mode

5.3.2.1 In order to change the mode of operation from “MANUAL” to “TEMPERATURE”, press the “SET” button, the fire will then change to either “DAY TEMP” (figure 4) mode or “NIGHT TEMP” mode (figure 5). To alternate between the 2, press the “SET” button. **The display on the handset will show the current temperature in the room.**



**NOTE :** The “SET” button allows you to alternate between all modes of operation :- “MANUAL”, “DAY TEMP”, “NIGHT TEMP”, “TIMER”, “LIGHT / DIMMER” and “CIRCULATING FAN” then back to “MANUAL”. Alternatively, pressing either the “UP” or “DOWN” arrow allows the unit to revert to “MANUAL” mode. **Fire must be in standby mode (pilot must be lit) for temperature mode to be used.**

5.3.2.2 Within the “TEMPERATURE” mode there are options for either “DAY TEMP” or “NIGHT TEMP”. These temperatures can be set independently to allow a higher temperature to be maintained at night than during the day, or if setting the same temperature for day and night the fire will compensate for the generally cooler evening temperatures and automatically increase the heat input level accordingly.

5.3.2.3 To set the temperature, ensure the handset is in “TEMPERATURE” mode and then press the “SET” button until the “TEMP” display flashes then let go. Proceed to set the desired temperature by pressing the “UP” (large flame) or “DOWN” (small flame) arrows as necessary, then press “OFF” to complete the process.

**NOTE :** Minimum temperature is 5°C, Maximum temperature is 30°C, or minimum 41F to maximum 86F when in Fahrenheit mode.

5.3.2.4 Press the “OFF” button to stop the display flashing or wait to return to “TEMPERATURE” mode. **NOTE :** If you set a temperature below the current room temperature the fire will switch to standby mode (pilot burner only) until the room has cooled to the temperature you have set on the handset display.

5.3.2.5 If you would like the “NIGHT TEMP” to turn the fire off then decrease the temperature until [----] is displayed.



### 5.3.3 Operation of the Fire in “TIMER” mode

5.3.3.1 In order to change the mode of operation from “MANUAL” to “TIMER”, press the “SET” button, the fire will then alternate between the settings until the “TIMER” mode is displayed.

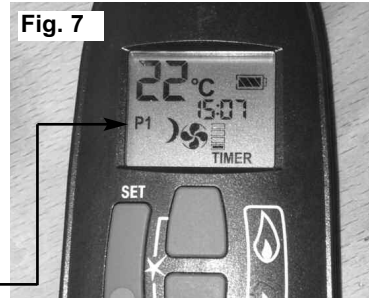
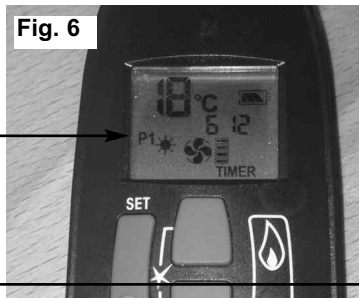
**NOTE :** The “SET” button allows you to alternate between all modes of operation :- “MANUAL”, “DAY TEMP”, “NIGHT TEMP”, “TIMER” and back to “MANUAL”. Alternatively, pressing either the “UP” or “DOWN” arrow allows the unit to revert to “MANUAL” mode. **Fire must be in standby mode (pilot must be lit) for temperature mode to be used.**

5.3.3.2 Within the “TIMER” setting mode there are two programmable settings you can make over a 24 hour period, namely P1 and P2. To set the timer, ensure the handset is in “TIMER” mode as detailed in section 5.3.3.1 above.

5.3.3.3 To set the P1 timed start setting, press and hold the “SET” button until the P1 (sun symbol is displayed as per figure 6 below) and the time flashes. Set the hour by pressing the “UP” (large flame) and set the minutes (in ten minute increments) by pressing the “DOWN” (small flame) as necessary, then press “OFF” button to complete the process. Repeat for the P1 (moon symbol is displayed as per figure below) Set the hour by pressing the “UP” (large flame) and set the minutes (in ten minute increments) by pressing the “DOWN” (small flame) as necessary, then press “OFF” button to complete the process.

P1 with “Sun”  
symbol  
illuminated

P1 with  
“Moon”  
symbol  
illuminated



### **5.3.5 Low Battery Signal**

5.3.5.1 When the battery in the handset needs replacing, "BATT" will be displayed on the handset.

5.3.5.2 Remove the cover on the rear of the handset and replace the 1 off 9V battery as necessary.

## 5.4 REMOVAL OF THE GLASS ASSEMBLY

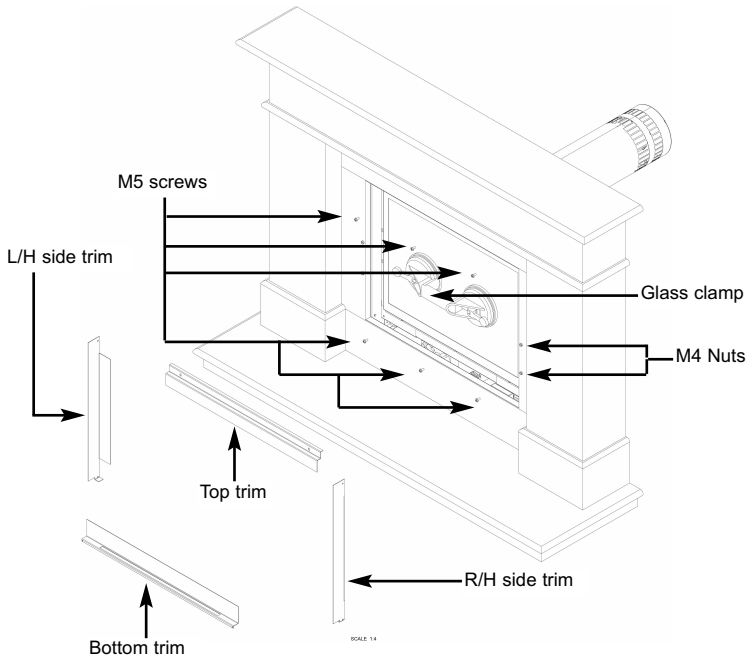
5.4.1 Remove the top trim, L/H trim & R/H trim (held in place by M4 screws) then lift the bottom trim clear of the firebox as shown below in figure 8.

5.4.2 Fit the glass clamp to the glass panel as shown below in figure 8.

5.4.3 Remove the 3 off M5 screws at the top and bottom of the glass frame and the 2 off M4 nuts at the left and right hand side of the glass frame as shown below in figure 8.

5.4.4 The glass frame can now be lifted clear via the glass clamp as shown below in figure 8.

**Fig. 9**



2.8.6 Store the glass assembly in a safe place.

2.8.7 Re-assemble in reverse order when re-fitting the glass assembly.

**2.8.8 DO NOT OPERATE THE FIRE WITHOUT THE GLASS PANEL IN POSITION OR NOT CORRECTLY LOCATED.**

## 5.5 RE-LAYING THE FUEL-BED

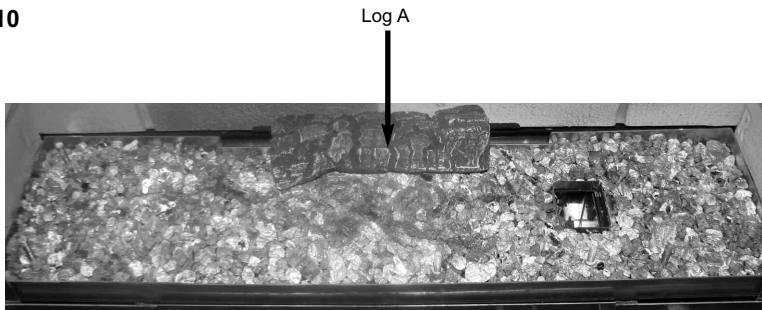
- 5.5.1 Lay an even layer of vermiculite material across the burner tray as shown below in figure 9.

**Fig. 9**



- 5.5.2 Place log "A" in a central position as shown below in figure 10, using the two location holes on the base of the log to position in line with the location pegs on the burner tray.

**Fig. 10**



5.5.3 Place log "B" in position at the right hand side of the burner as shown below in figure 11, using the location holes in the base of the log as a guide for placement onto the burner tray.

**Fig. 11**



5.5.4 Place log "C" in position at the right hand side of the burner as shown below in figure 12, using the locating hole in the base of the log and the location pin at the front right hand side as a guide for placement.

**Fig. 12**



- 5.5.5 Place log “D” in position at the left hand side of the burner as shown below in figure 13, using the locating hole in the base of the log and the location pin at the rear left hand side as a guide for placement.

**Fig. 13**



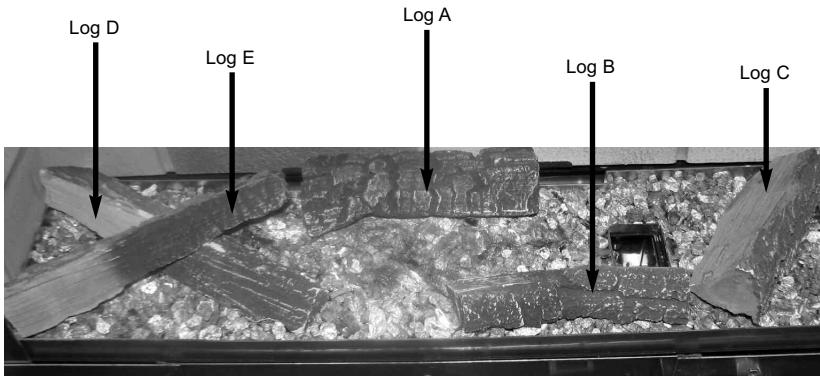
- 5.5.6 Place log “E” in position at the left hand side of the burner as shown below in figure 14, using the locating hole in the base of the log and the location pin at the front right hand side as a guide for placement. Log “E” should be positioned on top of log “D” as shown in figure 14 below.

**Fig. 14**



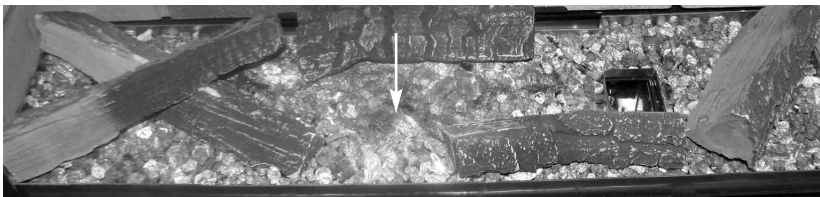
5.5.7 As a final check ensure that the logs are laid correctly as shown below in figure 15.

**Fig. 15**



5.5.8 If required fit the embaglow material over the flame ports. To do this separate into short strands and place randomly over the flame porting area as indicated by the arrows below in figure 16. **This material is only supplied to improve flame aesthetics and is optional to install.**

**Fig. 16**



5.5.9 Re-fit the glass frame assembly before proceeding.

**Warning : Use only the log fuel-bed supplied with the fire. When replacing the log fuel-bed remove the old log fuel-bed and discard it. Fit a complete log fuel-bed from the manufacturer, only use genuine replacements.**

**THE FOLLOWING STATEMENT IS APPLICABLE TO ALL FUEL-BED COMPONENTS**

**This appliance does not contain any component manufactured from asbestos or asbestos related products.**

**5.6 Cleaning the glass panel**

Before attempting any cleaning operation ensure that the fire has been allowed to fully cool. Black painted metal parts should be gently cleaned with a damp cloth.

This product is equipped with non-reflective glass which must be cleaned as follows or irreparable damage to the coating on the glass panel will occur. The manufacturers warranty will not cover damage by incorrect cleaning methods.

DO NOT USE ceramic glass cleaning agents.

DO NOT USE sharp objects or blades to remove marks.

DO NOT USE dry cloths or wipes.

DO USE normal glass cleaner such as "Sidolin".

DO USE soft glass wipes.

DO USE damp cloths.

PLEASE NOTE :- The glass will require cleaning periodically. Condensation produced by the products of combustion will create marks on the inside face of the glass panel.

**CLEANING THE FUELBED**

We do not recommend cleaning of the logs or fuelbed components as these are fragile and damage may result. **None of these parts must be washed or exposed to any cleaning agents or water.** Any damaged parts must be replaced by contacting your dealer or telephoning BFM Europe Ltd. on the number stated on the rear cover of this book. The log fuel-bed must only be replaced with a complete and genuine replacement item and the fire must never be run with a damaged item. The fuel-bed must be carefully fitted as stated in section 5.5



## 5.7 CHANGING THE BATTERIES

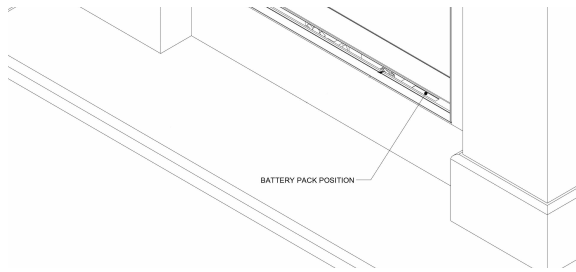
### 5.7.1 Changing the batteries in the handset

5.7.1.1 Remove and re-fit the new 1 off 9V battery by removing the cover on the back of the handset.

### 5.7.2 Changing the batteries in the fire

5.7.2.1 The battery pack is located as shown below in figure 17.

Fig. 17



5.7.2.2 Lift battery pack from its retaining bracket, remove rear cover (held in position by screw) and then fit 4 off AA batteries. Replace cover and then re-position battery pack within retaining bracket.

## 5.8 User replaceable parts

The only user replaceable parts on this fire are the fuelbed components and logs which may be replaced as described in the above section. Replacement of any other parts must be carried out by a competent person such as a GAS SAFE registered gas installer. The part numbers of the user replaceable parts are as follows, these are available from BFM Europe Ltd. who may be contacted at the number on the rear cover of this book.

Glass frame assembly	1184-186120
Complete log set	B-1001819
Log "A" only	B-1001803
Log "B" only	B-1001806
Log "C" only	B-1001811
Log "D" only	B-1001813
Log "E" only	B-1001815
Emba-glow material	B-120070
Bag of vermiculite	CV-107116
Handset wall bracket	B-126410
Glass suction clamp	B-126710

**Due to our policy of continual improvement and development the exact accuracy of descriptions and illustrations cannot be guaranteed.**

Part No. B-1009005  
Issue 1

The  
**Collection**  
by MICHAEL MILLER

BFM Europe Ltd.  
Trentham Lakes  
Stoke-on-Trent  
Staffordshire  
ST4 4TJ

[www.bfm-europe.com](http://www.bfm-europe.com)

**Telephone - General Enquiries :**  
**Telephone - Service :**

**(01782) 339000**  
**(01782) 339008**