

Built-in models

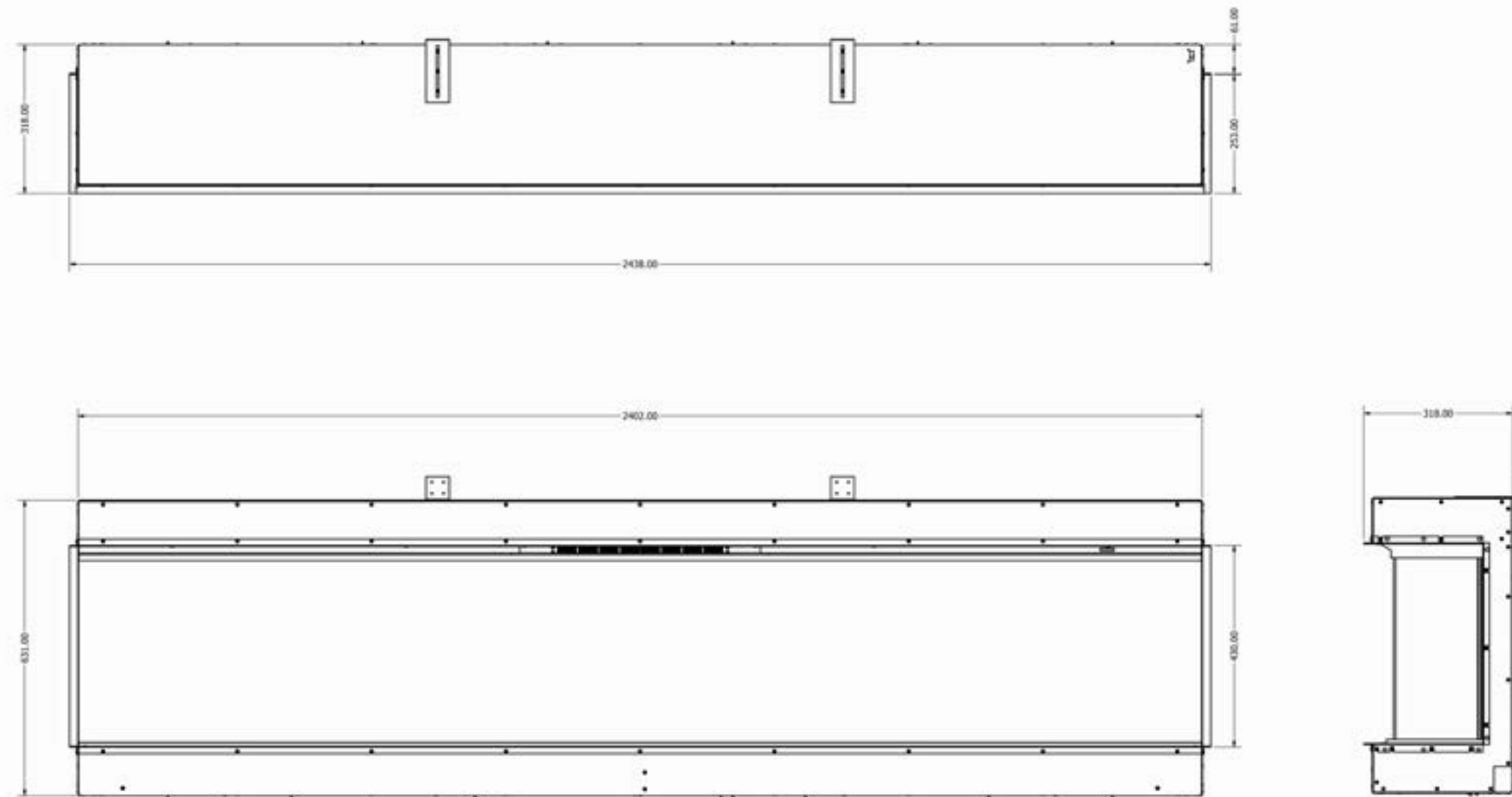
Specification Booklet



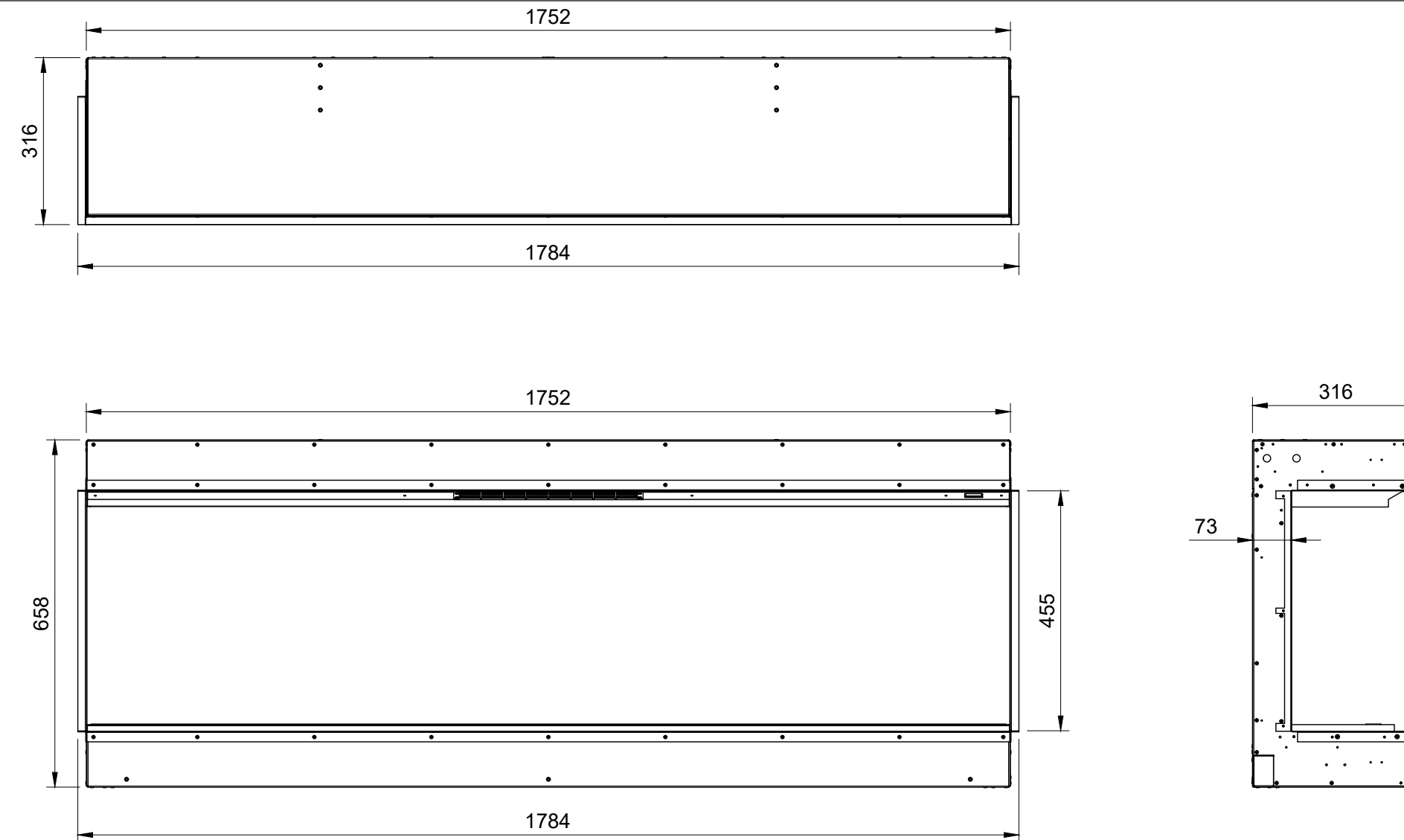
Built-in Specification Booklet - Issue 2

evonicfires
quality electric fires built in britain

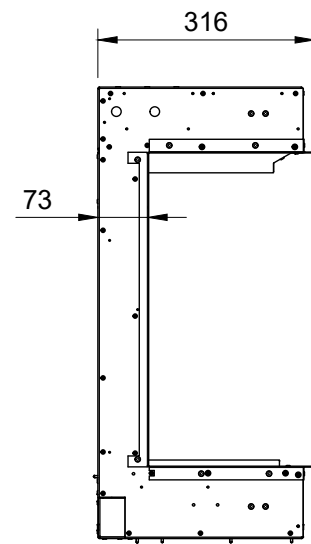
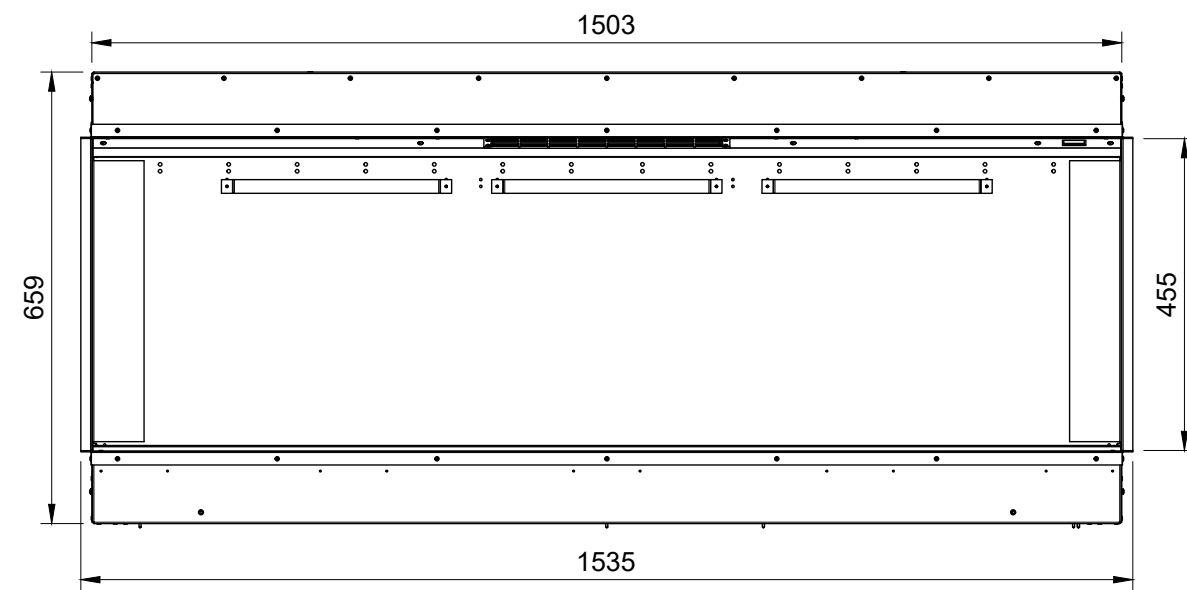
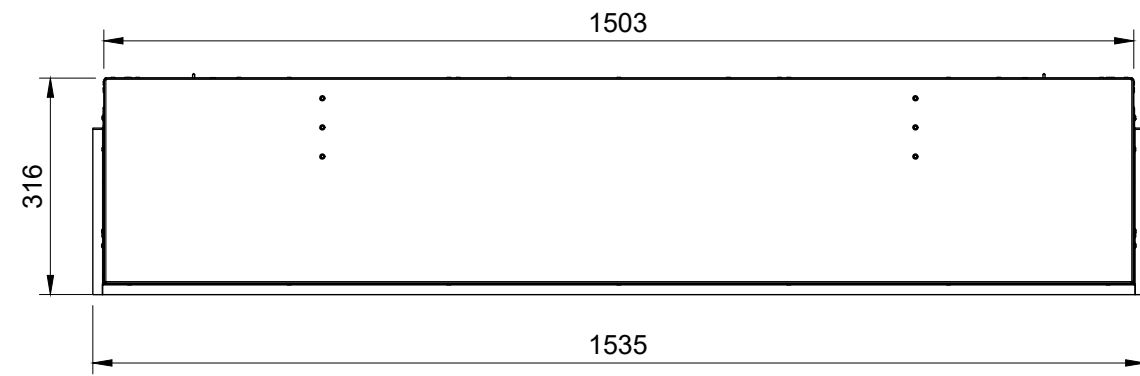
Halo 2400



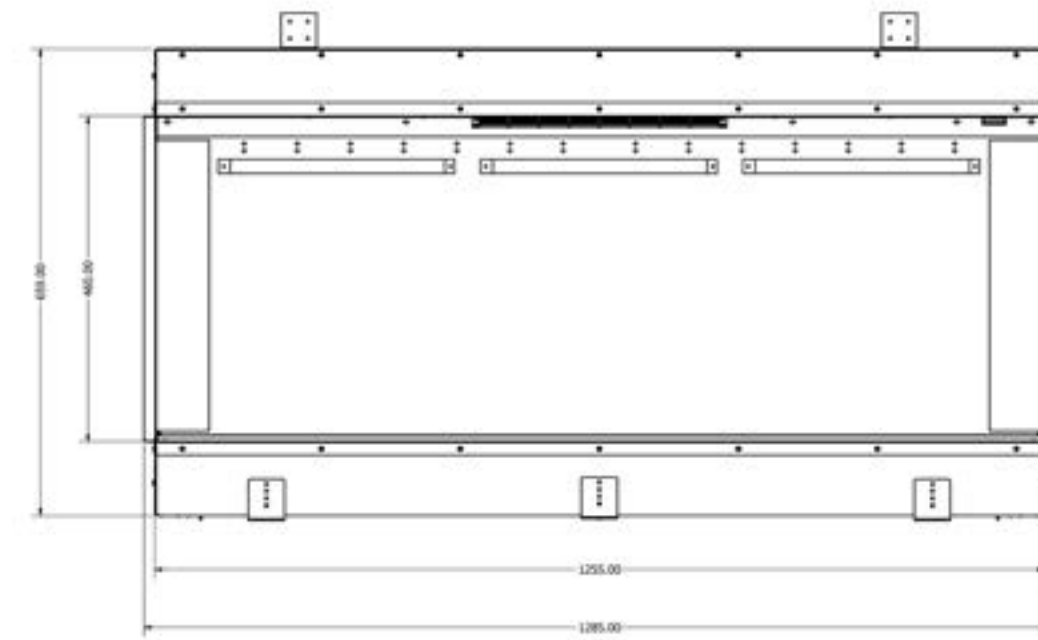
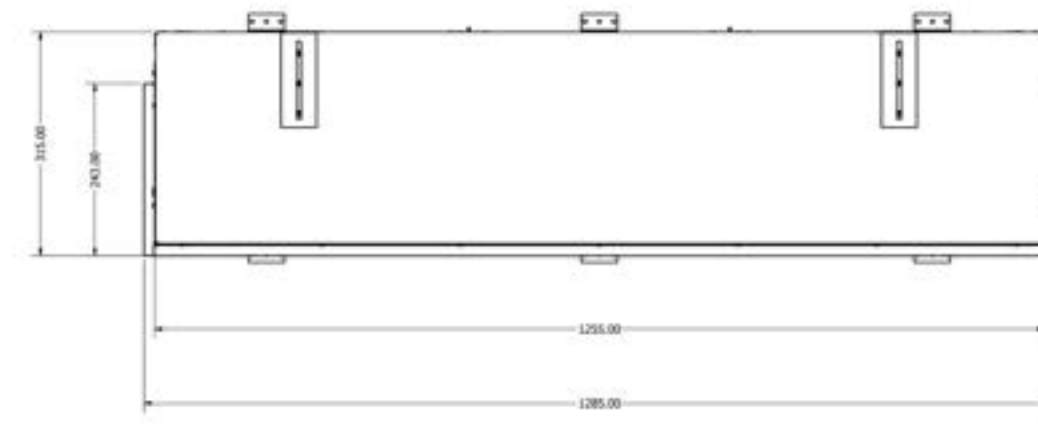
1800 XT



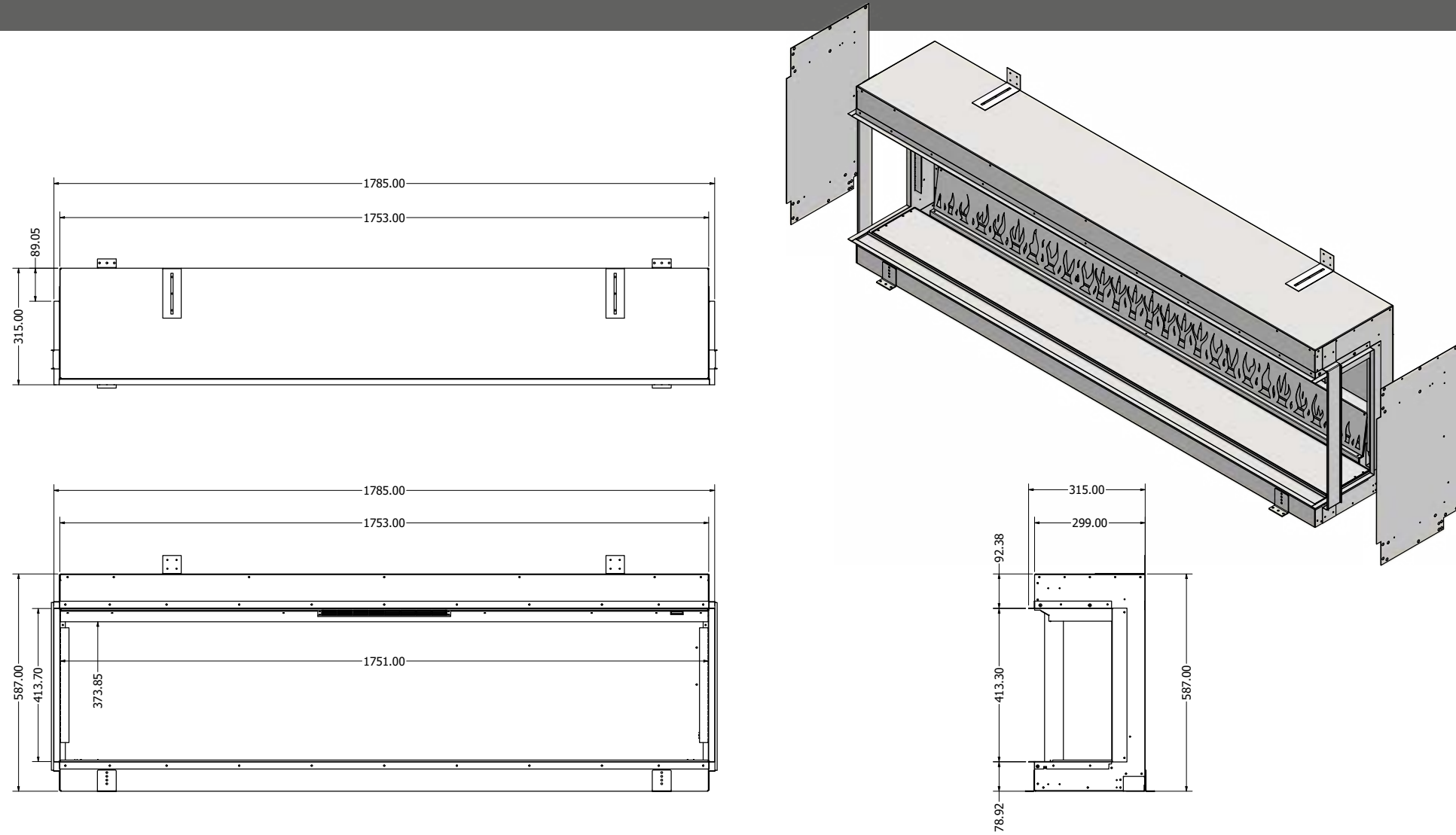
1500 XT



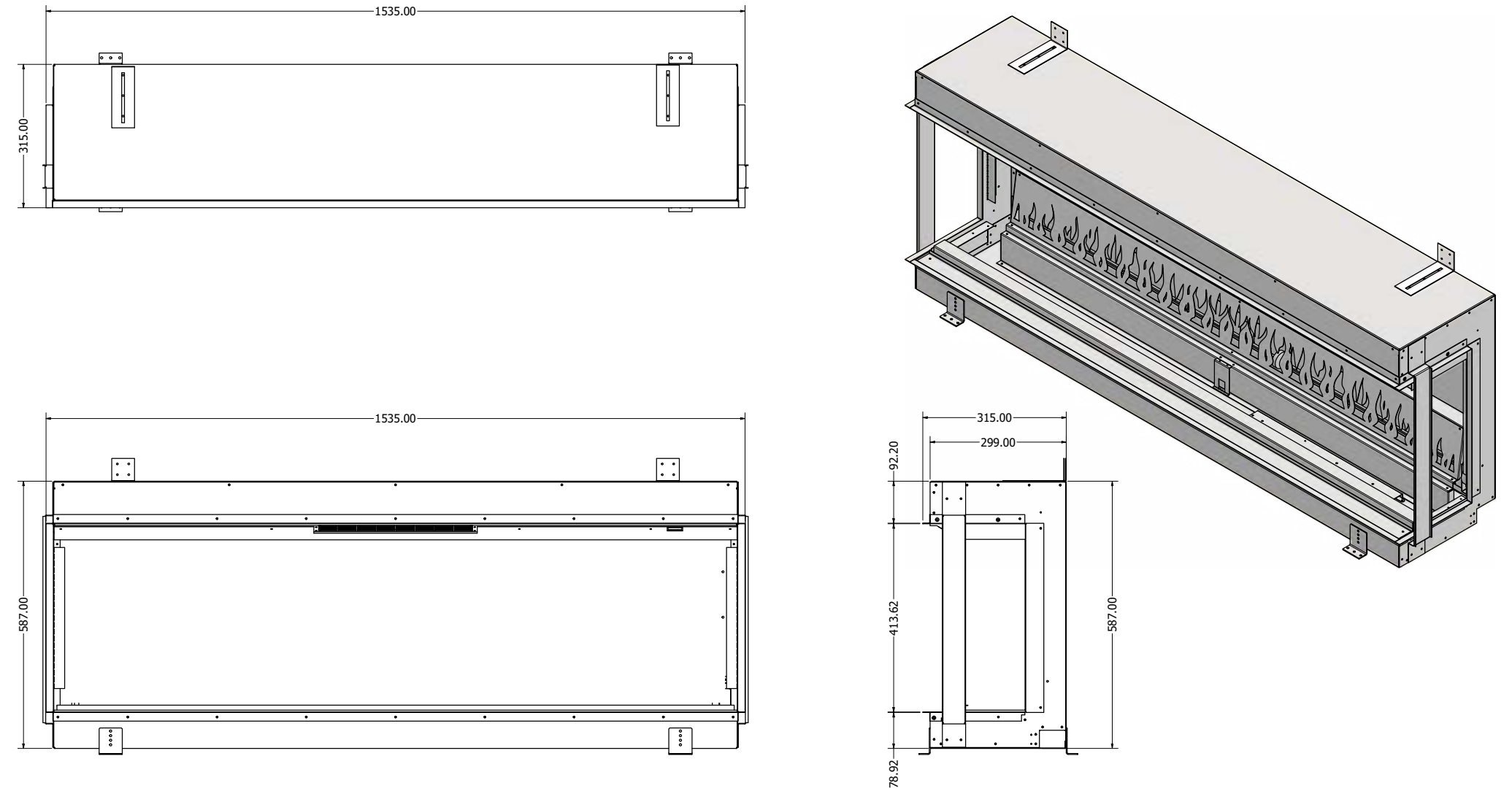
1250 XT



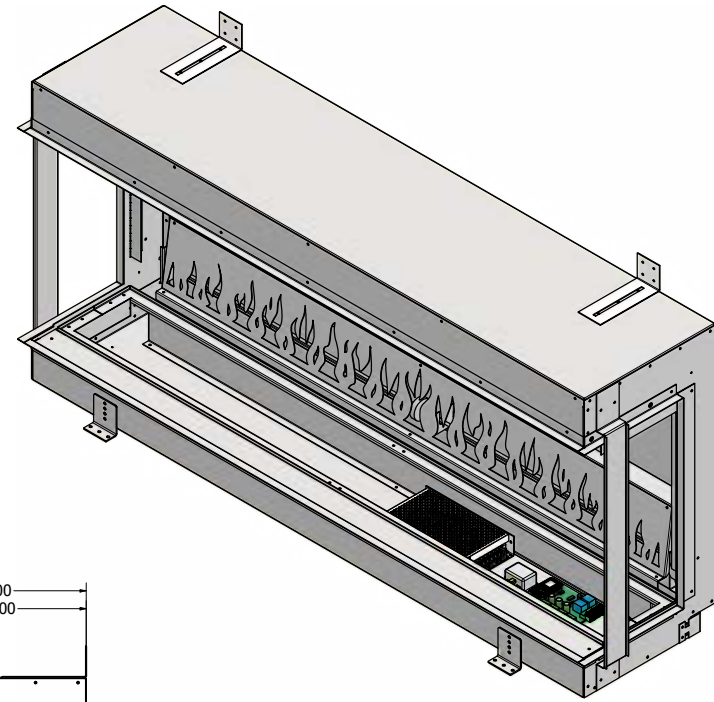
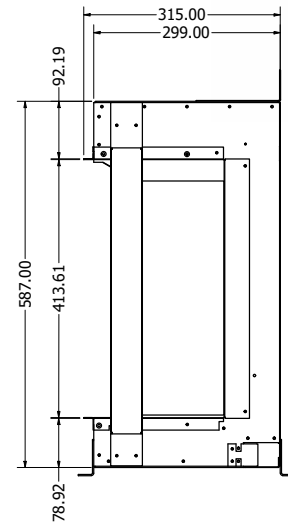
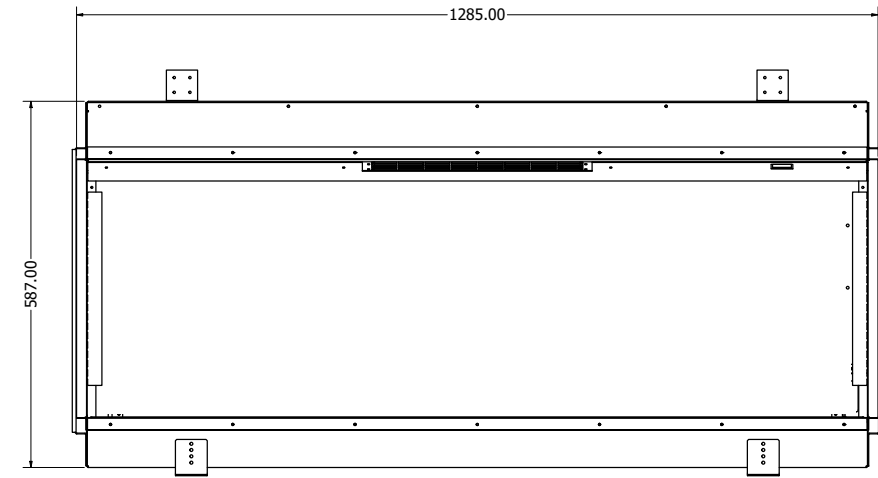
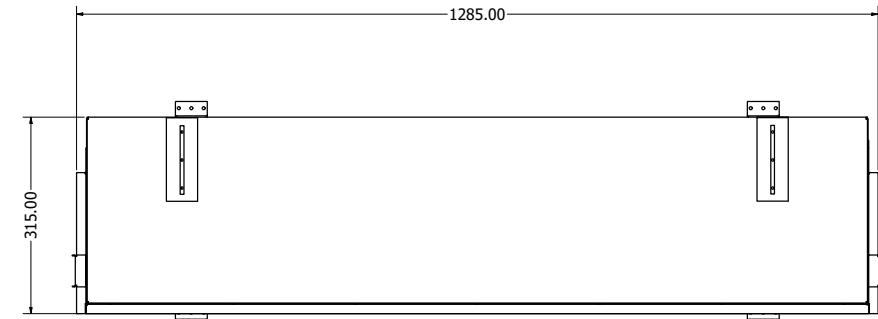
1800mm models



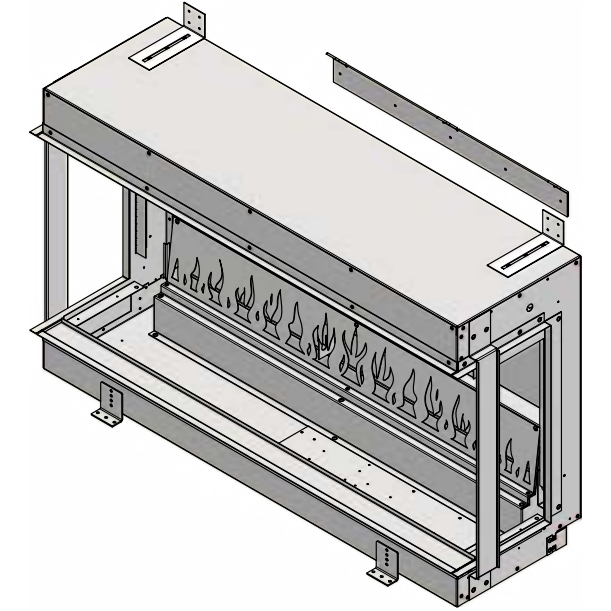
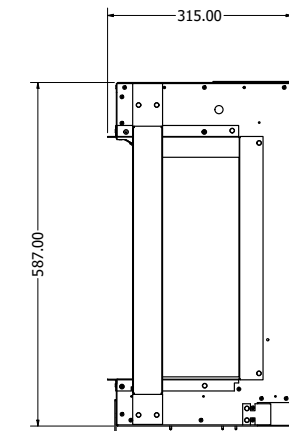
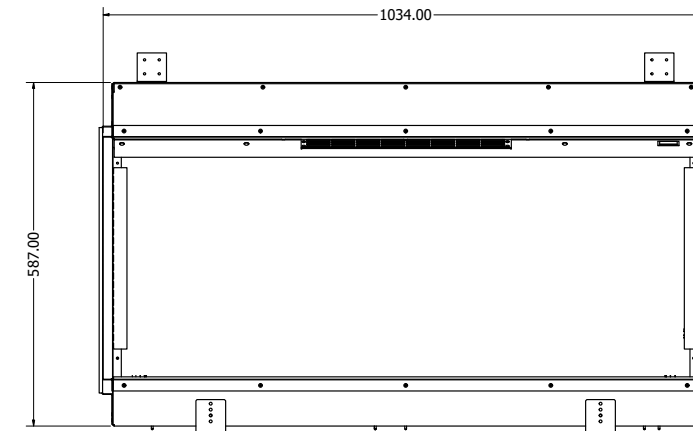
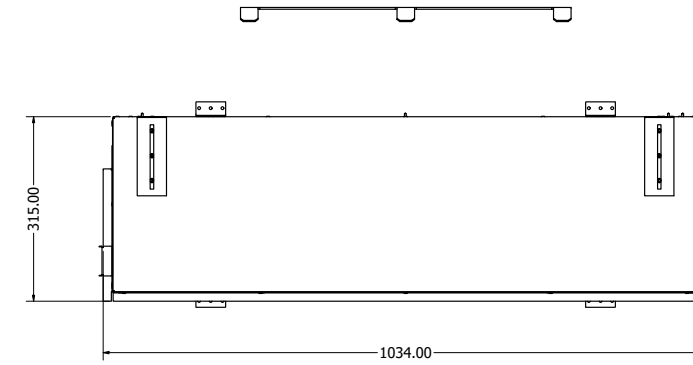
1500mm models



1250mm models

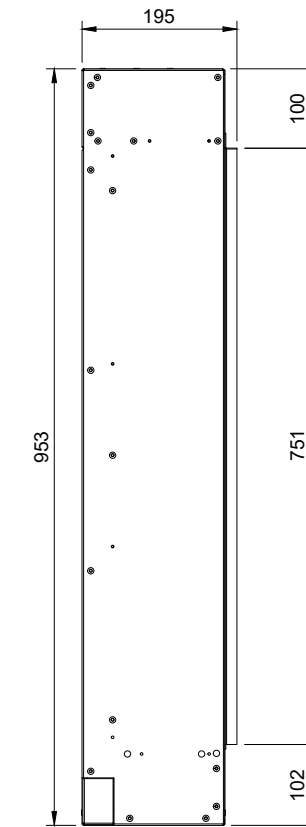
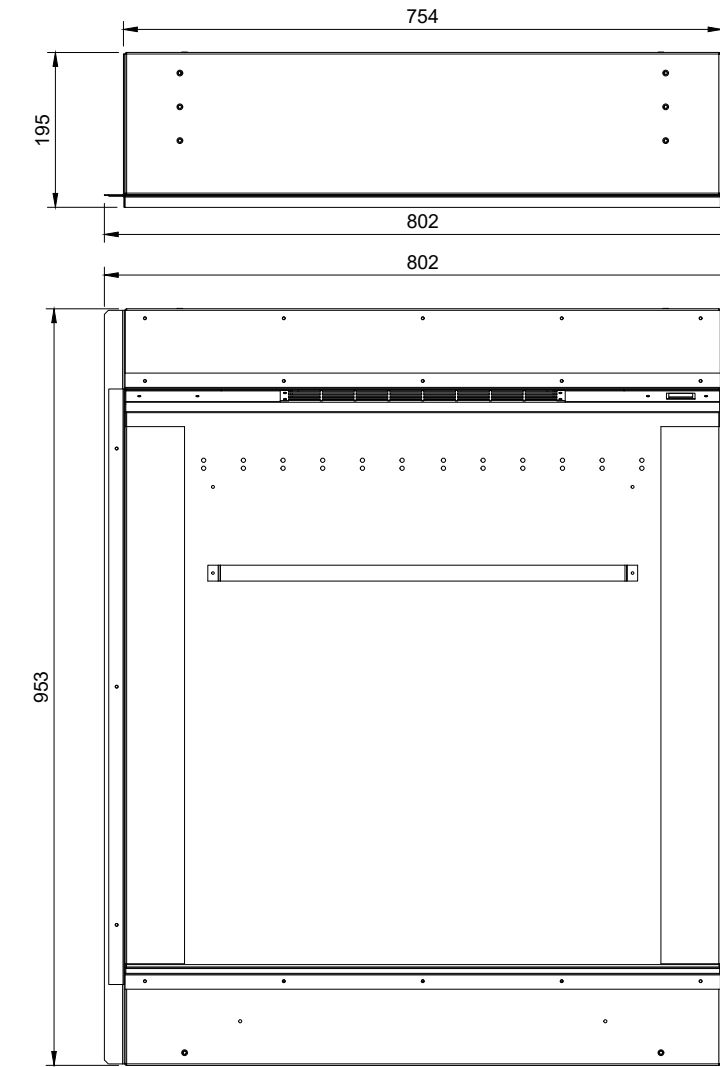
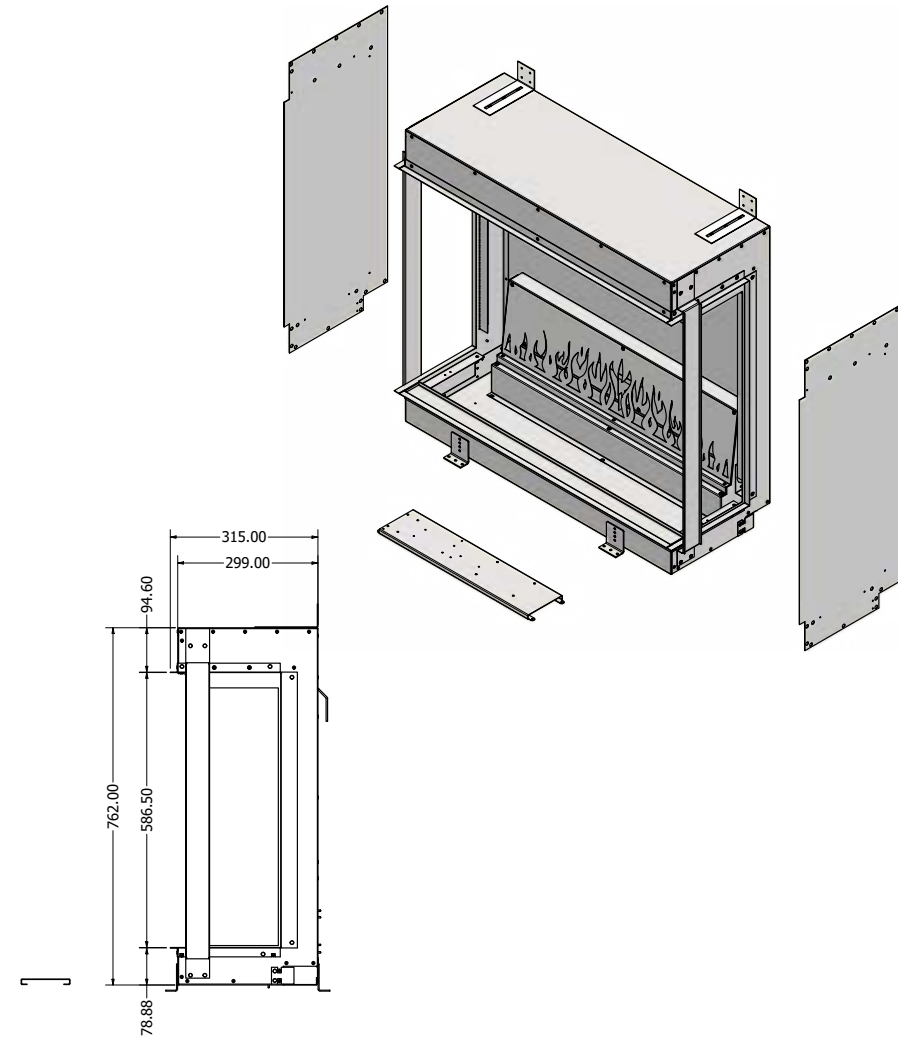
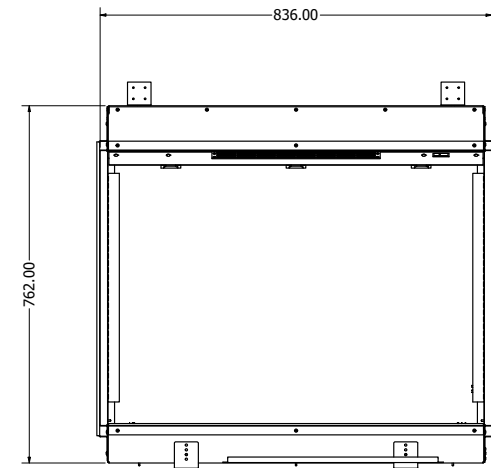
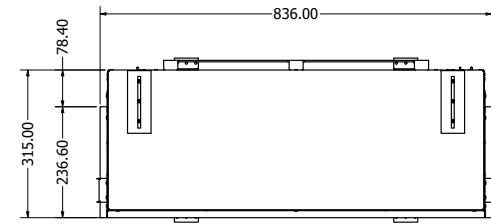


1000mm models

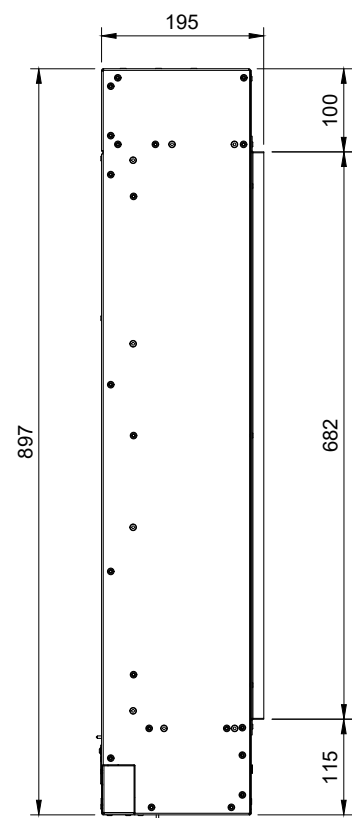
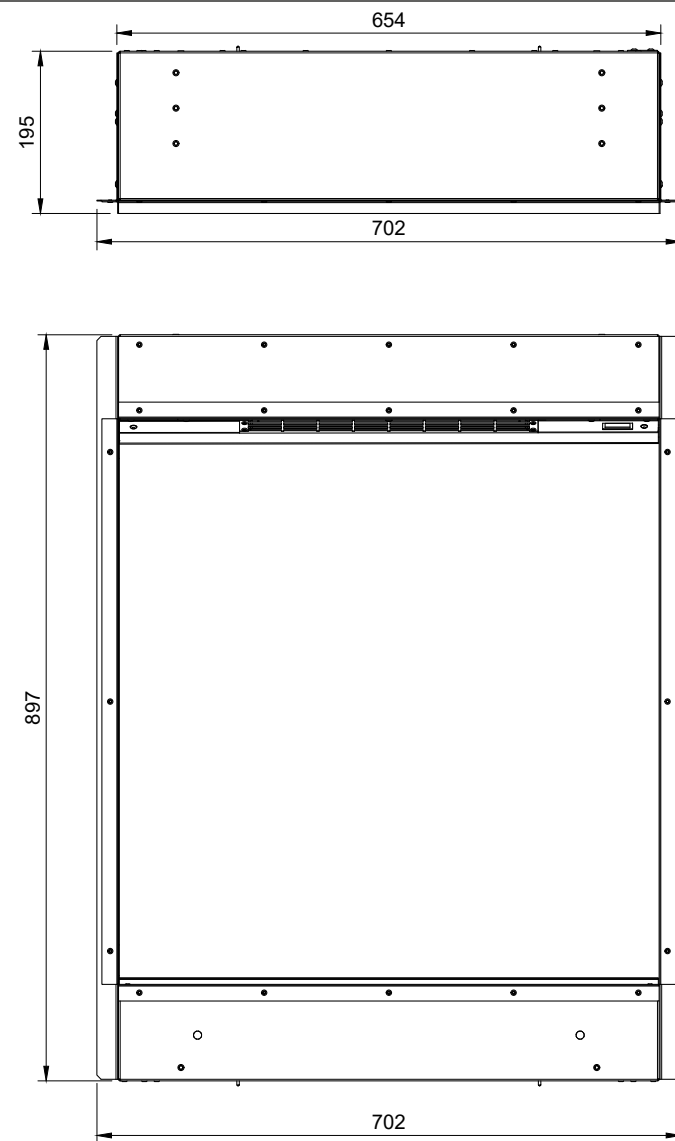


800mm models

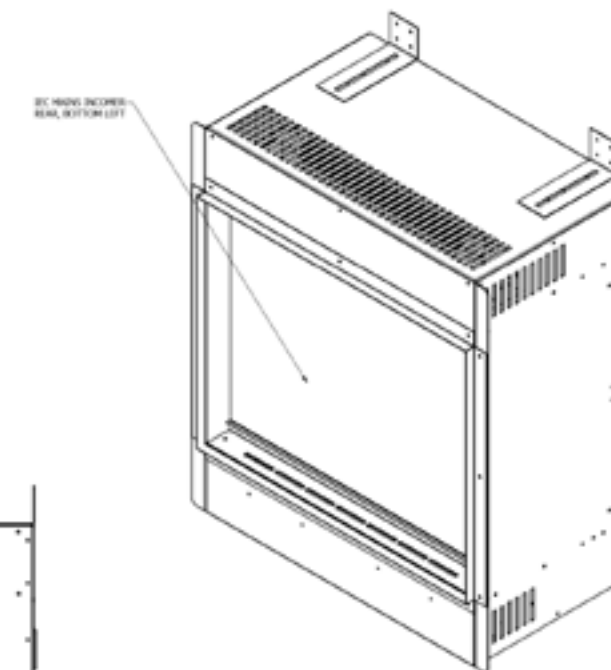
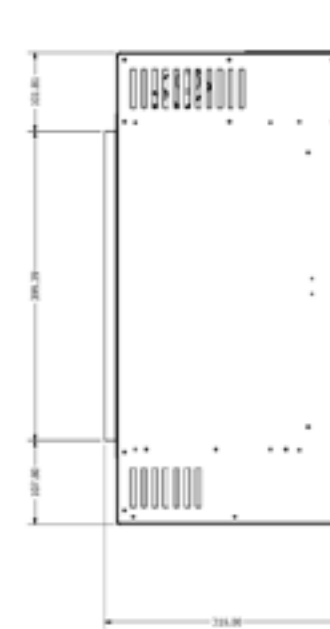
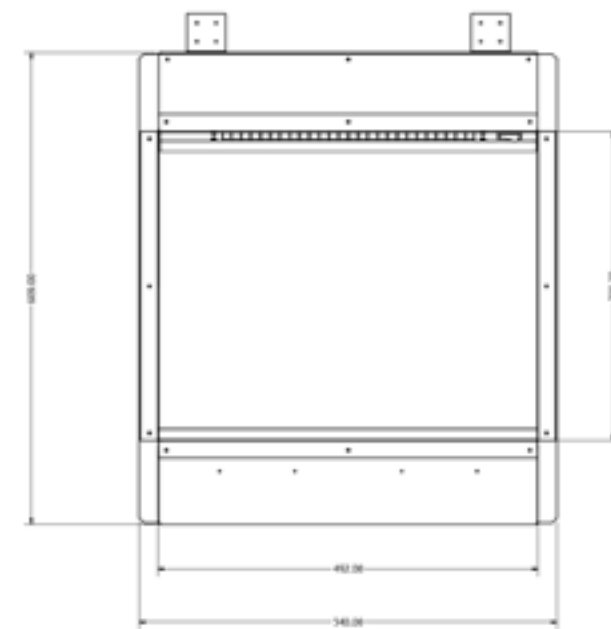
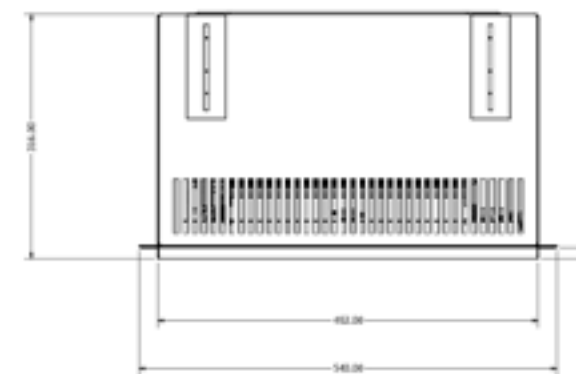
Halo 750



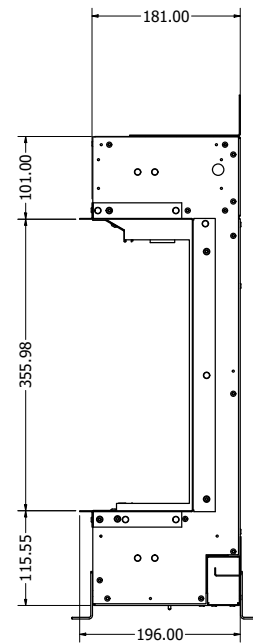
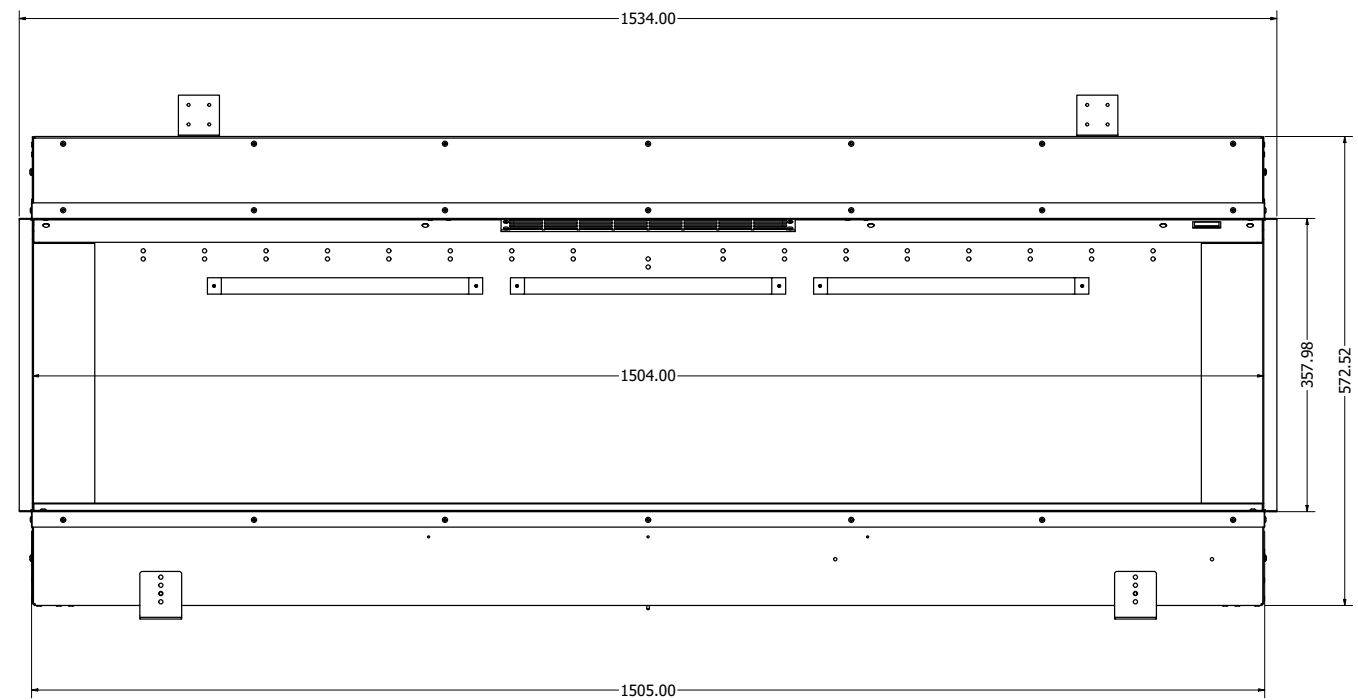
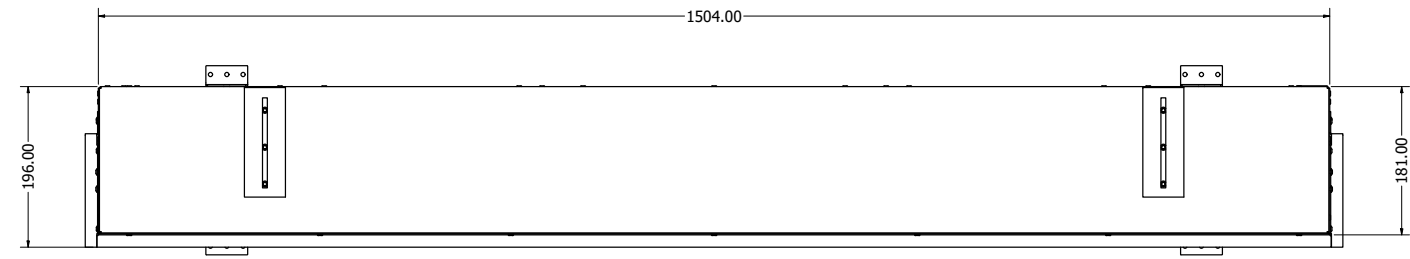
Halo 650



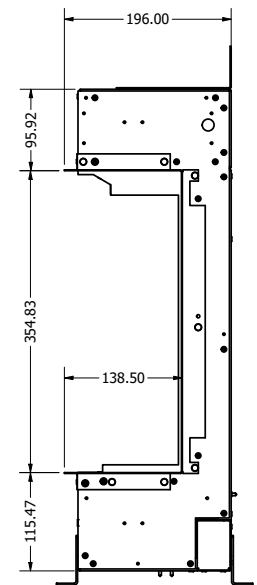
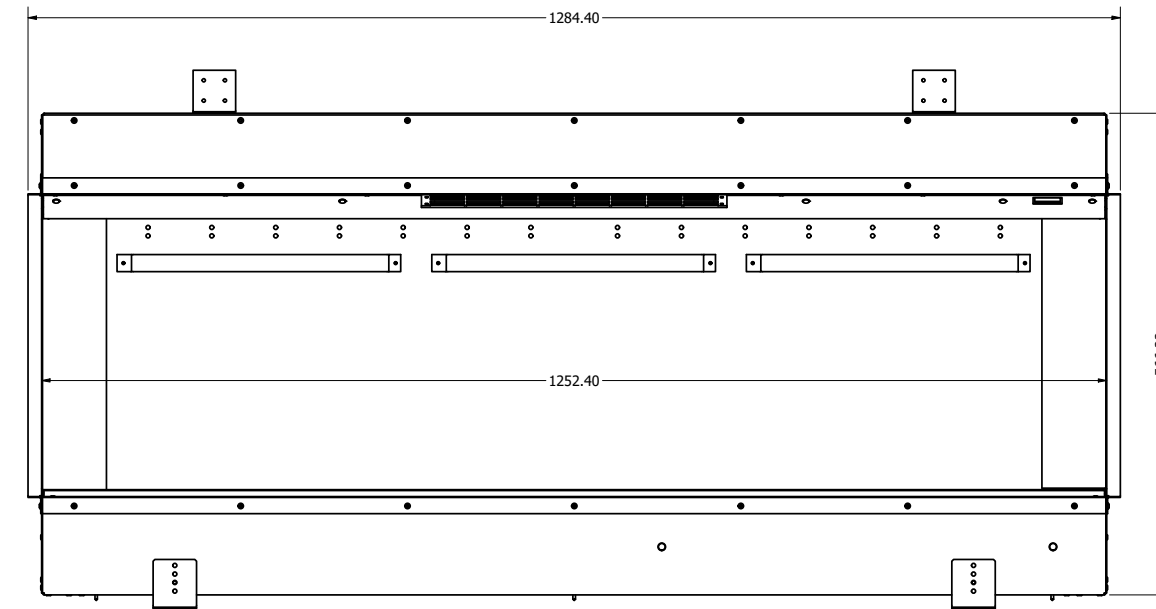
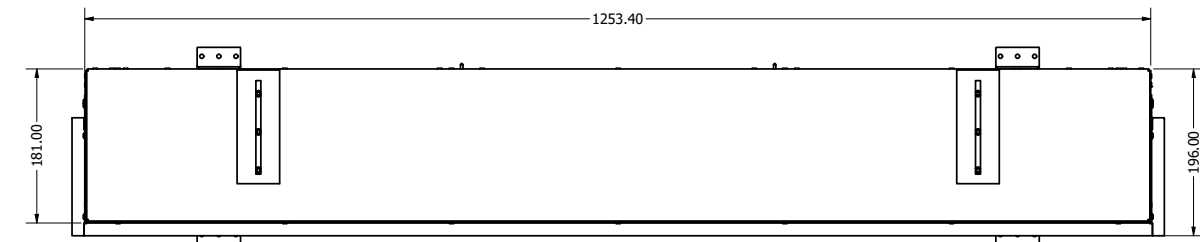
Halo 500



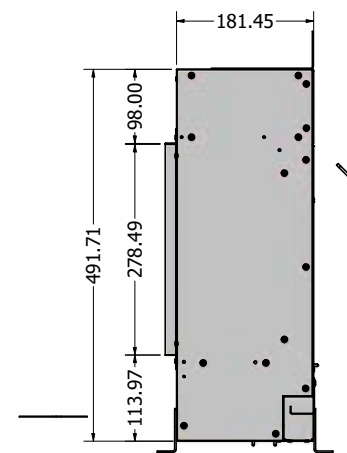
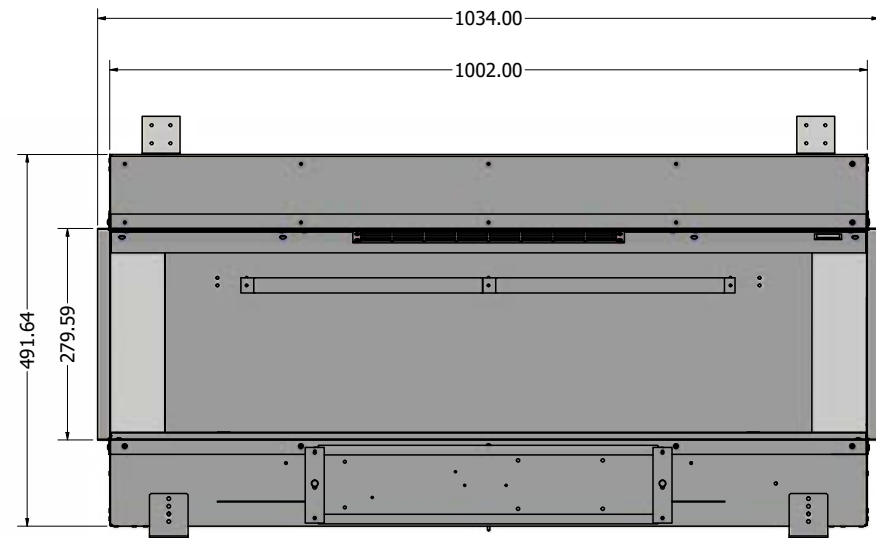
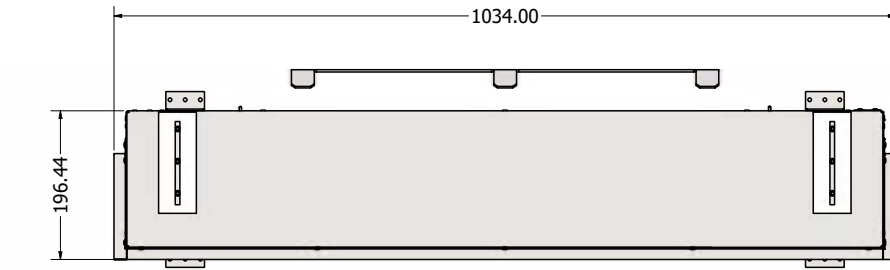
Halo 1500 SL



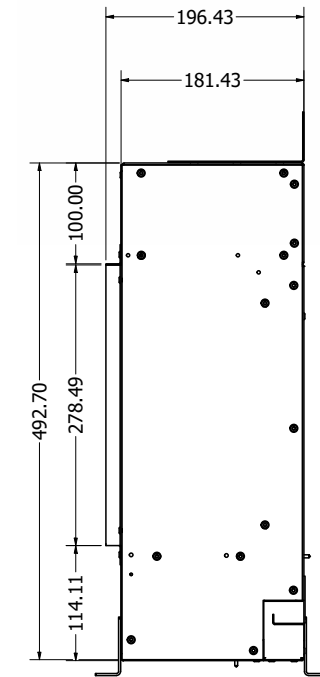
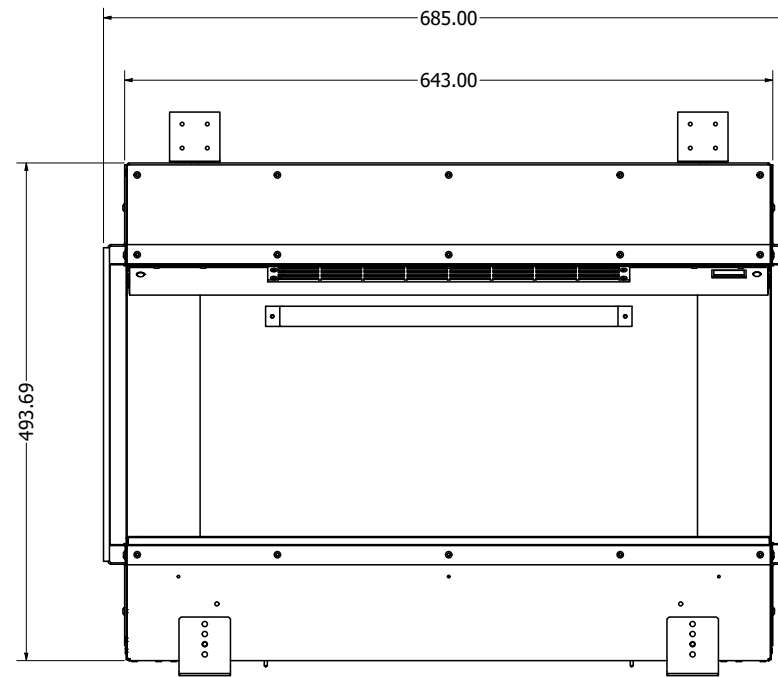
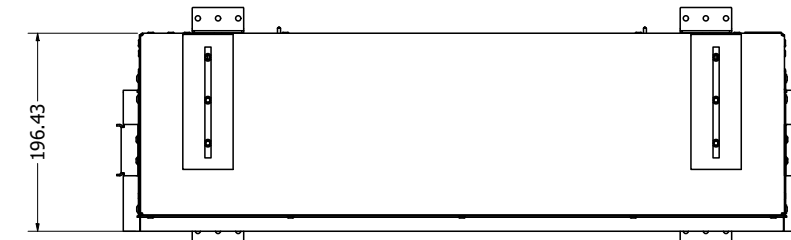
Halo 1250 SL



Halo 1000 SL

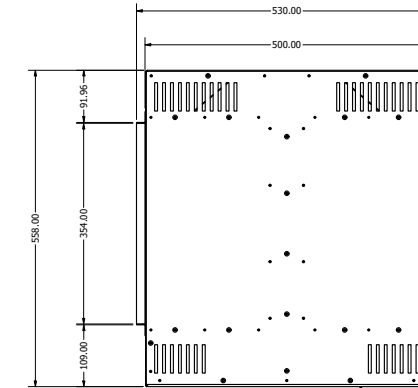
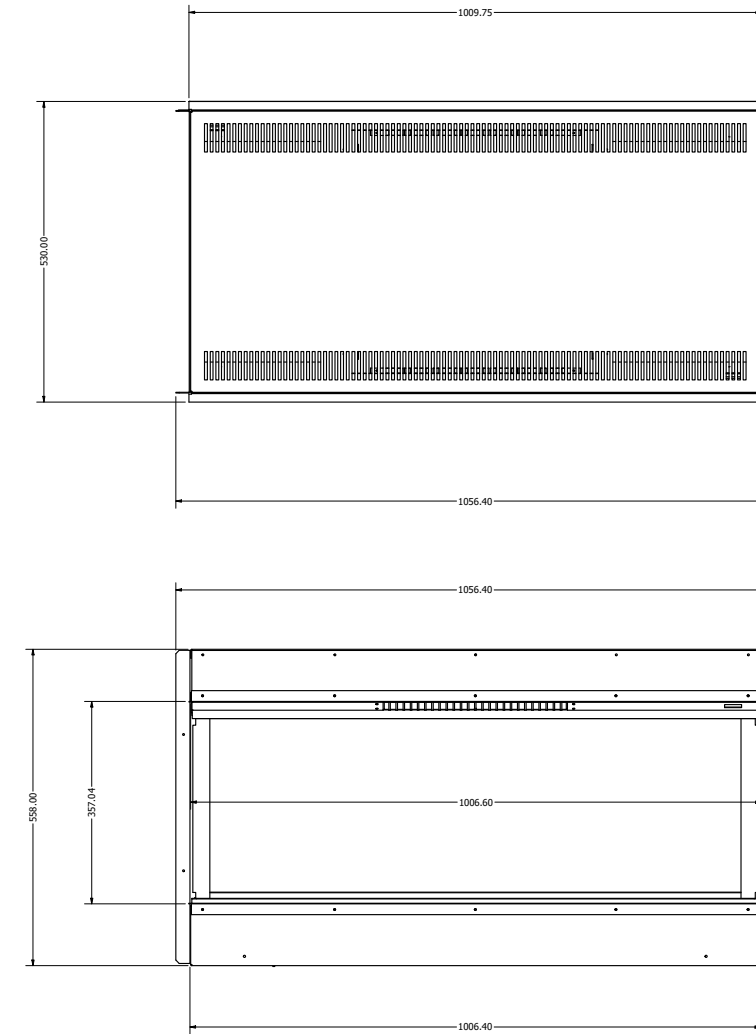
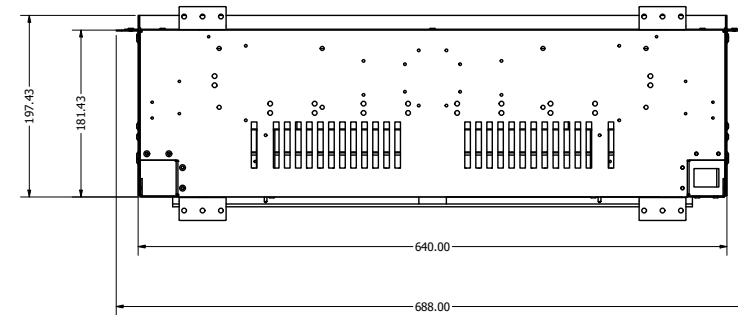
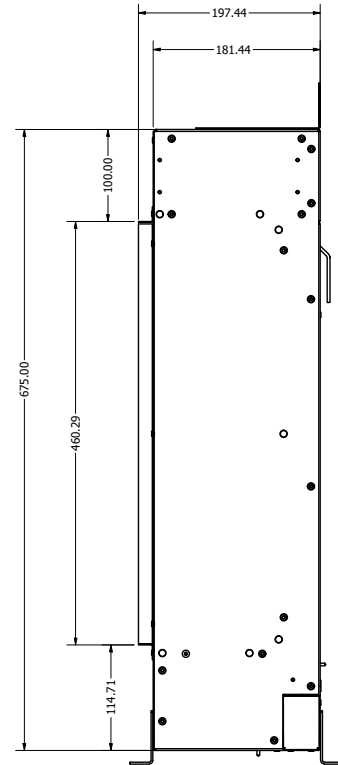
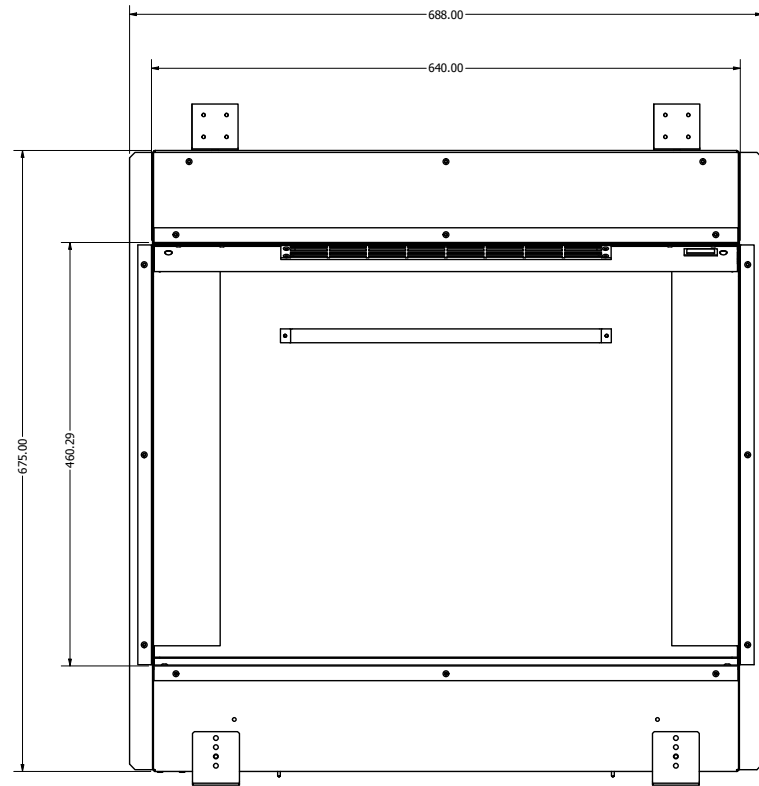


Halo 700 SL



Halo 600 SL

Halo 1030 DS



Halo 810 DS

