

Radiance Electric Range

Inset LED Fire



Instructions for Use, Installation & Servicing

For use in GB & IE (Great Britain & Republic of Ireland).



IMPORTANT

**THE HEATER OUTLET GRILLE BECOMES VERY HOT WHILST IN OPERATION.
DO NOT COVER THE OUTLET GRILLE OR ANY PART OF THE APPLIANCE.**

For use with 230v 50Hz electricity supply only.

Please read these instructions carefully before installation and keep them in a safe place.

They will be needed when maintenance or servicing is required.

THIS APPLIANCE MUST BE EARTHED

Contents

Covering the following models:

Radiance Inset 85R	Radiance Inset 105R	Radiance Inset 135R	Radiance Inset 195R
219-148	219-164	219-170	219-188

User Instructions.....3

- 1. Important Information & Health and Safety..... 3
- 2. Operating Instructions..... 3
- 3. Maintenance..... 5

Installation Instructions.....7

- Technical Specifications..... 7
- Appliance Dimensions..... 7

Installation.....8

- 1. General..... 8
- 2. Fitting The Appliance..... 8

Servicing 11

- 1. Fault Finding..... 11
- 2. How to Wire a Plug..... 11
- 3. Servicing Requirements..... 12
- 4. Removing the Glass..... 12
- 5. Removing the Effects Screen..... 13
- 6. Removing the Fuel Bed..... 14
- 7. Replacing the Remote Sensor..... 14
- 8. Replacing the LED Boards..... 14
- 9. Replacing the Effects Spindle..... 15
- 10. Replacing the Effects Motor..... 15
- 11. Replacing the Power Unit..... 16
- 12. Replacing the Heater Assembly..... 16

Spare Parts List.....18



To receive your Extended Warranty your Gazco appliance must have been purchased from our Expert Retailer Network and registered within one month of purchase or installation. Please note that all warranties are effective from the date of purchase. Any Gazco product purchased outside of our Extended Retailer Network, or not registered within the stated time will carry a standard 12 month warranty.

Full terms and conditions are detailed in the Warranty Statement on the Gazco website www.gazco.com. In the event of any conflict of information the wording on the website shall prevail.

Important Note: Should any problems be experienced with your product, claims must first be submitted to the Expert Retailer where the appliance was purchased from who will offer immediate assistance or contact Gazco on your behalf.




Registration No WEE/DH1656ZW
In accordance with European Directive 2002/96/EC, waste electrical and electronic equipment (WEEE) must not be disposed of with household waste.

At the end of its useful life please take this product to an appropriate recycling centre or collection point. You can find your nearest recycling centre by using the bank locator at www.recycle-more.co.uk for UK customers, www.weeeireland.ie for customers in the Republic of Ireland, or by contacting your local authority.

User Instructions

1. Important Information and Health and Safety

- 1.1 **Read all of the instructions carefully before using the appliance.**
- 1.2 **Remove all packaging and dispose of at an appropriate recycling facility.**
- 1.3 Do not locate this appliance immediately below a fixed socket outlet.
- 1.4 Do not use this appliance in the immediate surroundings of a bath, shower, swimming pool or any other area where the appliance could come into contact with water or humidity, e.g. a bathroom.
- 1.5  **WARNING! DO NOT COVER**
Do not allow the appliance to be covered or let the air inlet/outlet become obstructed as the appliance may overheat. Please note the warning symbol on the appliance (see above).
- 1.6 **For indoor use only.** This appliance is not suitable for use outside the house.
- 1.7 This appliance must be installed in a purpose built studwork enclosure. Ensure the appliance is level and that furniture, curtains etc. are positioned no closer than 1m.
- 1.8 Where the electricity supply cable has to pass through a fire place, stone surround etc. ensure suitable rubber bushes are fitted at possible wear points.
- 1.9 Keep the power cord away from hot surfaces and hot conditions. Do not route the power lead in front of the appliance.
- 1.10 When the fire has been installed the position of the plug must be accessible.
- 1.11 If the electricity supply cable is damaged do not use the appliance until it has been replaced. For safety reasons the replacement has to be carried out by a Gazco service agent or a similarly competent electrician.
- 1.12 Do not use this appliance with any kind of timer, programmer, thermal control or other device that will switch the appliance on or off automatically.
- 1.13 Do not operate the appliance if it is damaged.
- 1.14 Repairs of electrical appliances must only be performed by an electrical engineer. Should the appliance fail to operate, or in case of any damage, please contact the retailer from whom the appliance was purchased.
- 1.15 **Never leave the heater unattended while it is in use.** Always switch the product to the OFF position and unplug it from the electrical outlet when not in use.

- 1.16 **This appliance is not intended to be used by persons under the age of 12, persons with reduced physical, sensory or mental capabilities or persons with lack of experience and knowledge in the safe operation of the appliance.**
The appliance may be operated by persons above the age of 12 provided they have been instructed in the safe use of the appliance and that they understand the hazards involved. Persons above the age of 12 may also operate the appliance under the supervision of a responsible adult.
- 1.17 Parts of this appliance become hot whilst in operation and under no circumstances should persons under the age of 12 be left alone with the product when it is in operation unless a suitable fireguard is used to protect them against the possibility of coming into direct contact with the appliance.

2. Operating Instructions



WARNING! Do not operate the appliance if it is damaged or has malfunctioned. If you suspect the appliance is damaged or has malfunctioned call a qualified service engineer to inspect the appliance, and replace any part of the electrical system if necessary, before reuse.

GENERAL

- 2.1 The appliance can be operated by the infrared handset or the manual controls which are on the right hand side of the viewing window.

PREPARATION BEFORE USE

Batteries:

- 2.2 Ensure that the handset battery is new and is inserted correctly.
- 2.3 Dispose of old batteries at an appropriate recycling facility.

When using the handset:

- 2.4 Ensure the handset is pointed at the infrared sensor located behind the flame effect screen at the back of the inside of the appliance.

LOCATION OF POWER SWITCH

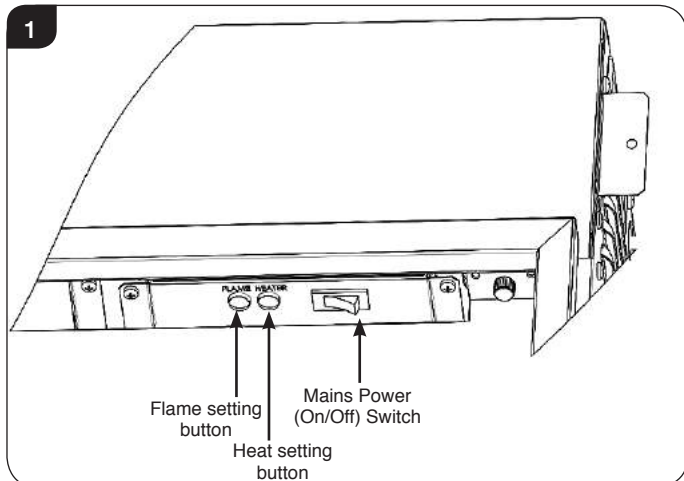
- 2.5 The mains power switch is located on the control panel located on the right-hand side of the viewing window (see Diagram 1 over page).
- 2.6 Switch ON (—) before operating either the remote or manual controls.
- 2.7 A beep is heard to indicate the fire is ready for use.

User Instructions

Remote & Manual Operation

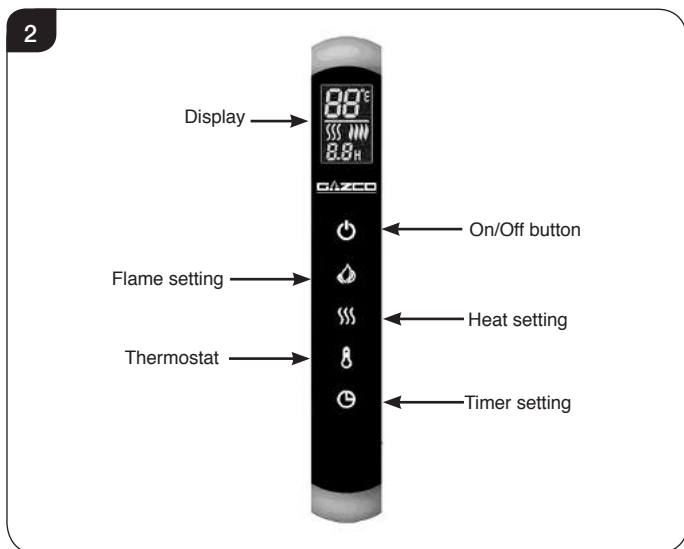
2.8 The following functions can be controlled using the manual controls or remote handset:

- Heat settings 1 and 2
- Brightness of the fuel and flame effect



2.9 The Standby function and the thermostat can only be operated via the remote control.

2.10 The effects can be turned off using the remote, returning the appliance to Standby, see Diagram 2.



Standby On/Off

2.11 The appliance is in Standby mode when the power is switched on via the manual control panel. You must have this power supply ON (—) before using the manual or remote controls.

Turning On the Appliance

A beep is heard each time a new function is selected.

Flame Effects:

2.12 The flame effect button on both the manual and remote controls has 4 settings:

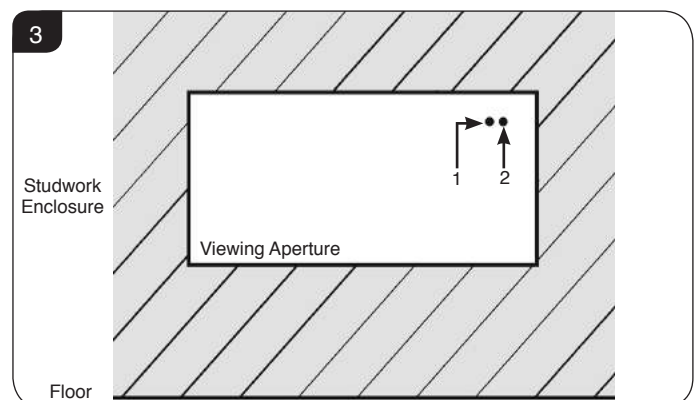
Manual Control	Remote Control	Function
Press Flame Effect button once	Press Standby/ On/Off Button 	Maximum amber flame effect
Press Flame Effect button twice	Press Flame Effect button once 	Minimum amber flame effect
Press Flame Effect button three times	Press Flame Effect button twice 	Maximum blue flame effect
Press Flame Effect button four times	Press Flame Effect button three times 	Minimum blue flame effect

Turning On the Heat:

2.13 **It is NOT possible to run the heater without the flame effects switched on.**

2.14 Press the heater button **once** to turn the fan heater ON. One red indicator light will be displayed on the indicator (1) - See Diagram 3. The appliance will blow cold air for approximately 8 seconds before the red indicator light goes off and the heater comes on. On this setting the heater will operate at half its maximum temperature (1kW).
 Will be displayed on the remote control.

2.15 Press the heater button **twice** to turn the fan heater to its maximum temperature. Two red indicator lights will be displayed on the indicator (1) + (2) behind the flame effect screen - See Diagram 3. After approximately 8 seconds the red indicator light goes off and the heater will operate at its maximum temperature (2kW).
 Will be displayed on the remote control.



2.16 **Pressing the heater button again will turn the heater OFF and cold air will continue to blow for 8 seconds.**

User Instructions

- 2.17 Press the On/Off button on the remote control to turn off **ALL** settings and return to Standby. Cold air will continue to blow for 8 seconds.



TO PROLONG THE LIFE OF THE APPLIANCE ALWAYS RETURN THE APPLIANCE TO STANDBY USING THE REMOTE CONTROL, BEFORE SWITCHING OFF THE MAINS POWER SWITCH ON THE MANUAL CONTROL PANEL.

- 2.18 **The appliance should be turned off via the mains power switch on the manual control when it is not in use.**

Thermostatic Control

- 2.19 The appliance is fitted with a thermostat. This can only be operated by the remote control when the mains power switch is in the ON position. The thermostat has 14 settings, including OFF, and can control the room temperature between 16°C and 28°C (default 23°C). The digital display shows the temperature setting. Press the thermostat button to increase the temperature by 1°C. If the OFF setting is selected no temperature is displayed on the remote control and the temperature can be manually controlled using the heat setting button.

Press the Thermostat button for 3 seconds to switch between °C and °F.

Note: If the room temperature is higher than the thermostat setting the heater will not come on.

Timer

- 2.20 A timer is fitted to allow the appliance to be returned to Standby after a set period of time. This can only be operated via the remote control when the mains power switch on the manual control is switched on.

Press the timer button to cycle through the settings from Off and 0.5 hours to 9 hours.

Thermal Safety Cutout

The appliance is fitted with a thermal safety cutout, which operates if it overheats. If this happens:

- 2.21 Unplug the appliance and allow it to cool for 5 - 10 minutes.
- 2.22 Check the air inlets/outlets for any obstruction and clear if necessary (see *Maintenance, Section 3.12*).
- 2.23 Plug in appliance and switch it on. The cutout will re-set and the appliance should function correctly. If this is not the case:
- 2.24 Unplug once more and have the fire checked by a competent electrician.

3. Maintenance

- 3.1 **ALWAYS UNPLUG FROM MAINS SUPPLY BEFORE CLEANING OR UNDERTAKING ANY MAINTENANCE**

GENERAL CLEANING

- 3.2 Only clean the outer casing when it is cold. Do not use abrasive cleaners.

CLEANING FRONTS

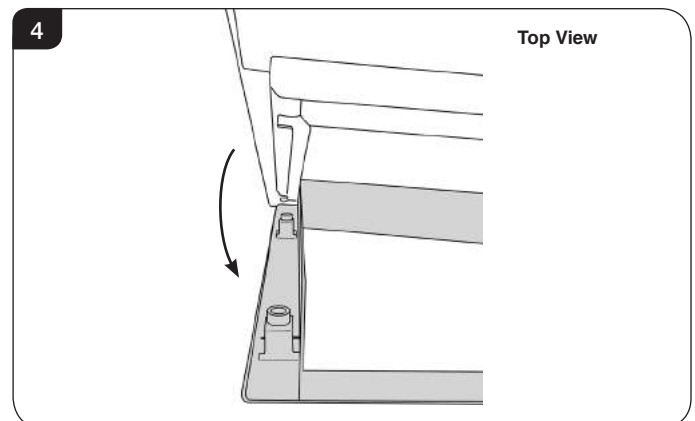
- 3.3 Wipe the glass viewing panel with a damp cloth and buff with a lint free duster.

Caution: Do not use abrasive cleaners on the glass panel. Do not spray liquids directly onto any surface of the unit.

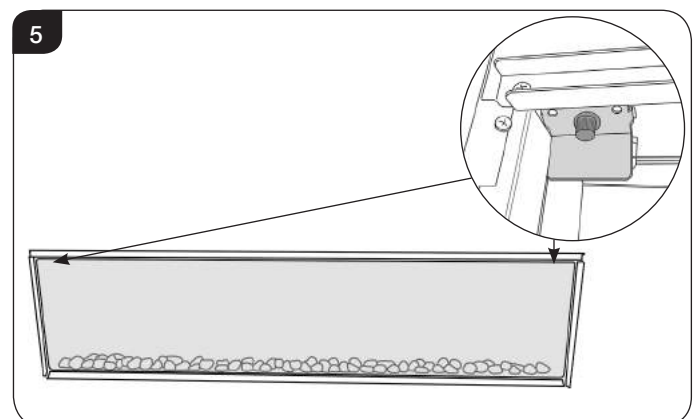
CLEANING THE FUEL EFFECT

To access the fuel effect it will be necessary to remove the glass viewing panel.

- 3.4 Ensure the appliance is unplugged.
- 3.5 First remove the decorative trim. The trim is held on by magnets. Pull gently forward to remove, see Diagram 4.



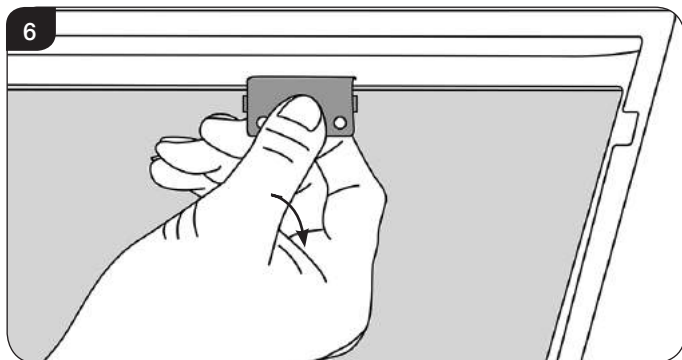
- 3.6 There is a clamp at the top of each corner of the glass viewing panel that secure the glass in place, see Diagram 5.



- 3.7 Supporting the glass, loosen and remove the 2 clamps. These can be unscrewed using just finger tips.

User Instructions

- 3.8 Carefully tip the glass forward and lift out of the lower tray to remove from the appliance, see Diagram 6. The clamp can be used to aid removal.



The fuel effect can now be accessed.

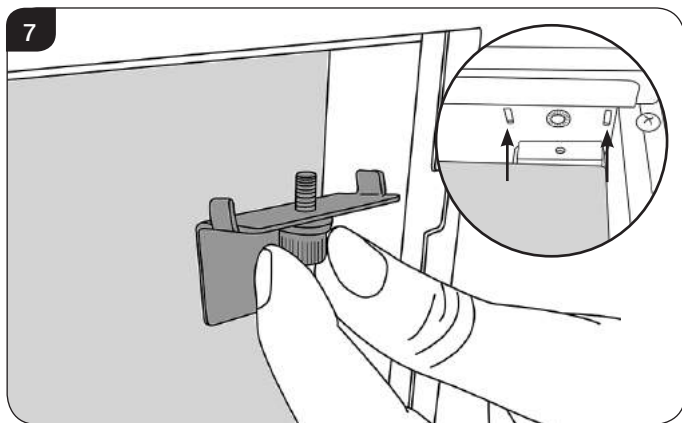
- 3.9 Remove and wash the fuel effect to remove any dust particles. Alternatively clean with a lint free duster. **Ensure that the effect is dry before replacing.**

Note: When replacing the fuel effect ensure that it is evenly spread across the fuel bed.

Stone Effect only: Randomly space the clear effect throughout the fuel bed.

- 3.10 Replace the glass following the instructions in reverse order.

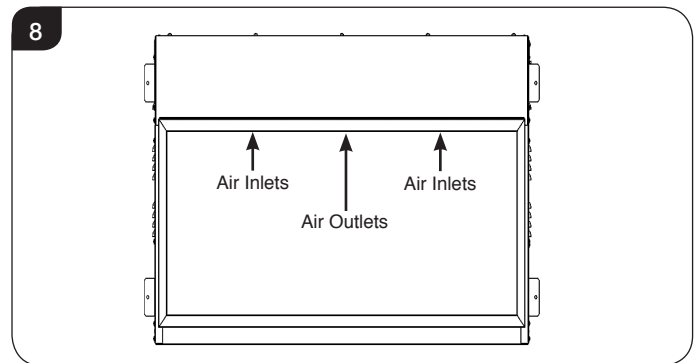
When replacing the clamps ensure that the tabs on the clamps locate in the slots on the appliance, see Diagram 7.



- 3.11 Replace the decorative trim.

CLEANING AIR INLETS

- 3.12 Ensure the appliance is unplugged.
- 3.13 Clean the air inlet and outlet grilles regularly with a soft cloth or the nozzle of a vacuum cleaner.



Dust build-up can inhibit efficient performance of the fan and lead to the safety cut-out operating.

- 3.14 Keep the area around the appliance clean and free of fluff, dust or pet hair.
- 3.15 In particular, build-up of dust etc. can occur around the heater area. Take particular care to keep this area free from such particles on a regular basis to prevent build-up.

BATTERY REPLACEMENT

- 3.16 When the remote batteries are low they must be changed immediately. Install correct replacements and dispose of the old batteries carefully.

Note: If the appliance is to be left for a long period of time ensure it is switched off and the power cord removed.

Installation Instructions

Technical Specification

These instructions cover the following models:

Radiance Inset 85R	Radiance Inset 105R	Radiance Inset 135R	Radiance Inset 195R
219-148	219-164	219-170	219-188

These appliances have 3 modes of operation:

- Flame effect only - with 4 effect levels
- Flame effect + 1kW heating
- Flame effect + 2kW heating

A 230v 13amp 50Hz supply is required

Maximum power consumption:

Radiance 85R: 2000 watts

Radiance 105R: 2000 watts

Radiance 135R: 2000 watts

Radiance 195R: 2000 watts

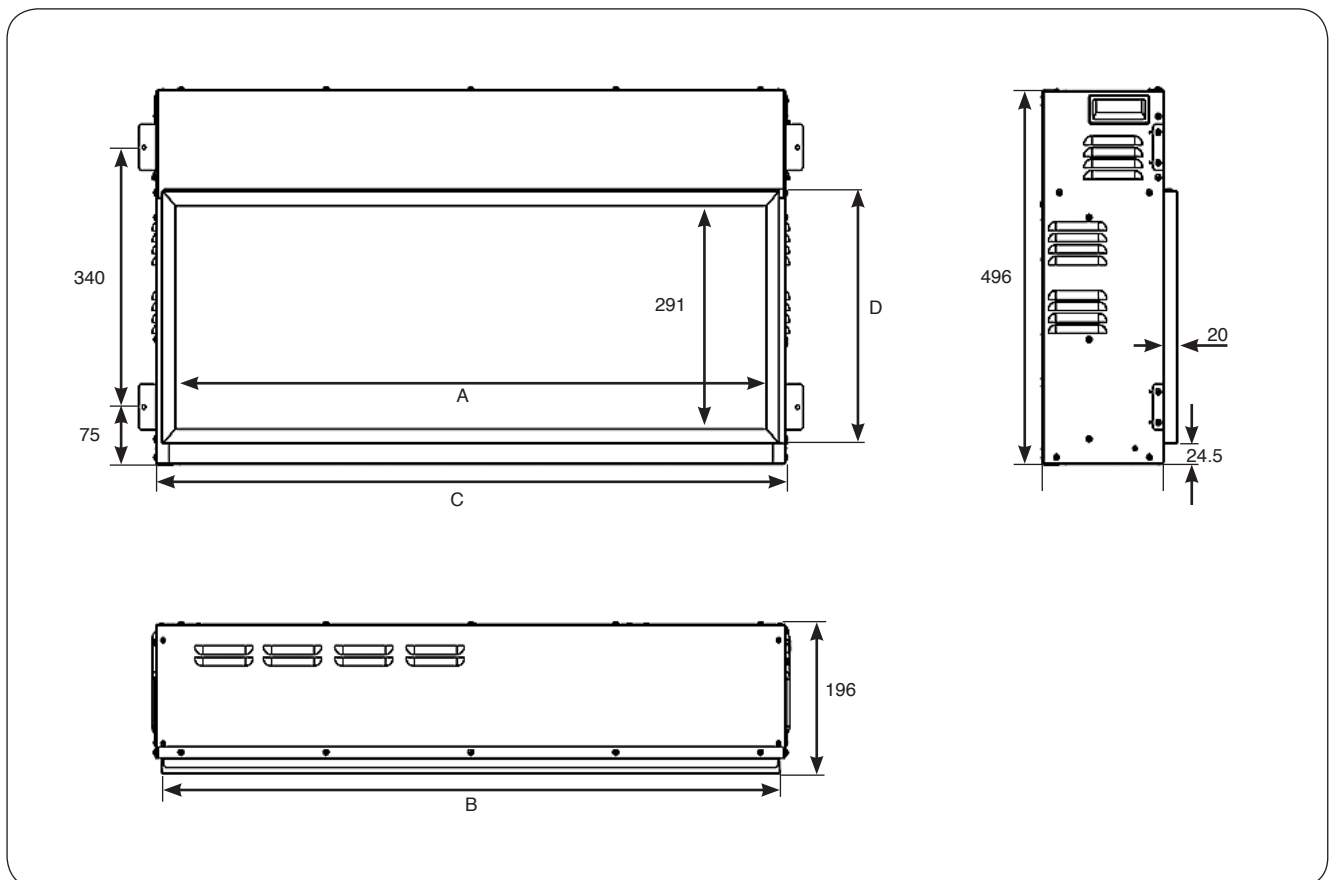
THIS APPLIANCE MUST BE EARTHED

A 1.8 metre lead with plug containing a 13 amp fuse is supplied. Only use a 13 amp fuse with this appliance.

2 x Remote control handset battery (AAA)

PACKING CHECKLIST

Appliance Description	Fixing Kit containing:
Radiance 85R Radiance 105R Radiance 135R Radiance 195R	1 x Instruction Manual 1 x Remote Control 2 x AAA Batteries 4 x Fixing Brackets 10 x Screws ST4x8 4 x Screws ST4x16 1 x Plug Bracket 1 x Power Cable
Radiance 85R Radiance 105R	1 x bag White Stones 1 x bag Clear Resin Stones
Radiance 135R Radiance 195R	2 x Bag White Stones 2 x Bag Clear Resin Stones



Model	A	B	C	D
Radiance Inset 85R	855	901	912	336
Radiance Inset 105R	1055	1101	1112	336
Radiance Inset 135R	1355	1401	1412	336
Radiance Inset 195R	1955	2001	2012	336

Installation Instructions

1. General

1.1 TOOLS REQUIRED

A Screw Driver, Spirit Level, Saw and Drill will be needed.

1.2 UNPACKING THE FIREPLACE

WARNING! DO NOT use this appliance if any part has been exposed to water.

Immediately call a qualified service technician to inspect and to replace any part of the electrical system if necessary.

1.3 Open the packaging carefully and remove the polystyrene. Remove and discard the plastic bag. Keep plastic wrapping away from children. Be responsible when handling the packing materials.

1.4 Check all parts and accessories are removed before disposing of any packaging. If necessary keep the original packaging for future transport and/or storage.

1.5 Test the appliance before installation.

2. Fitting the Appliance

2.1 Locating the Radiance

Your new Radiance may be installed virtually anywhere in your home. However, when choosing a location ensure that the general instructions are followed.

2.2 For best results, install out of direct sunlight.

2.3 **The appliance should be installed in a purpose built studwork enclosure. Please ensure that suitable fixings are used when securing to any hollow or cavity walls.**

2.4 **Make sure there are no pipes or cables behind the area to be drilled or cut.**

2.5 Always ensure the appliance is adequately supported and sits on a firm structure when mounting above floor level.

2.6 The appliance should ideally be located close to a suitable mains socket to enable connection. An extension could be run from an existing socket outlet but this must be carried out by a suitably qualified electrical engineer. The electrical socket must be easily accessible to allow disconnection when the appliance is fitted.

2.7 If the power cord is damaged, it must be repaired by the manufacturer, its authorised service centre or professional person.

2.8 Ensure that curtains and furniture are not positioned close to the chosen position, as this would create a potential fire hazard or block the heater outlet ducts.

WARNING! KEEP ALL COMBUSTIBLE MATERIALS AT LEAST 1M FROM THE FRONT AND SIDES OF THE ELECTRIC FIREPLACE.

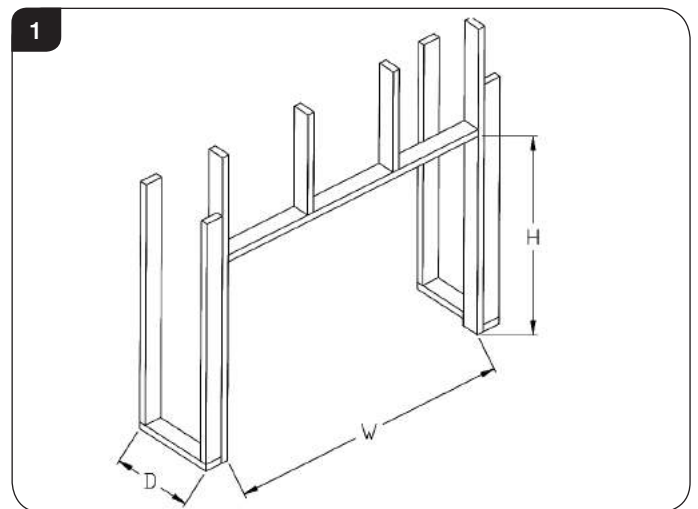
3. Studwork Installation

THERE ARE INSTRUCTIONS FOR AN INSTALLATION WHERE THE RADIANCE SITS FLUSH TO THE FINISHED 'EDGE' OF THE WALL.

3.1 Build the studwork chimney breast and enclosures to the desired size, see Diagram 1 and table.

It is essential to include a header at the required height to ensure the appliance does not support the weight of the finished wall.

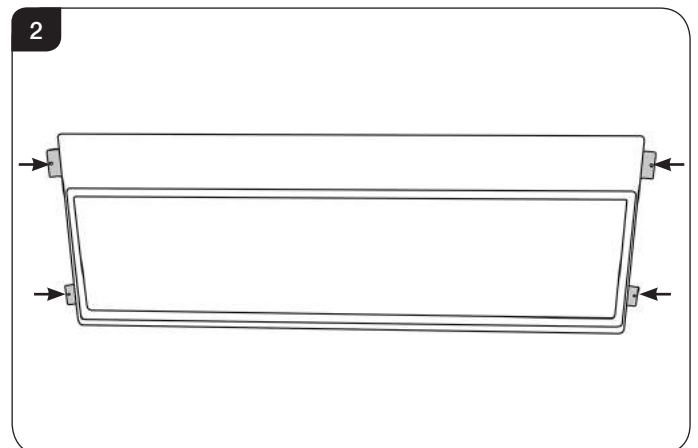
It is important to allow for finished the face when setting the depth of the frame.



Model	W	D	H
Radiance 85R	928	180	500
Radiance 105R	1128	180	500
Radiance 135R	1428	180	500
Radiance 195R	2028	180	500

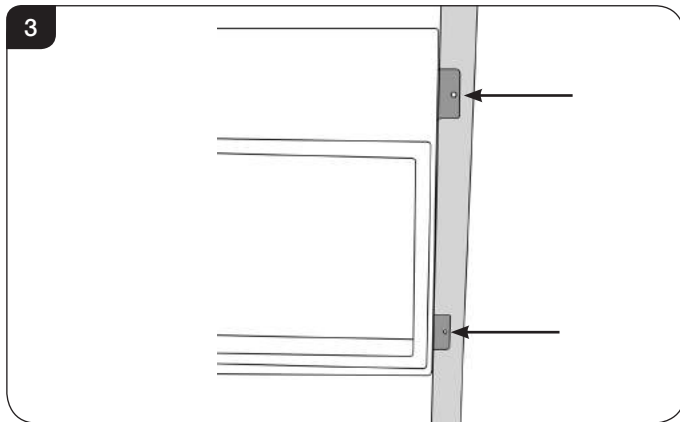
3.2 If a hearth system or raised hearth is to be installed, the unit **MUST** be raised to provide service access and use of front.

3.3 Attach the 4 fixing brackets to the sides of the appliance, see Diagram 2.

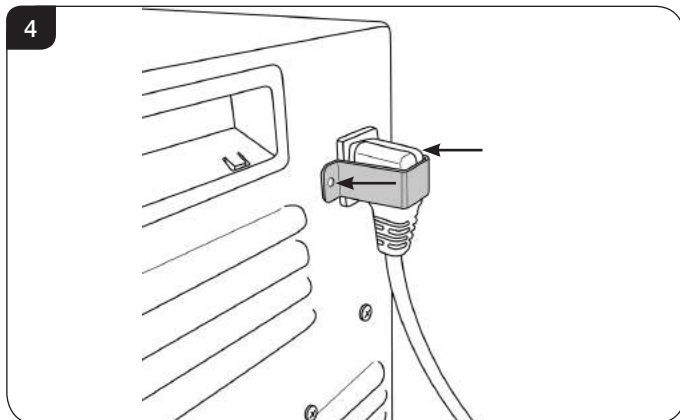


Installation Instructions

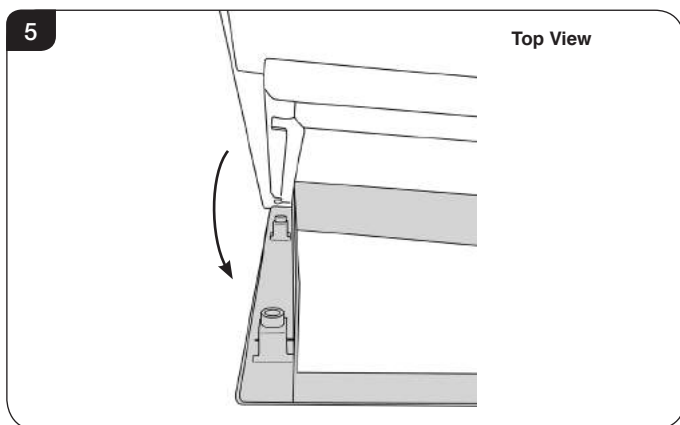
- 3.4 The fireplace can now be positioned in the opening. Level the appliance, and attach the unit to the frame using the fixing holes provided, see Diagram 3.



- 3.5 Connect the power cable to the appliance.
3.6 A securing bracket has been supplied. Place the bracket around the plug and secure with 2 screws, see Diagram 4.



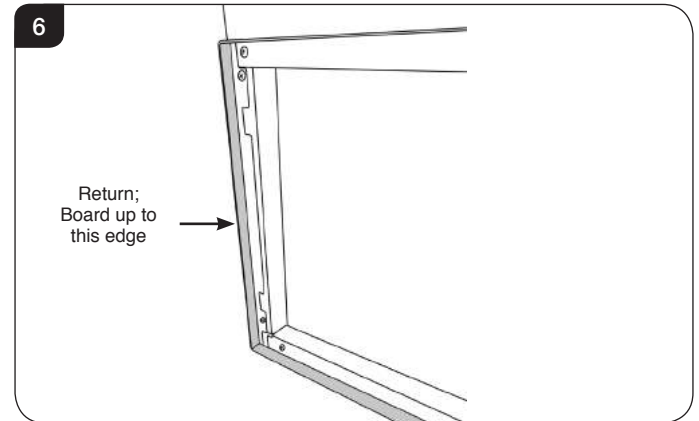
- 3.7 The decorative trim is held on by magnets. Pull gently forward to remove, see Diagram 5.



- 3.8 **Combustible or non-combustible materials** may be used to finish up to the fireplace opening.

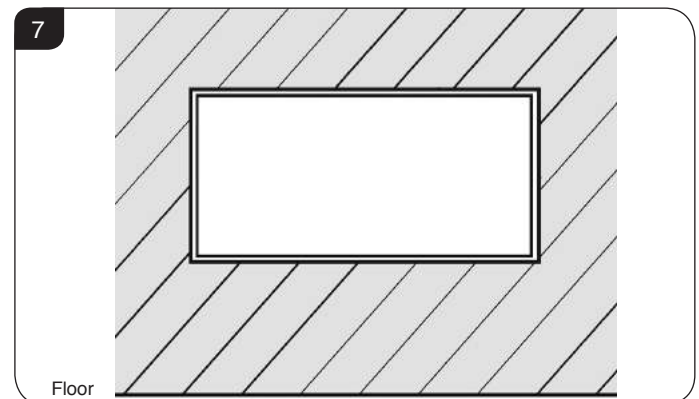
DO NOT PACK THE VOID AROUND OR ABOVE THE APPLIANCE WITH INSULATION MATERIALS SUCH AS MINERAL WOOL.

- 3.9 There is a return surrounding the decorative trim attached to the front of the appliance. This allows suitable boarding to be taken up to the edge and finished off with an even 5mm gap around of the decorative trim, see Diagram 6 .



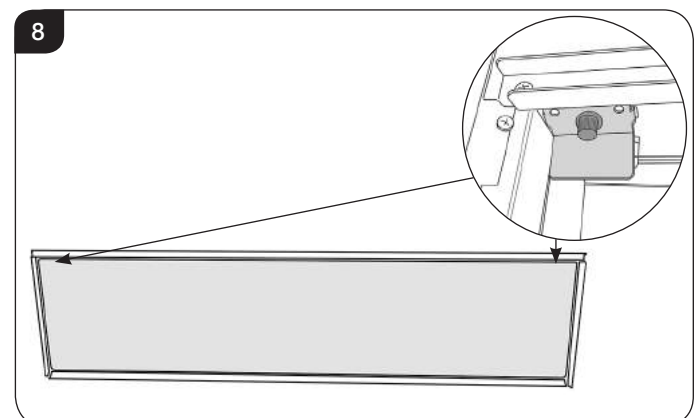
- 3.10 With the decorative trim removed, fit suitable 12mm thick boarding to the wall above, below and to the sides of the appliance.

- 3.11 Finish the chimney breast as desired.



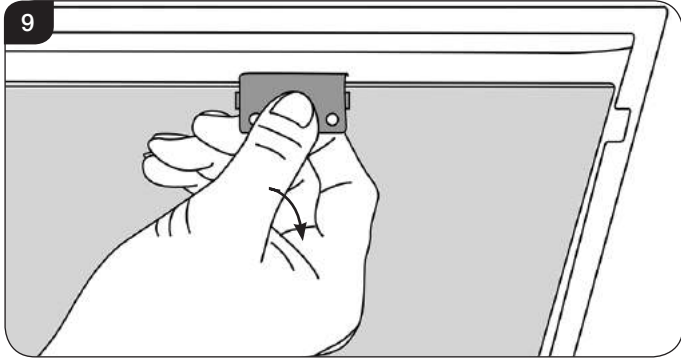
4. Fitting Decorative Stones

- 4.1 To place the decorative stones it will be necessary to remove the glass viewing panel.
4.2 There is a clamp at the top of each corner of the glass viewing panel that secure the glass in place, see Diagram 8. **Take care to support the glass when removing clamps.**



Installation Instructions

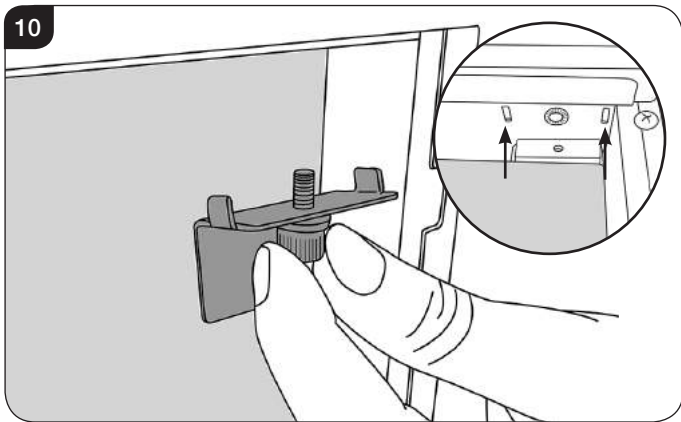
- 4.3 Supporting the glass, loosen and remove the 2 clamps. These can be unscrewed using just finger tips.
- 4.4 Carefully tip the glass forward and lift out of the lower tray to remove from the appliance, see Diagram 9. The clamp can be used to aid removal.



- 4.5 Evenly spread the decorative stones across the fuel bed.

Stone Effect only: Randomly space the clear effect throughout the fuel bed. It is not necessary to use all of the effect supplied.
- 4.6 Replace the glass following the instructions in reverse order.

When replacing the clamps ensure that the tabs on the clamps locate in the slots on the appliance, see Diagram 10.



- 4.7 Replace the decorative trim to finish the installation.

Servicing Instructions

1. Fault Finding

No illumination or uneven lighting:

- 1.1 First change the 13amp fuse for one known to work. If the appliance still does not work, check the socket by plugging in a working appliance. If this too fails to operate, call in a competent electrician to check the socket.
- 1.2 One or more of the LED boards will need replacing. This must be undertaken by a suitably qualified person (see *Servicing Requirements*).

Illumination but no heat:

- 1.3 The safety cut-out has operated to protect against overheating (see *User Instructions, Section 2*). Ensure the air inlet and outlet grilles are free of dust or any other obstruction.
- 1.4 The thermostat control may be set too low. Increase the setting by pressing the thermostat button on the remote control until the heater turns on.

Remote control fails to work:

- 1.5 Check that the batteries are new and correctly fitted. Replace if necessary.
- 1.6 Ensure that the handset is pointed towards the fire.

2. How to wire a plug

To change the plug supplied with this appliance, follow the instructions below. The instructions assume that the wire has been cut.

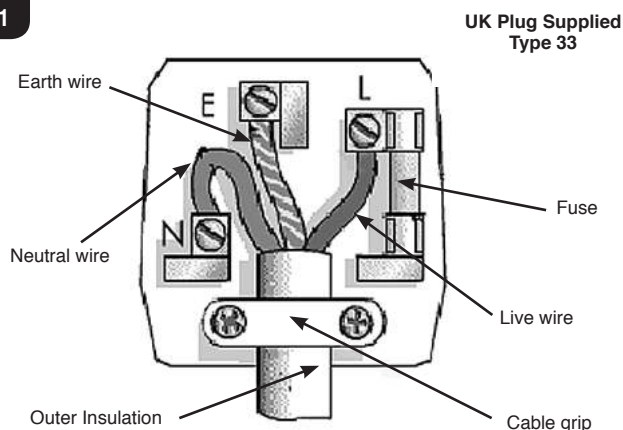


WARNING – FAILURE TO CONNECT THE WIRES CORRECTLY COULD PUT PEOPLE AT RISK FROM ELECTRIC SHOCK OR FIRE. IF IN DOUBT CONSULT A QUALIFIED ELECTRICIAN.

UK Plug

Suitable for use in Cyprus, Malta, Ireland & Great Britain.

1



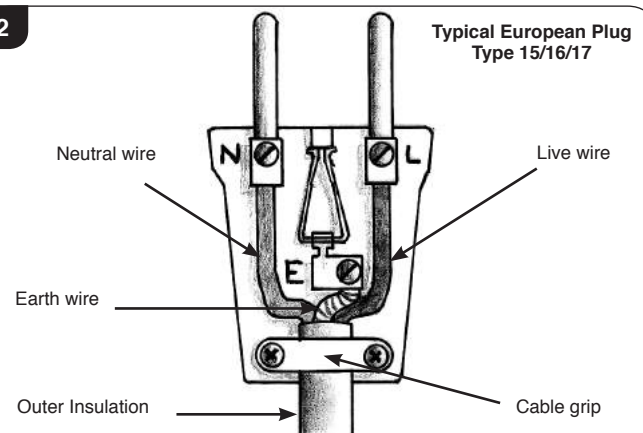
Live Wire	Brown	Terminal L / RED
Neutral Wire	Blue	Terminal N / BLACK
Earth Wire	Green & Yellow Stripes	Terminal E /  / GREEN or GREEN & YELLOW

THIS APPLIANCE MUST BE EARTHED

European Plug

Suitable for use in Austria, Belgium, Bulgaria, Czech Republic, Denmark, Estonia, Finland, France, Greece, Hungary, Germany, Italy, Latvia, Lithuania, Luxembourg, Netherlands, Poland, Portugal, Romania, Slovakia, Slovenia, Spain & Sweden

2



- 2.1 Dispose of the old plug safely. Ensure the new plug is not cracked or chipped.
- 2.2 Expose 4cm of the coloured wires and trim to the correct lengths so that they comfortably reach the correct terminals.
- 2.3 Ensure that the Earth wire has more slack than any of the other wires.
- 2.4 Remove some of the insulation to leave about 1cm of exposed metal core on each wire.
- 2.5 Twist the strands of the wire together.
- 2.6 Loosen the screw heads above each terminal.
- 2.7 Push the metal wire into the hole beneath each screw head or, dependent on plug design, wind the metal wire around the screw.
- 2.8 Ensure that the insulation reaches right up to each terminal as illustrated and there are no loose strands of wire.
- 2.9 Ensure the cable sits correctly under the cable grip and tighten to secure.
- 2.10 Refer to *Technical Specification* for fuse rating and fit the appropriate fuse into the plug.
- 2.11 Attach the plug cover.

Servicing Instructions

3. Servicing Requirements



DURING SERVICING OF THIS APPLIANCE IT MAY BE NECESSARY TO CUT CABLE TIES IN ORDER TO ACCESS AND REMOVE SOME OF THE PARTS. THESE MUST BE REPLACED WHEN REASSEMBLING THE APPLIANCE.

THIS APPLIANCE MUST ONLY BE SERVICED BY A SUITABLY QUALIFIED PERSON.

BEFORE UNDERTAKING ANY WORK ON THE APPLIANCE: SWITCH OFF THE APPLIANCE AT THE MAINS POWER SWITCH AND ISOLATE IT FROM THE MAINS ELECTRICITY SUPPLY.

3.1 Wait for at least 10 minutes until the appliance has cooled down.

3.2 Remote Handset Battery Replacement

Replace with 2 AAA batteries. Make sure the batteries are installed correctly in the remote control.

3.3 Maintenance of Motors

The motor used on the flame effect is pre-lubricated for extended bearing life and requires no further lubrication. However, periodic cleaning/vacuuming of the heater unit is recommended.

3.4 Resetting the Thermal Cutout Switch

The appliance is fitted with an Electronic Safety Control (E.S.). This is a safety device which switches off the fire if, the appliance overheats for any reason e.g. when covered.

If the heater stops operating whilst the flame effect continues normally, this indicates that the E.S. Control is in operation.

The E.S. Control can only be re-set after the appliance has cooled down.

To re-set the E.S.:

Switch off the appliance (Manual On/Off switch) and leave for approximately 10-15 minutes.

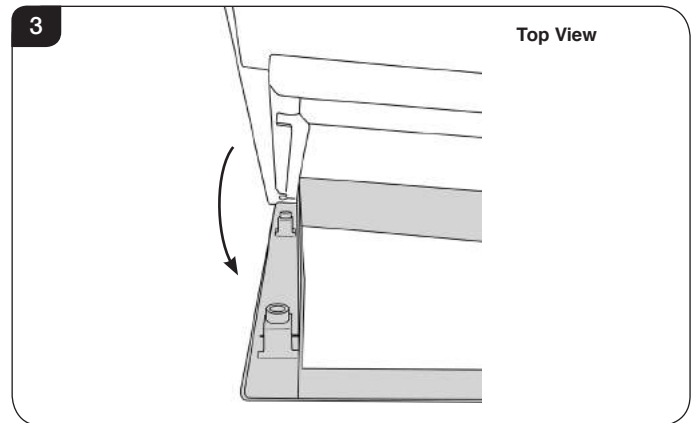
Remove any obstruction to the fan heater outlet or other internal parts.

Switch on appliance and the E.S. Control will re-set. Ensure that the appliance is functioning correctly. If the E.S. Control operates again, the appliance should be checked by a competent Electrician.

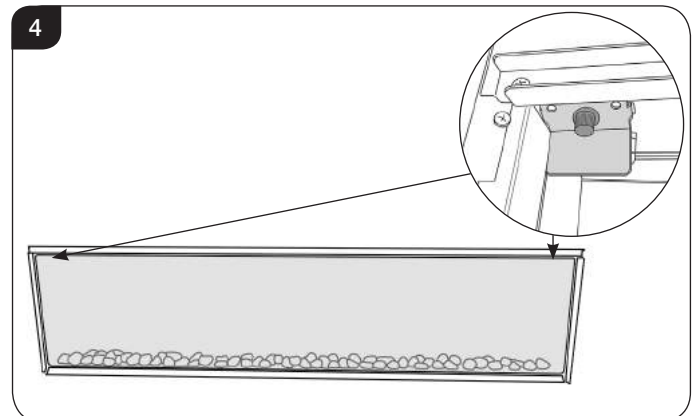
4. Removing the Glass

4.1 To access the internal working parts of the Radiance it will be necessary to remove the glass viewing panel.

4.2 First remove the decorative trim. The trim is held on by magnets. Pull gently forward to remove, see Diagram 3.

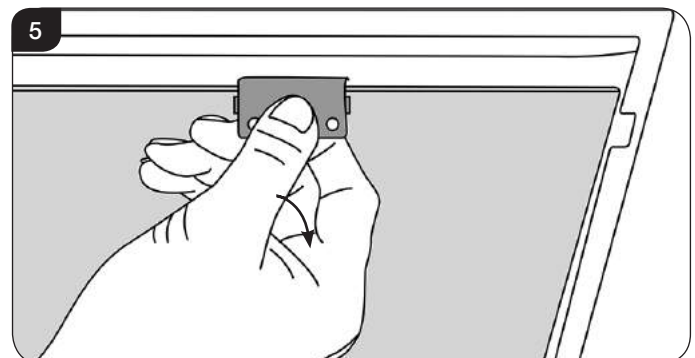


4.3 There is a clamp at the top of each corner of the glass viewing panel that secure the glass in place, see Diagram 4.



4.4 Supporting the glass, loosen and remove the 2 clamps. These can be unscrewed using just finger tips.

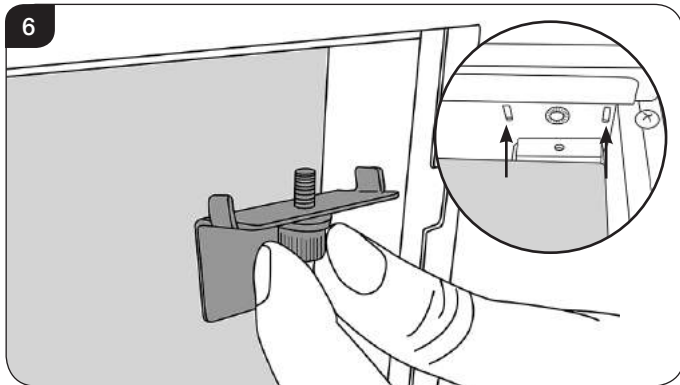
4.5 Carefully tip the glass forward and lift out of the lower tray to remove from the appliance, see Diagram 5. The clamp can be used to aid removal.



Servicing Instructions

- 4.6 Replace the glass following the instructions in reverse order.

When replacing the clamps ensure that the tabs on the clamps locate in the slots on the appliance, see Diagram 6.



- 4.7 Replace the decorative trim.

5. Removing the Effects Screen

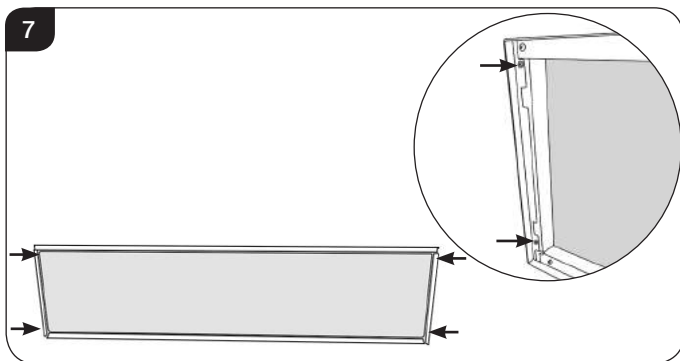
- 5.1 With the glass removed carefully gather up the fuel effect and place to one side.

Note: When replacing the fuel effect ensure that it is evenly spread across the fuel bed.

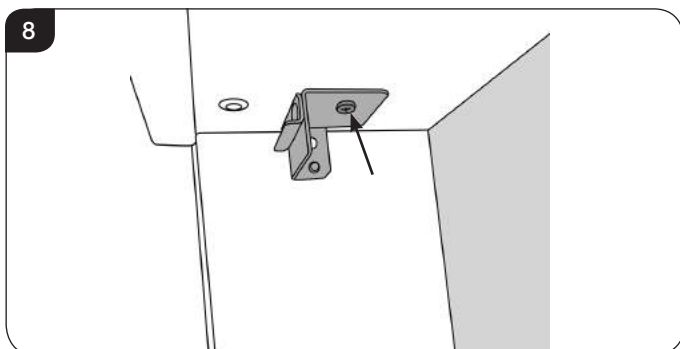
Stone Effect only: Randomly space the clear effect throughout the fuel bed.

- 5.2 To remove the Effects Screen it will be necessary to remove the 2 side brackets.

- 5.3 Remove the 4 screws from the front face of the appliance, see Diagram 7.

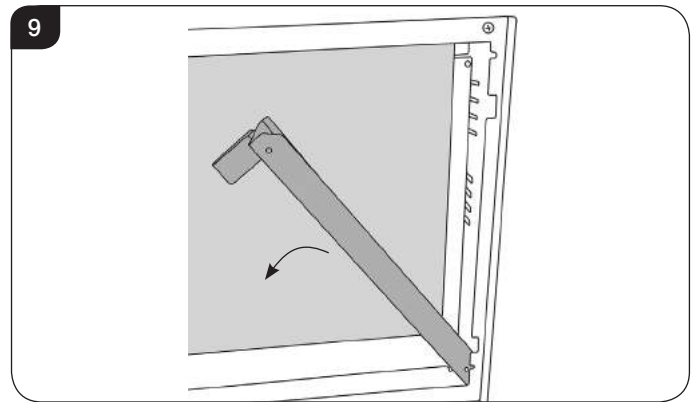


- 5.4 Remove the 2 screws securing the side brackets to the top of the viewing window, see Diagram 8.

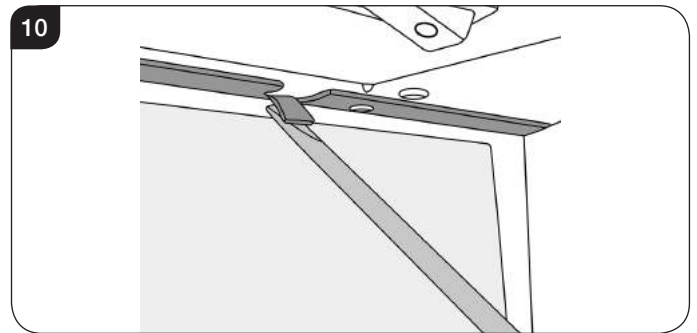


- 5.5 Carefully pull the side brackets down at an angle and pull forward to remove, see Diagram 9.

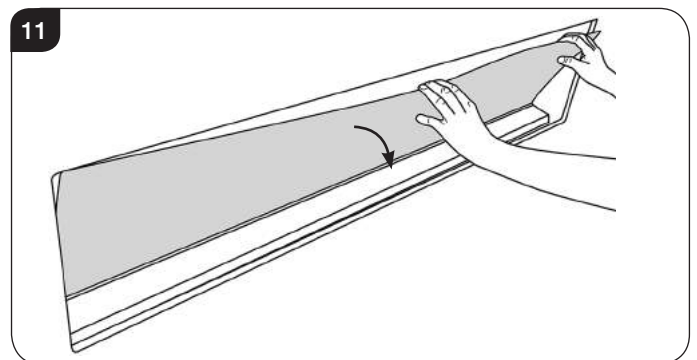
Note: Each bracket will only fit on one side.



- 5.6 Using a flat bladed screwdriver carefully bend the metal tabs at the top of the firebox holding the Effects Screen, see Diagram 10.



- 5.7 Pull the screen forward to release, see Diagram 11.
NOTE: The screen is flexible to bend under the tabs.



- 5.8 Carefully set screen to one side to avoid damage.

- 5.9 Replace in reverse order, ensuring that the screen locates in the bottom channel and behind the top tabs.

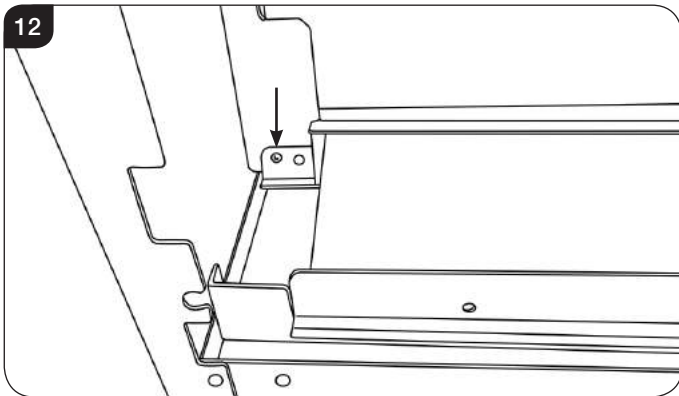
IMPORTANT: When replacing the screen the side with the matt finish must face towards the front of the appliance.

Servicing Instructions

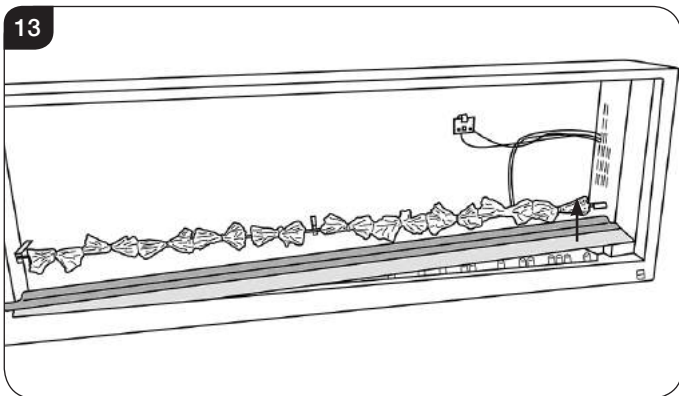
6. Removing the Fuel Bed

With the Glass and Effects screen removed it is possible to remove the fuel bed to access the interior of the appliance and the LED boards.

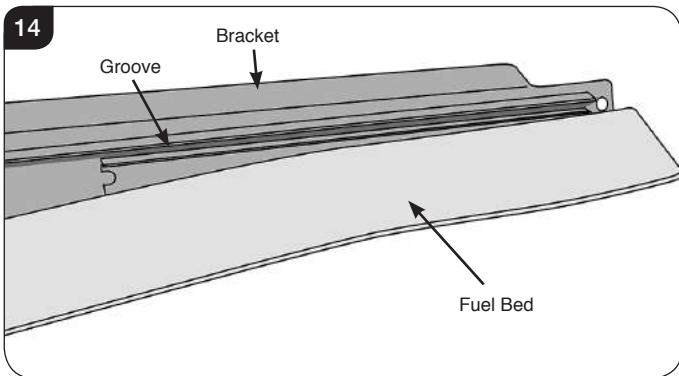
- 6.1 Remove the 2 screws from either side of the fuel bed bracket, see Diagram 12.



- 6.2 The bracket and the fuel bed can now be lifted out of the appliance, see Diagram 13.



- 6.3 Replace in reverse order.
NOTE: The flexible fuel bed locates in a groove in the bracket, see Diagram 14.

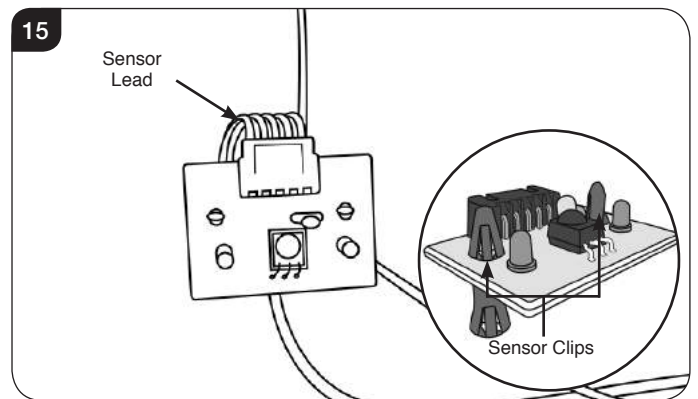


7. Replacing the Remote Sensor

- 7.1 Follow Sections 4 & 5 to access the Remote Sensor.

The Remote Sensor is located at the top of the appliance to the right hand side.

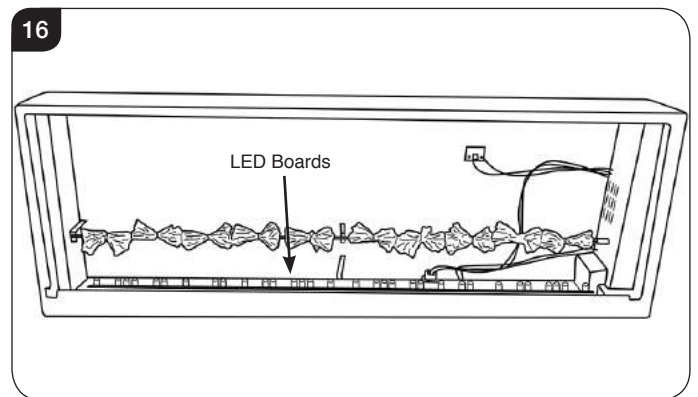
- 7.2 Disconnect the sensor lead and carefully move to one side, see Diagram 15.
7.3 Using a pair of long nosed pliers squeeze the clips that hold the sensor to the back of the appliance in order to release.



- 7.4 Remove the sensor and replace as required.

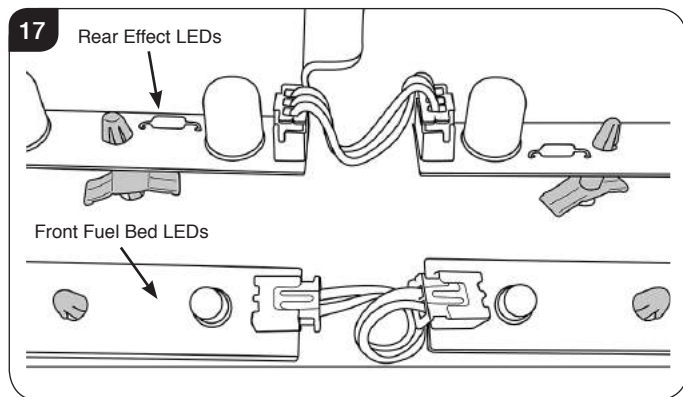
8. Replacing the LED Boards

- 8.1 Follow Sections 4, 5 & 6 to access to the LED boards.
8.2 The LED boards are located at the bottom of the appliance, see Diagram 16.



Servicing Instructions

8.3 The LED boards are coupled together at the end of each board and held in place by clips, see Diagram 17.



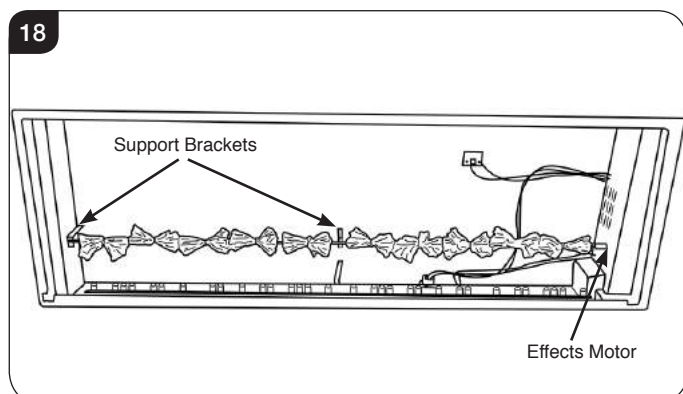
8.4 Unplug the correct LED board and use a pair of long nosed pliers to squeeze the clips and release.

8.5 Fitting a new board is the reverse of this process.

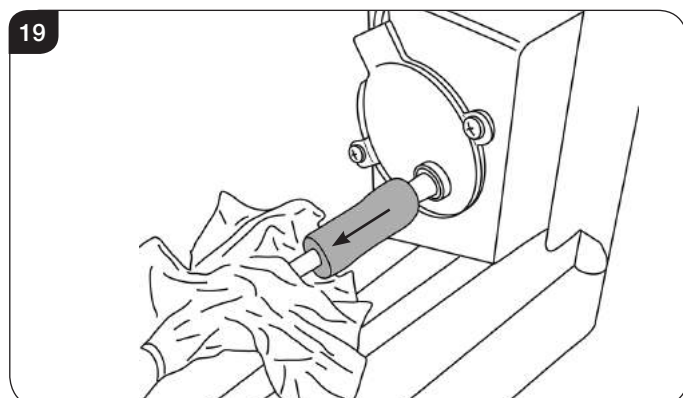
9. Replacing the Effects Spindle

9.1 Follow Sections 4 & 5 to access the Effects Spindle.

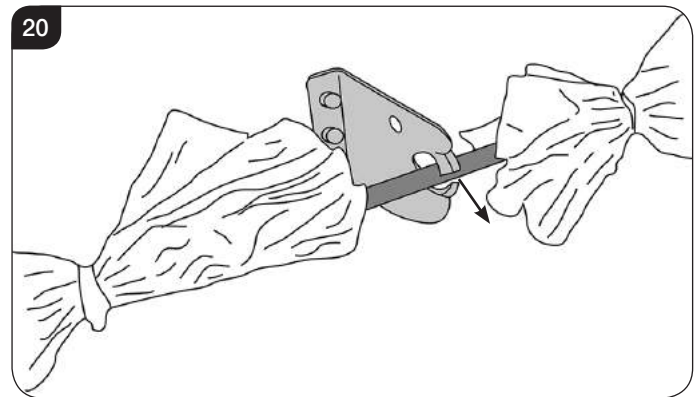
9.2 The Effects Spindle is attached to the Effects Motor and supported in 2 additional places, see Diagram 18.



9.3 The Effects Spindle is attached to the Effects Motor by a rubber sleeve. Pull the rubber sleeve off the Effect Motor axle, see Diagram 19.



9.4 Gently withdraw the spindle from the support brackets at an angle, see Diagram 20.

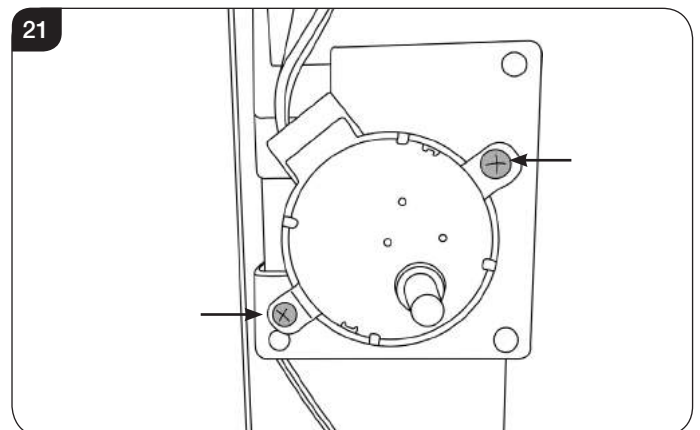


9.5 Replace in reverse order.

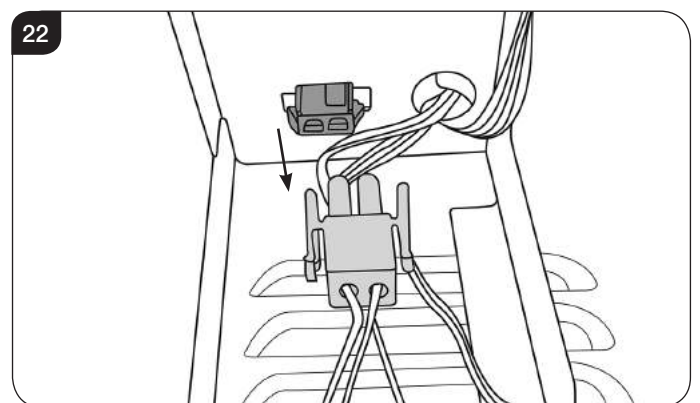
10. Replacing the Effects Motor

10.1 Follow Sections 4, 5 and 6 to access the Effects Motor.

10.2 Remove the 2 screws to release the motor unit, see Diagram 21.



10.3 Disconnect the motor unit from the Control Assembly by squeezing the clips on each side of the plug, see Diagram 22.

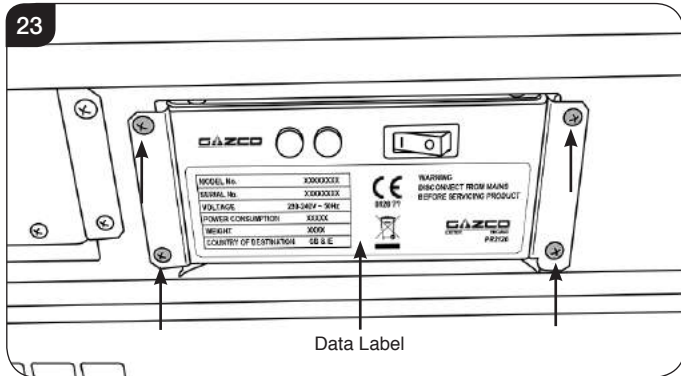


10.4 Replace in reverse order.

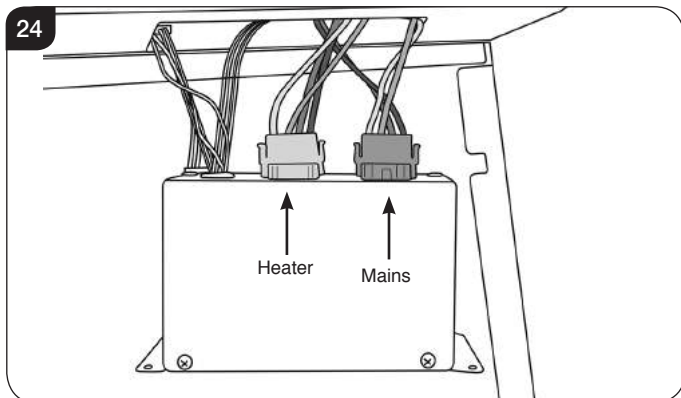
Servicing Instructions

11. Replacing the Power Unit

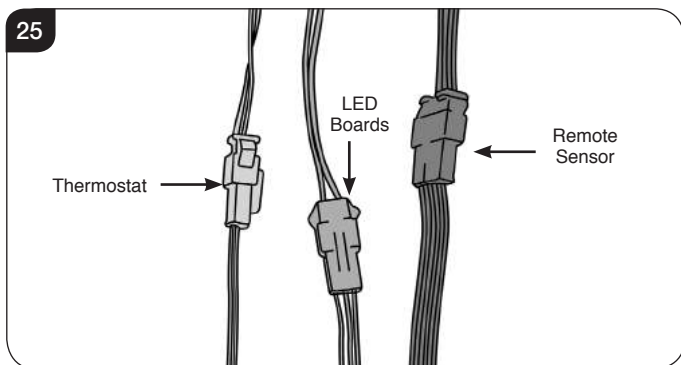
- 11.1 Follow Section 4 to remove the glass.
- 11.2 The Power Unit is held in place by 4 screws, see Diagram 23.



- 11.3 Support the Power Unit and remove the 4 screws.
- 11.4 The Power Unit is attached to the appliance by several cables and wiring looms, see Diagram 24.



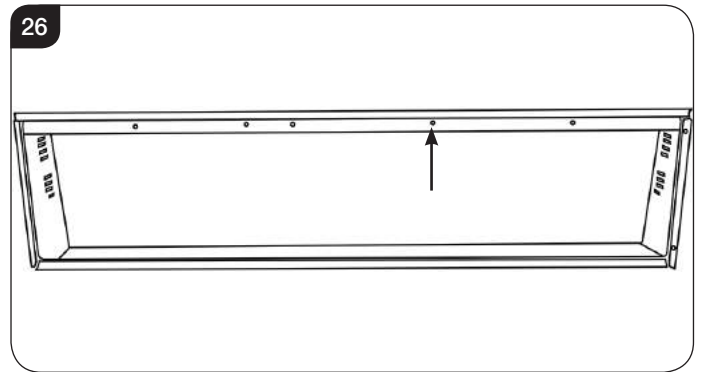
- 11.5 Unclip the 2 wiring looms by squeezing each side of the connectors.
- 11.6 Disconnect the Remote Sensor, LED and the thermostat controls to detach the Power Unit from the appliance, see Diagram 25.



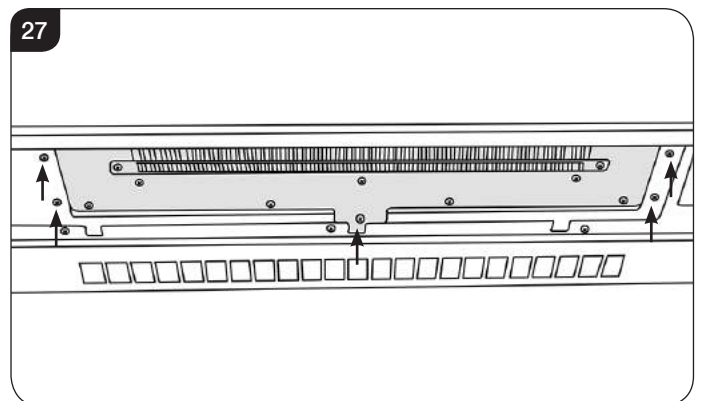
- 11.7 Carefully remove the Data label from the original Power Unit, see Diagram 23 and apply in the same location to the replacement part.
- 11.8 Replace in reverse order.

12. Replacing the Heater Assembly

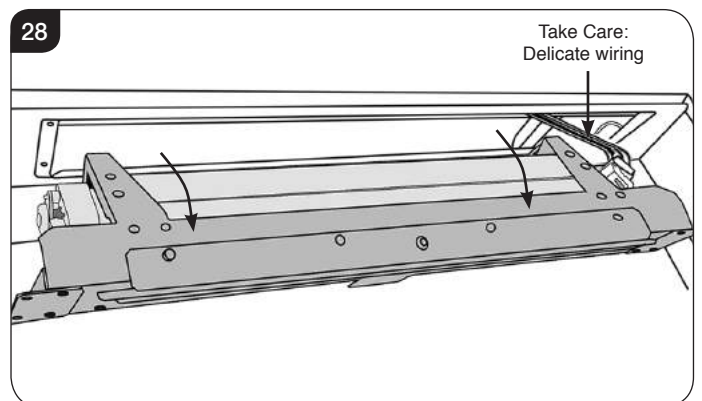
- 12.1 To access the Heater Assembly it will be necessary to remove the glass, see Section 4.
- 12.2 Remove the screw in the front face of the appliance, see Diagram 26.



- 12.3 The Heater Assembly is now held in place by 5 screws at the top of the firebox. Supporting the Heater Assembly remove the screws, see Diagram 27.

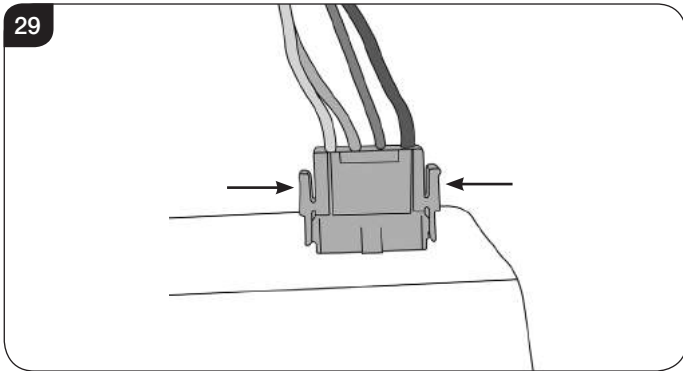


- 12.4 Carefully lower the Heater Assembly. This will require a slight tipping motion to clear the edge, see Diagram 28.
NOTE The Heater Assembly has wires attached.

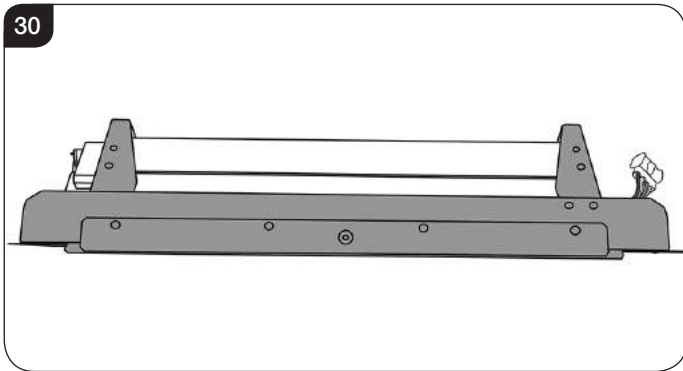


Servicing Instructions

12.5 Disconnect the Heater Assembly from the appliance, by squeezing each side of the connector, see Diagram 29.

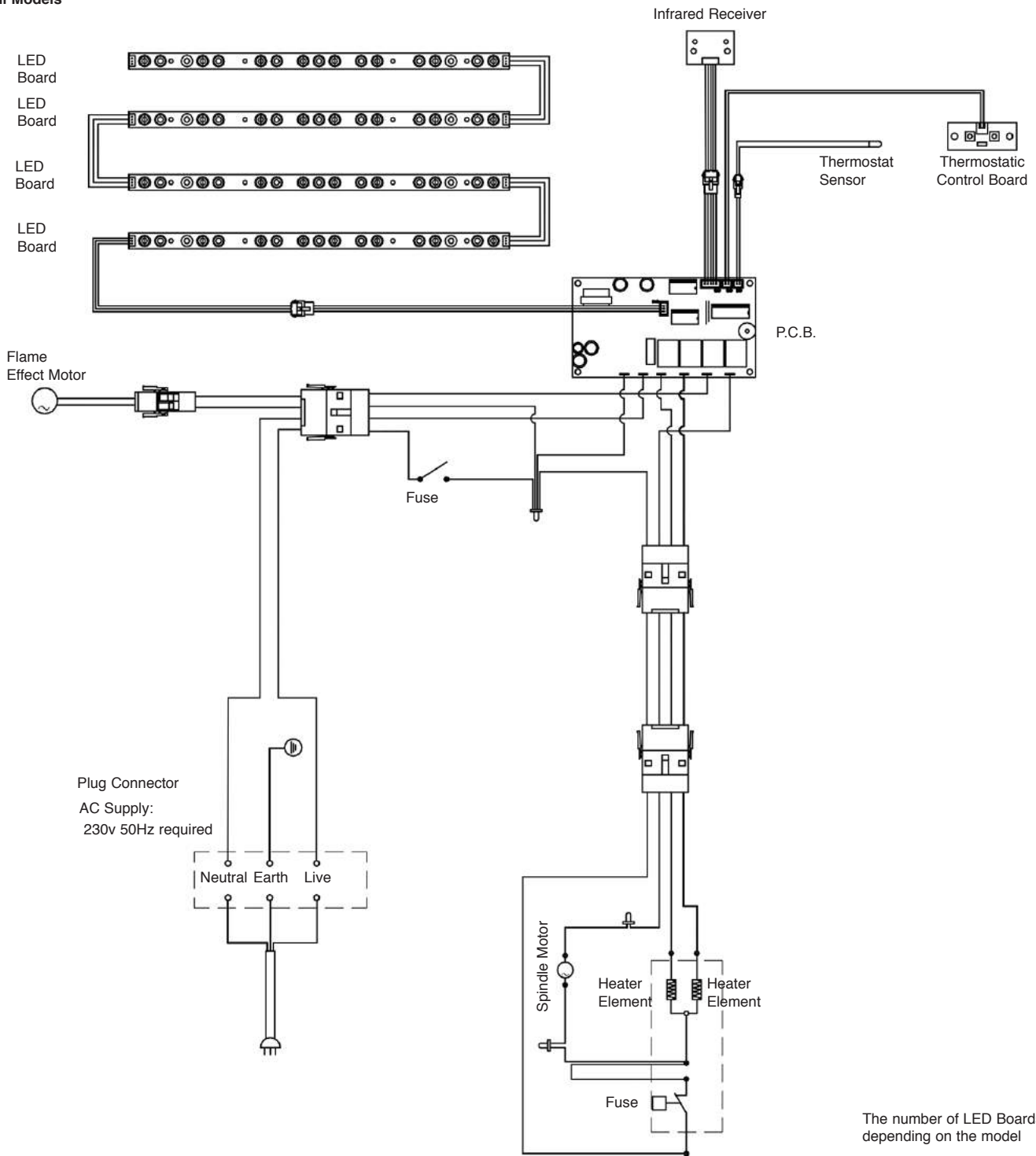


12.6 Replace the Heater Assembly, see Diagram 30.

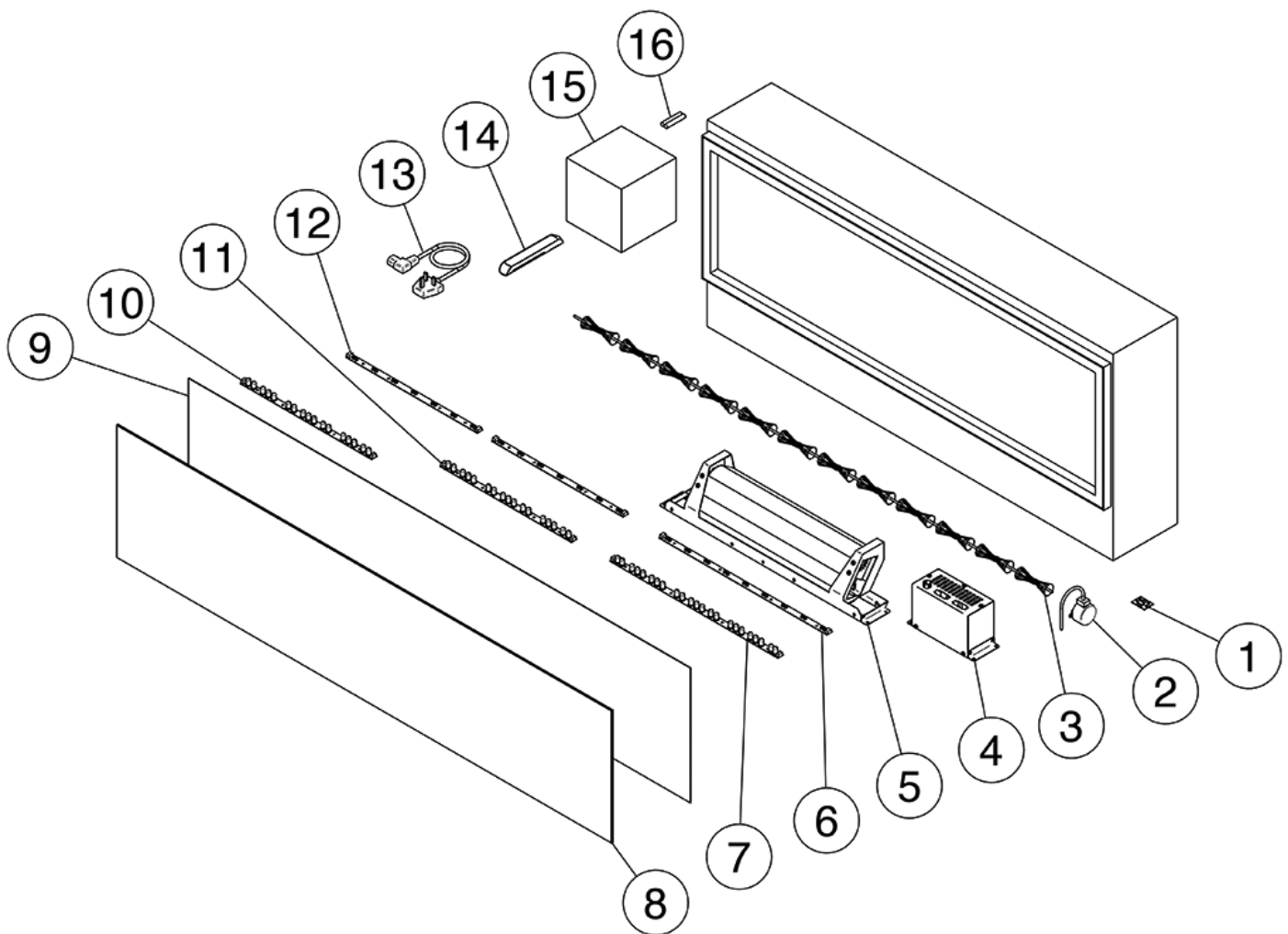


Wiring Diagrams

All Models



Spare Parts List



No.	Component	Radiance 85R		Radiance 105R		Radiance 135R		Radiance 195R	
		Part Code	Quantity	Part Code	Quantity	Part Code	Quantity	Part Code	Quantity
1	IR Receiver PCB	EL0631	1	EL0631	1	EL0631	1	EL0631	1
2	Motor With Connecting Plug	EL0632	1	EL0632	1	EL0632	1	EL0632	1
3	Effect Spindle	PL0174	1	PL0175	1	PL0177	1	PL0176	1
4	Power Unit (PCB & Manual Controls)	EL0637	1	EL0637	1	EL0637	1	EL0637	1
5	Heater Unit (Fan, Element & Cables)	EL0636	1	EL0636	1	EL0636	1	EL0636	1
6	Fuel Bed LED Board	EL0622	2	EL0623	2	EL0623	3	EL0623	1
7	Effect LED Board	EL0639	1	EL0640	1	EL0621	3	EL0621	1
8	Front Glass Panel	CE1512	1	CE1513	1	CE1516	1	CE1514	1
9	Main Front Screen (Effects Screen)	PL0170	1	PL0171	1	PL0173	1	PL0172	1
10	Effect LED Board	EL0620	1	EL0621	1	EL0639	1	EL0620	1
11	Effect LED Board	-	-	-	-	-	-	EL0639	1
12	Fuel Bed LED Board	-	-	-	-	EL0622	1	EL0622	2
13	Power Cable (Right Angle Plug)	EL0522	1	EL0522	1	EL0522	1	EL0522	1
14	Remote Handset	EL0618	1	EL0618	1	EL0618	1	EL0618	1
15	Fuel Effect (White Stones & Clear Resin Stones)	CE1516	1	CE1516	1	CE1516	1	CE1516	1
16	Handset Battery	EL0062	2	EL0062	2	EL0062	2	EL0062	2

Gazco Limited, Osprey Road, Sowton Industrial Estate, Exeter, Devon, England EX2 7JG
Technical Customer Services (01392) 261950 Fax: (01392) 261951
E-mail: technicalservices@gazco.com

A member of the Stovax Group

E & O E